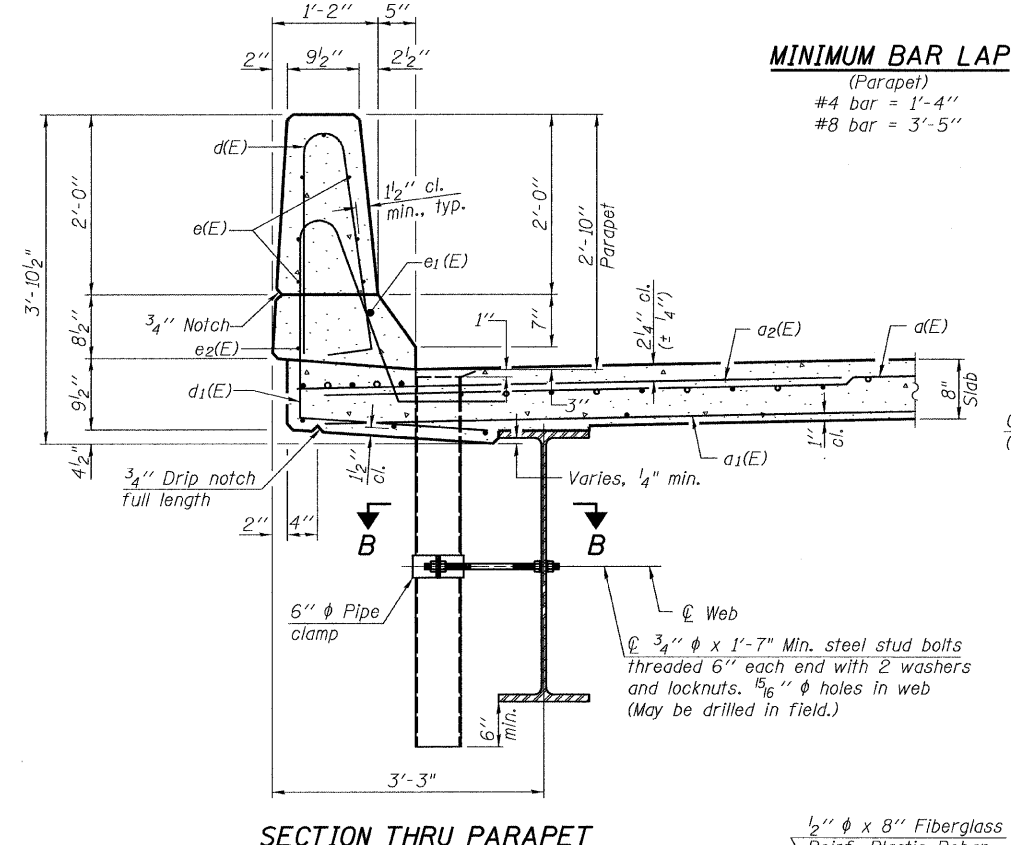
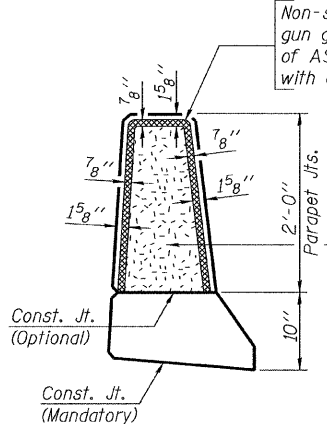


INSIDE ELEVATION OF PARAPET



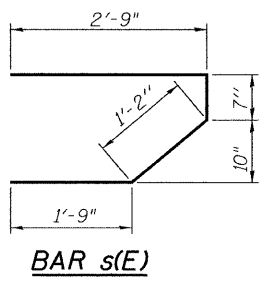
SECTION THRU PARAPET

MINIMUM BAR LAP
(Parapet)
#4 bar = 1'-4"
#8 bar = 3'-5"

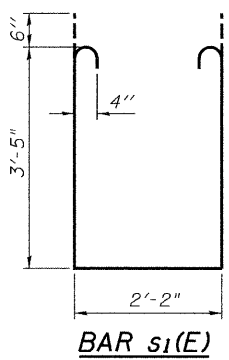


PARAPET JOINT DETAILS

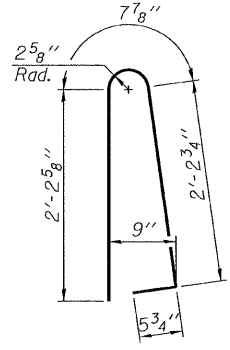
Notes:
The exterior surfaces of the floor drains shall be painted with the finish coat as specified in the special provisions for Cleaning and Painting New Metal Structures. The exterior surfaces of the drains shall be cleaned according to Steel Structures Painting Council's Spec. SSPC-SP1 prior to painting. Floor drains shall be located clear of all diaphragms. Fiberglass pipe shall conform to ASTM D 2996, with short-time rupture strength hoop tensile stress of 30,000 p.s.i. minimum.



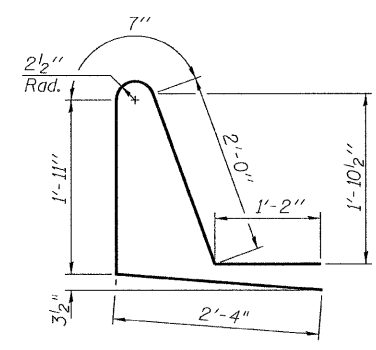
BAR s(E)



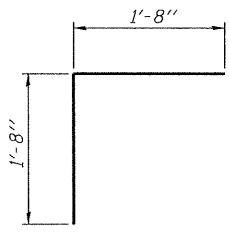
BAR s1(E)



BAR d(E)



BAR d1(E)



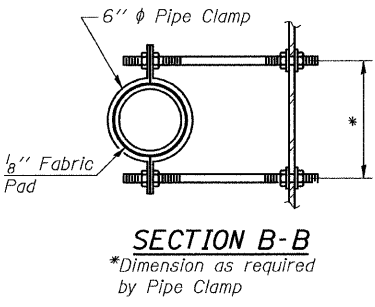
BAR v(E)

SUPERSTRUCTURE BILL OF MATERIAL

Bar	No.	Size	Length	Shape
a(E)	372	#5	20'-11"	—
a1(E)	228	#5	20'-9"	—
a2(E)	372	#6	6'-0"	—
b(E)	138	#5	29'-6"	—
b1(E)	144	#5	22'-6"	—
d(E)	188	#5	5'-7"	⌋
d1(E)	188	#5	8'-0"	⌋
e(E)	70	#4	16'-9"	—
e1(E)	6	#8	30'-6"	—
e2(E)	6	#4	29'-3"	—
m(E)	8	#6	20'-4"	—
m1(E)	12	#6	21'-3"	—
m2(E)	24	#6	8'-11"	—
m3(E)	8	#6	7'-0"	—
m4(E)	4	#6	2'-11"	—
m5(E)	4	#6	3'-4"	—
s(E)	92	#5	6'-3"	⌋
s1(E)	84	#4	10'-0"	⌋
v(E)	80	#5	3'-4"	⌋
Reinforcement Bars, Epoxy Coated	Pound		30590	
Concrete Superstructure	Cu. Yds.		144.2	
Bar Splicers	Each		396	

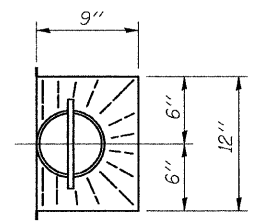
Bars indicated thus 1 x 3-#5 etc. indicates 1 line of bars with 3 lengths per line.

SUPERSTRUCTURE DETAILS
U.S. ROUTE 45 OVER MARTIN CREEK
F.A.P. RT. 328 SEC. (9BR1-10BR1) B-1
WAYNE COUNTY
STATION 139+10.00
STRUCTURE NO. 096-0069

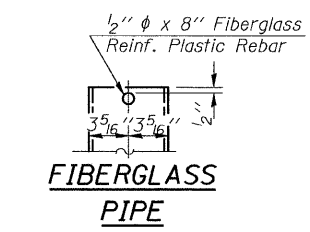


SECTION B-B

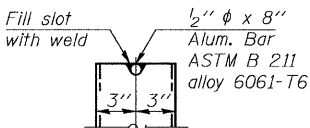
*Dimension as required by Pipe Clamp



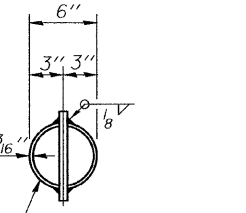
TOP PLAN



FIBERGLASS PIPE



ALUMINUM TUBE



TOP PLAN (Showing Aluminum Tube)

PLT DATE = 08/06/2008
PLT NAME = ...
PLT SCALE = ...
USER NAME = TFC

S-I-D 9-3-07

COOMBE-BLOXDORF P.C. Engineers / Land Surveyors Springfield, Illinois Design Firm License No. 184-002703	PROJECT NO. 07053-8 SCALE DATE 8/05/08 DRAWN BY TFG CHECKED BY CME/RM/MCB	SHEET NO. 9	F.A.P. RTE. 328	SECTION (9BR1-10BR1) B-1	COUNTY WAYNE	TOTAL SHEETS 67	SHEET NO. 32
		17 SHEETS	CONTRACT NO. 74214		FED. ROAD DIST. NO. 7 ILLINOIS FED. AID PROJECT		