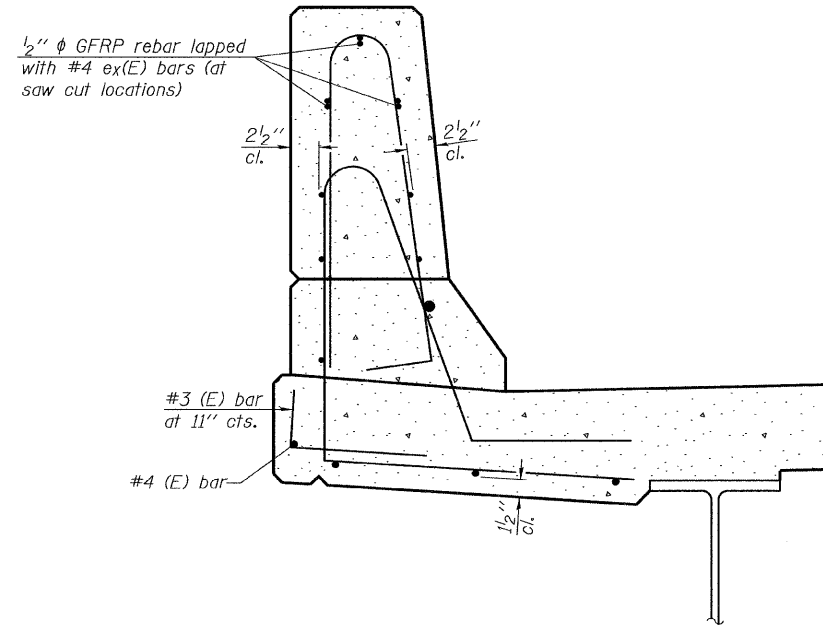
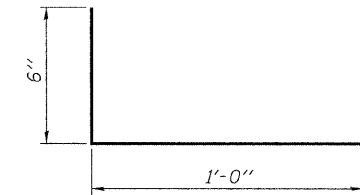


SECTION
(Showing dimensions)

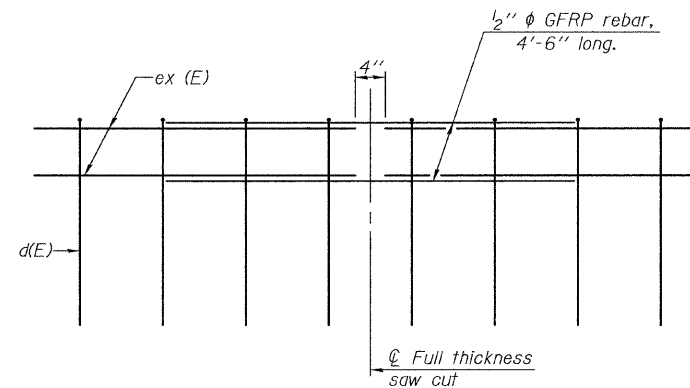


SECTION
(Showing reinforcement clearances for slip forming and additional reinforcement bars)

GENERAL NOTES
All dimensions shall remain the same as shown on contract plans, except dimensions A and B which are to be revised as shown to provide additional clearance. Additional concrete needed to revise dimension A and B= 0.0165 cu. yds./ft. of parapet.
Place aluminum sheet in curb portion at and near piers. Full thickness saw cut at all joint locations in lieu of cork joint filler.



#3 (E) BAR



GFRP REBAR STIFFENING DETAIL

(Place as shown in parapet section at each parapet joint location.)

CONCRETE PARAPET SLIPFORMING OPTION
U.S. ROUTE 45 OVER MARTIN CREEK
F.A.P. RT. 328 SEC. (9BR1-10BR1) B-1
WAYNE COUNTY
STATION 139+10.00
STRUCTURE NO. 096-0069

COOMBE-BLOXDORF P.C.
Engineers / Land Surveyors
Springfield, Illinois
Design Firm License No. 184-002703

PROJECT NO. 07053-B
SCALE
DATE 8/05/08
DRAWN BY TFG
CHECKED BY RM/MCB

SHEET NO. 11
17 SHEETS

| | | | | |
|---|------------------|--------|--------------|-----------|
| F.A.P. RTE. | SECTION | COUNTY | TOTAL SHEETS | SHEET NO. |
| 328 | (9BR1-10BR1) B-1 | WAYNE | 67 | 34 |
| CONTRACT NO. 74214 | | | | |
| FED. ROAD DIST. NO. 7 ILLINOIS FED. AID PROJECT | | | | |

PLOT DATE = 08/06/2008
PLOT NAME = 096-0069-11.dgn
PLOT SCALE = 1/8" = 1'-0"
USER NAME = TFG

SFP-34

5-16-08