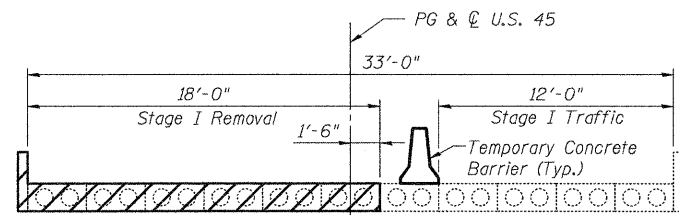
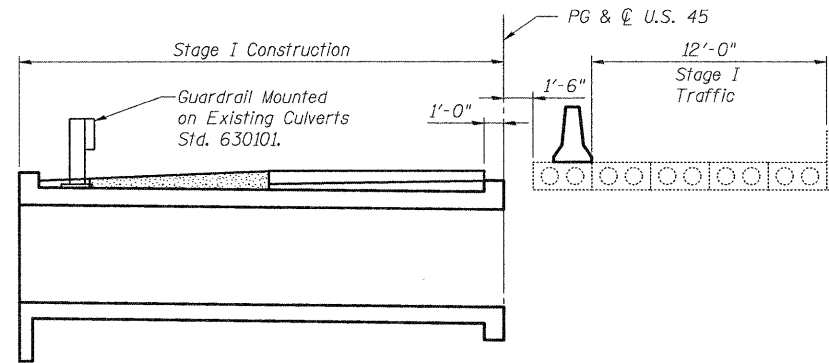


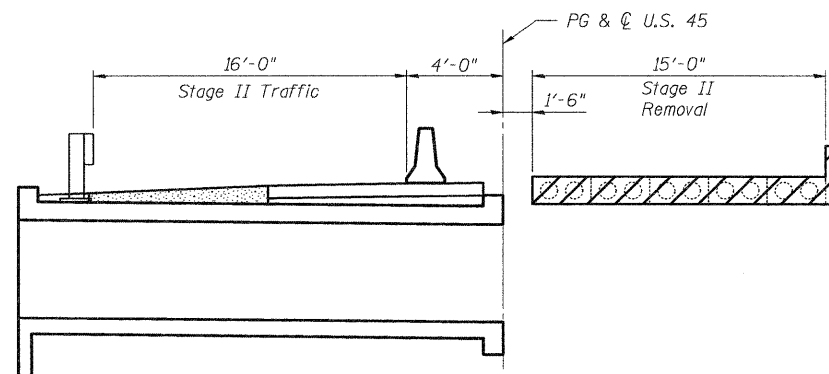
STATE OF ILLINOIS  
DEPARTMENT OF TRANSPORTATION



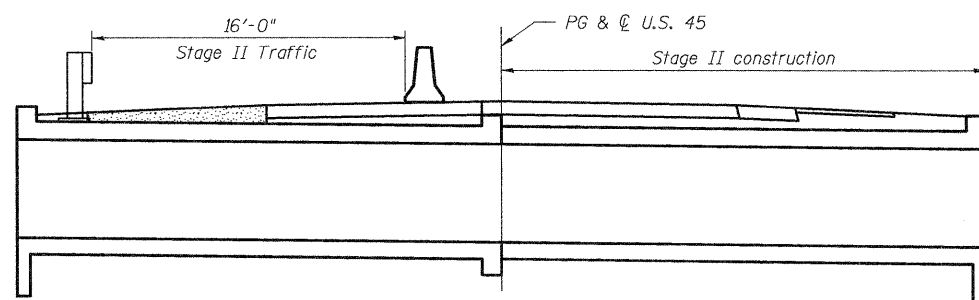
**STAGE I REMOVAL**



**STAGE I CONSTRUCTION**

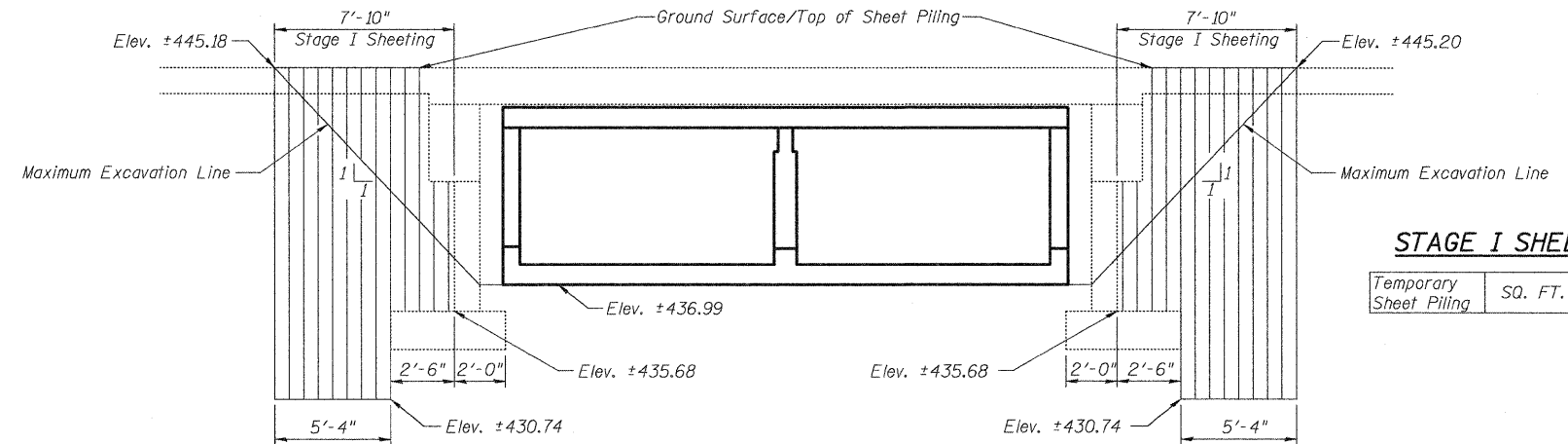


**STAGE II REMOVAL**



**STAGE II CONSTRUCTION**

Notes:  
 Stage I Traffic is based on the 9/4/2007 Damage Inspection Report.  
 All dimensions are at RT. L's except as noted.  
 All sections shown are looking up station.  
 For details of Temporary Barrier see Sheet 3 of 9.  
 Hatched area indicates Removal of Existing Structures.  
 For quantities of Temporary Concrete Barrier See Roadway Plans.  
 Stage I Temporary Sheet piling is to be incorporated in Stage II construction.  
 If the Contractor chooses to alter the temporary cantilevered sheet piling design requirements shown on the plans, a design submittal including plan details and calculations will be required for review and acceptance by the Engineer.  
 The Contractor shall connect the first sheet to the existing abutment wall to ensure stability of sheets driven to the top of the existing footing. This connection shall be reviewed and accepted by the Engineer and included in the cost for Temporary Sheet Piling.

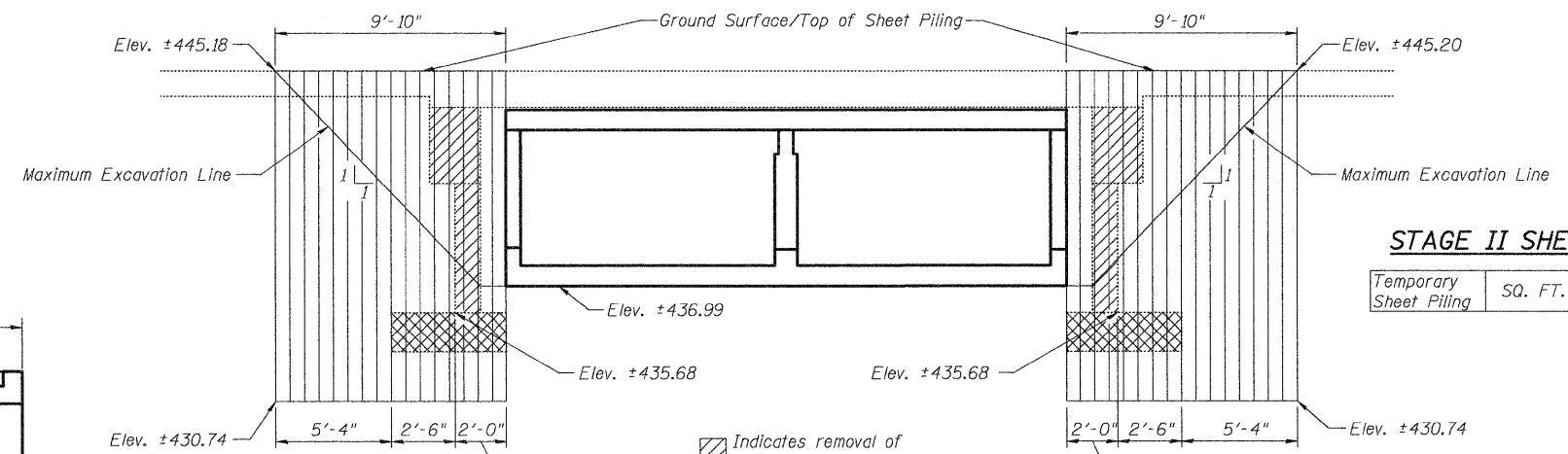


**STAGE I TEMPORARY SHEET PILING DETAILS**

Looking Downstream

**STAGE I SHEETING**

Temporary Sheet Piling	SQ. FT.	195.4
------------------------	---------	-------



**STAGE II TEMPORARY SHEET PILING DETAILS**

Looking Downstream

**STAGE II SHEETING**

Temporary Sheet Piling	SQ. FT.	128.5
------------------------	---------	-------

**STAGE CONSTRUCTION DETAILS  
U.S. 45 OVER BRANCH OF ELM RIVER  
STATION 507+50.00**

DESIGNED	C.J.F.
CHECKED	B.B.
DRAWN	J.G.
CHECKED	C.J.F., B.B.



**BERNARDIN  
LOCHMUELLER &  
ASSOCIATES, INC.**

3 Oak Drive  
Maryville, IL 62062-5635  
Local (618) 288-4665  
Fax 618-288-4666

SHEET NO. 2 9 SHEETS	F.A.P. RTE.	SECTION	COUNTY	TOTAL SHEETS	SHEET NO.
	328	(9BR1,10BR1) B-1	WAYNE	67	42
SN 096-2012			CONTRACT NO. 74214		
FED. ROAD DIST. NO. 7 ILLINOIS FED. AID PROJECT					