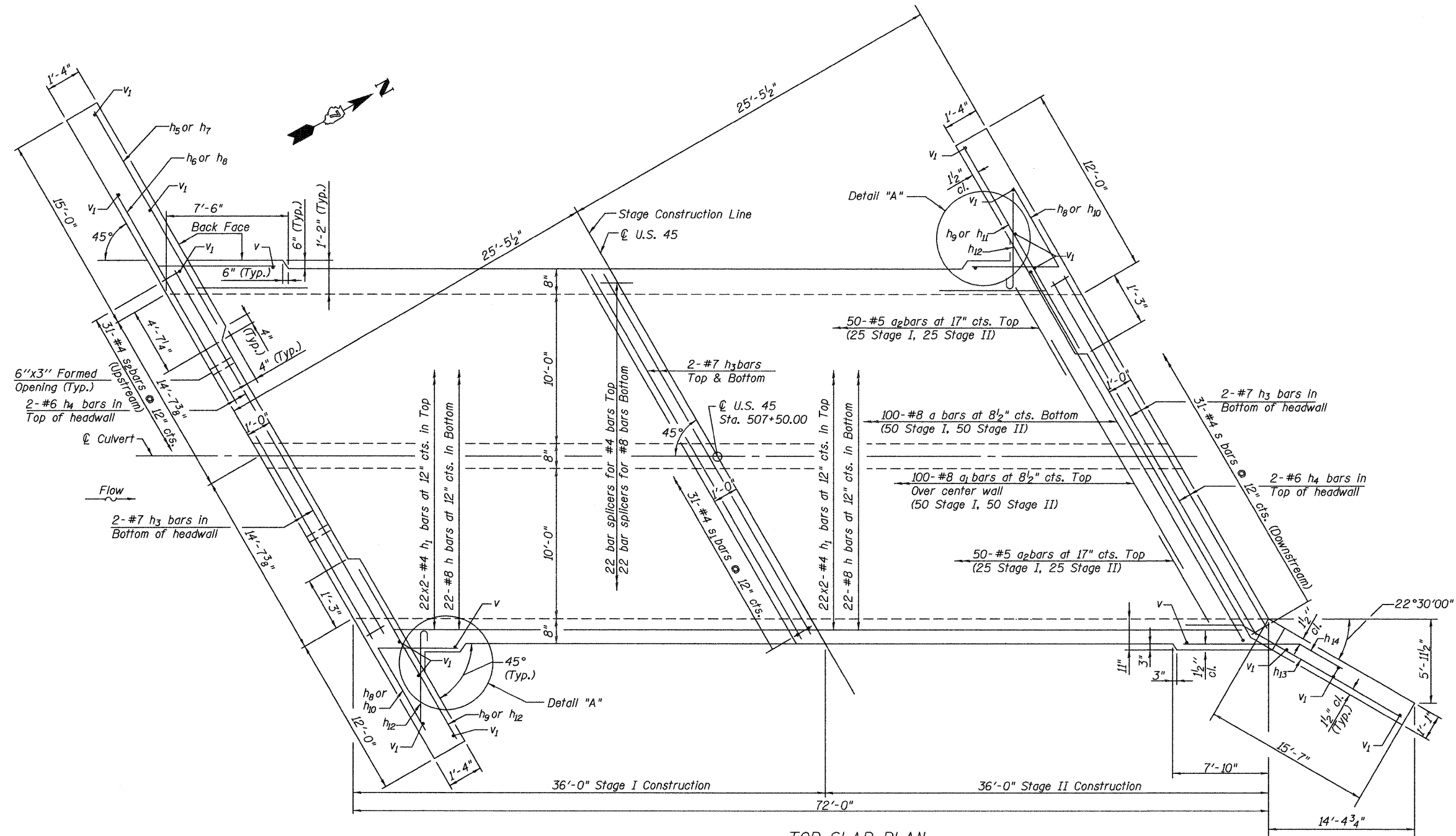


STATE OF ILLINOIS
DEPARTMENT OF TRANSPORTATION



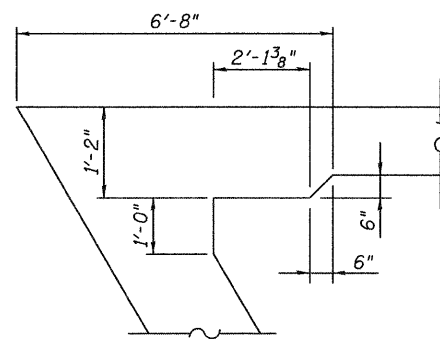
TOP SLAB PLAN

Notes:
For details of bar splicers see sheet 8 of 9.
22x2 indicates 22 lines of bars with 2 bars per line.
For wing wall details see sheet 6 of 9.

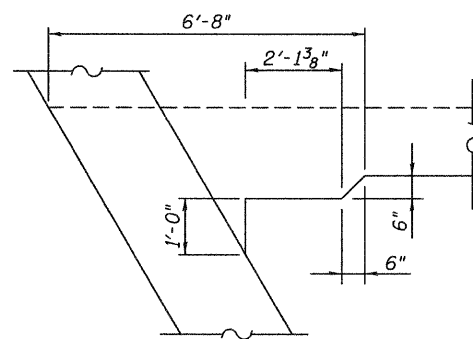
MIN. LAP
#4 bar=1'-0"

CULVERT DETAILS-TOP SLAB
U.S. 45 OVER BRANCH OF ELM RIVER
STATION 507+50.00

DESIGNED	C.J.F.
CHECKED	B.B.
DRAWN	J.G.
CHECKED	C.J.F., B.B.



Detail "A"
(through sidewall)



Detail "A"
(at headwall)



**BERNARDIN
LOCHMUELLER &
ASSOCIATES, INC.**

3 Oak Drive
Maryville, IL 62062-5635
Local (618) 286-4865
Fax 618-286-4666

SHEET NO. 4 9 SHEETS	F.A.P. RTE.	SECTION	COUNTY	TOTAL SHEETS	SHEET NO.
	328	(9BR1,10BR1) B-1	WAYNE	67	44
SN 096-2012			CONTRACT NO. 74214		
FED. ROAD DIST. NO. 7 ILLINOIS FED. AID PROJECT					