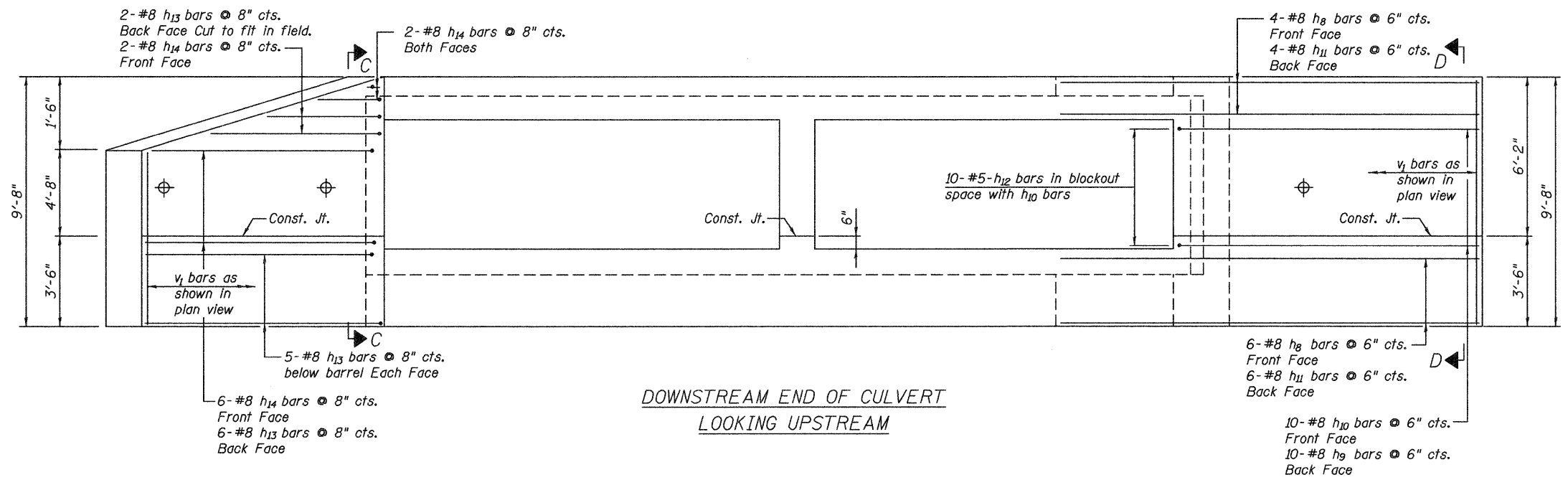
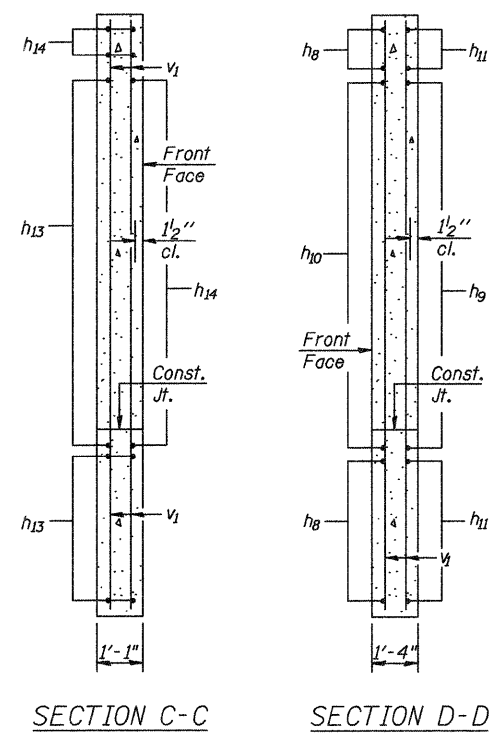
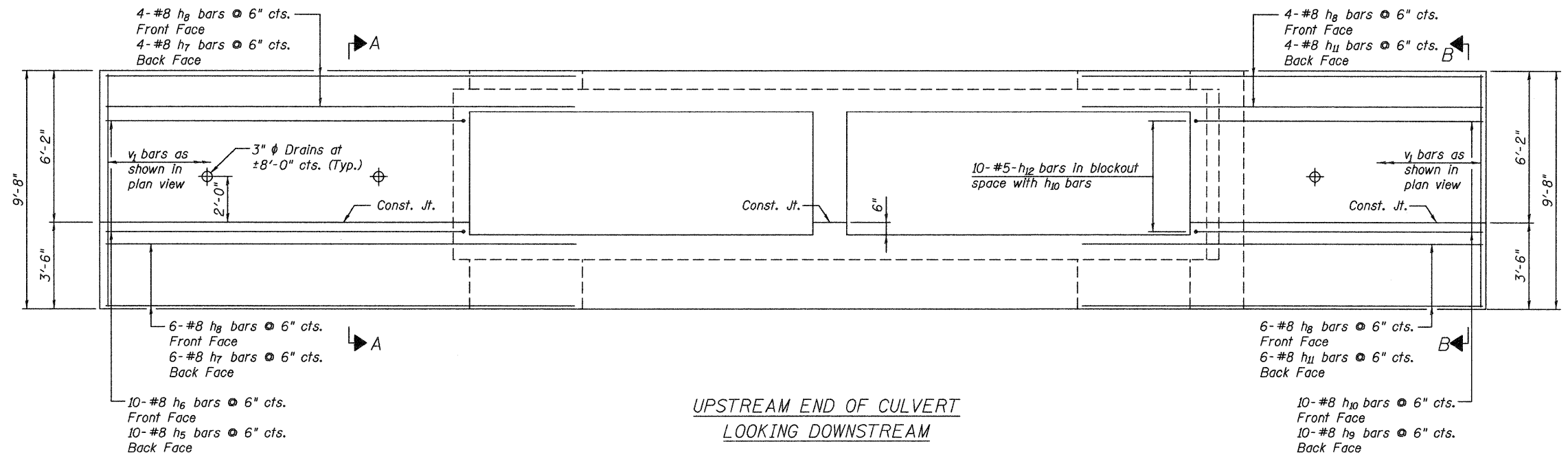
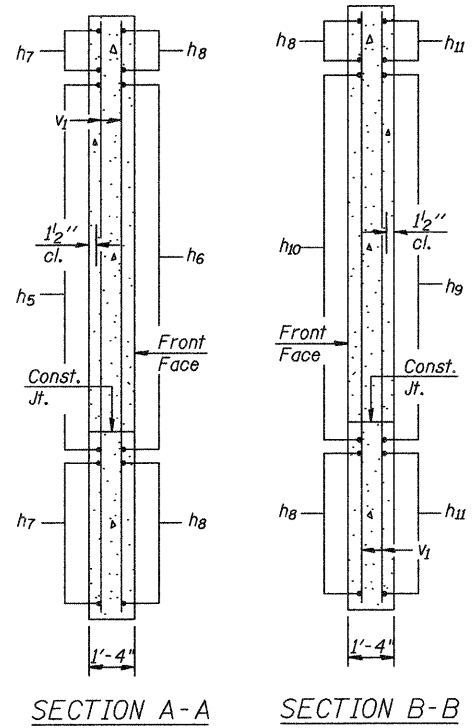


STATE OF ILLINOIS
DEPARTMENT OF TRANSPORTATION



Note:
For location of v1 bars See Sheet 4 of 9.

CULVERT DETAILS-WINGWALL
U.S. 45 OVER BRANCH OF ELM RIVER
STATION 507+50.00

DESIGNED	C.J.F.
CHECKED	B.B.
DRAWN	J.G.
CHECKED	C.J.F., B.B.

BERNARDIN LOCHMUELLER & ASSOCIATES, INC.
3 Oak Drive
Maryville, IL 62062-3635
Local (618) 238-4655
Fax 618-288-4666

SHEET NO. 6 9 SHEETS	F.A.P. RTE. 328	SECTION (9BR1,10BR1) B-1	COUNTY WAYNE	TOTAL SHEETS 67	SHEET NO. 46
	SN 096-2012		CONTRACT NO. 74214		
FED. ROAD DIST. NO. 7 ILLINOIS FED. AID PROJECT					

25/524 PM 8/1/2008 \$FILE\$

...:\p09s\0962012\74214.dgn 9/7/2008 2:51:24 PM