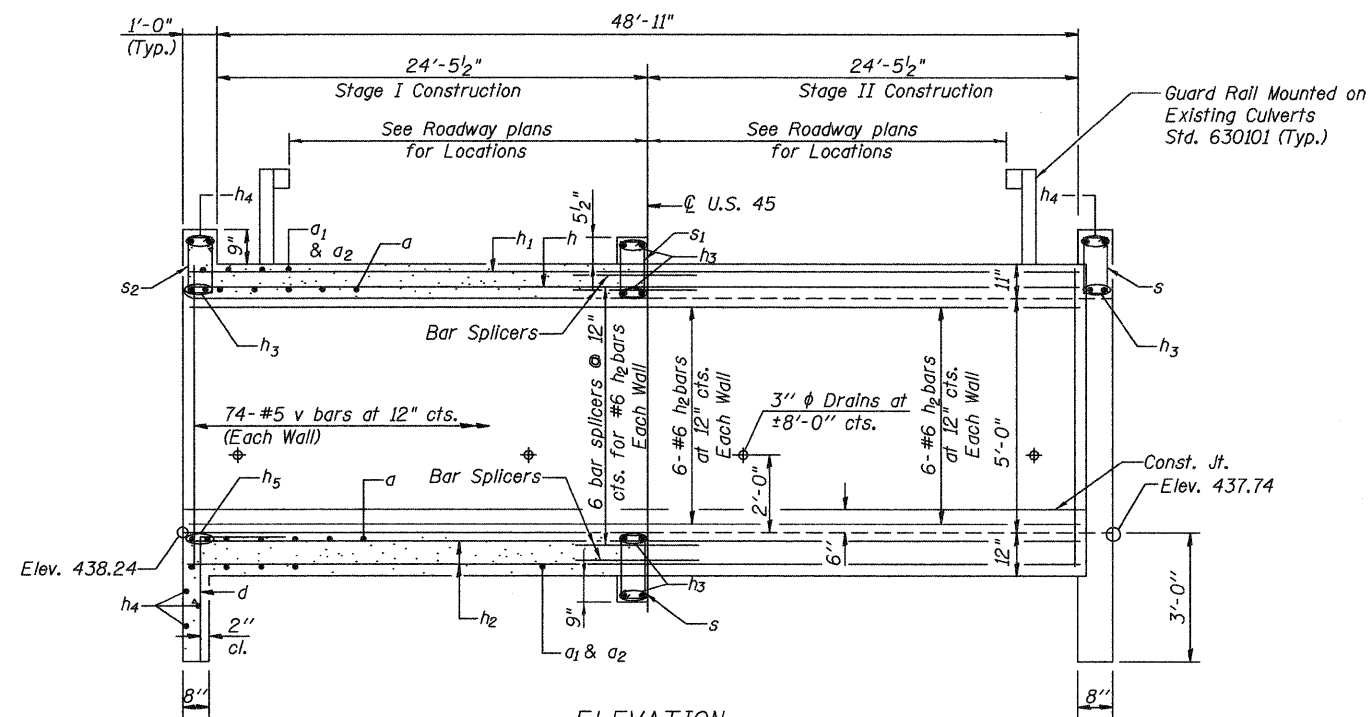
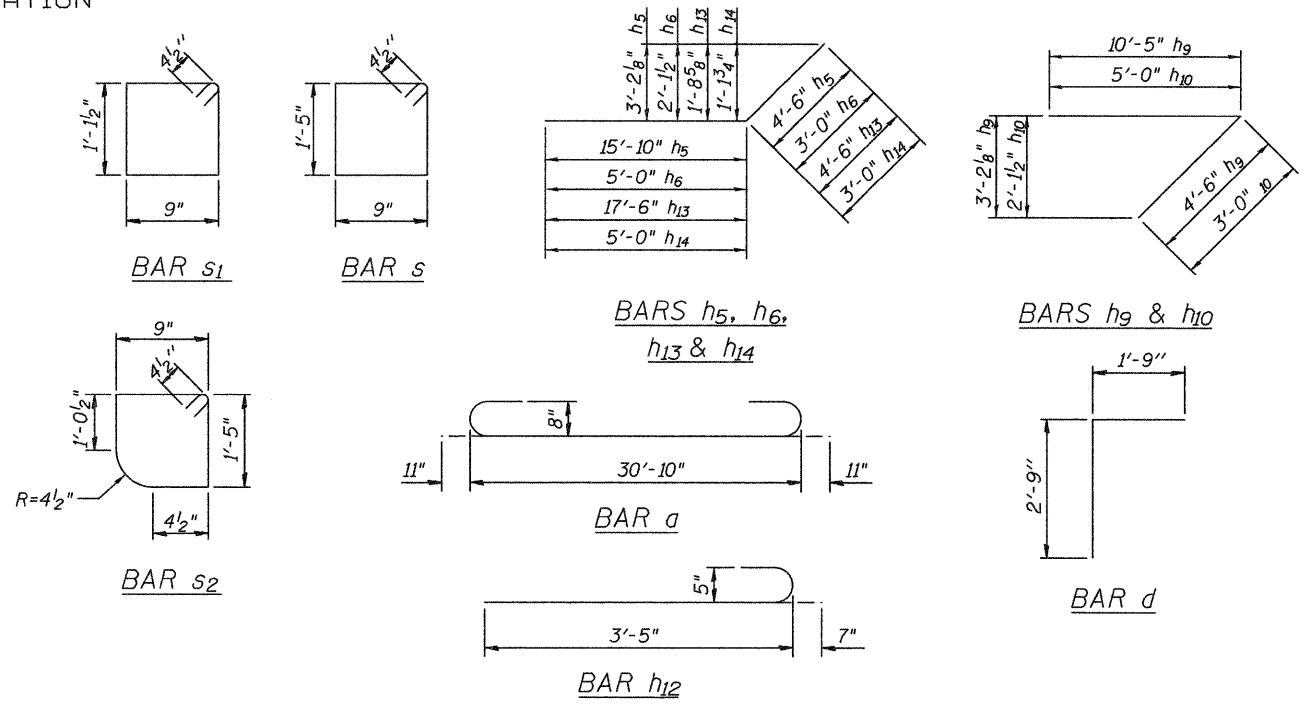


STATE OF ILLINOIS
DEPARTMENT OF TRANSPORTATION

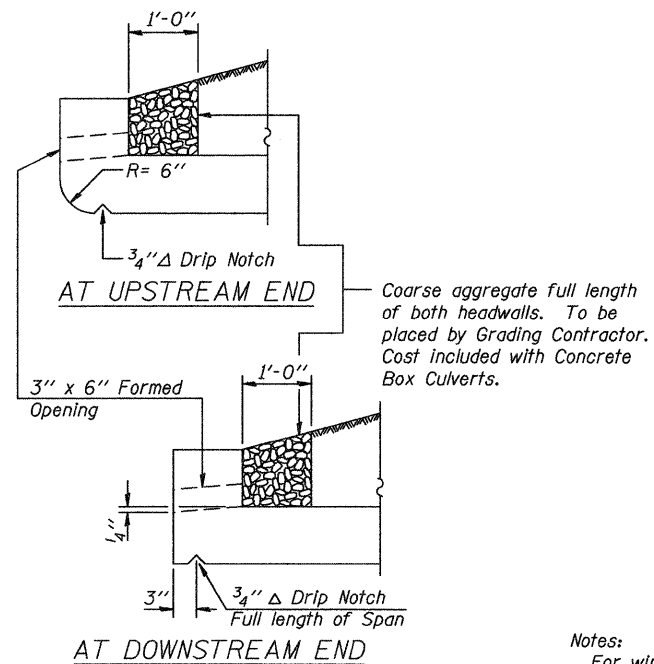


ELEVATION
Dimensions are at right angles to \varnothing Roadway
Wingwalls not shown for clarity.
(Looking West)

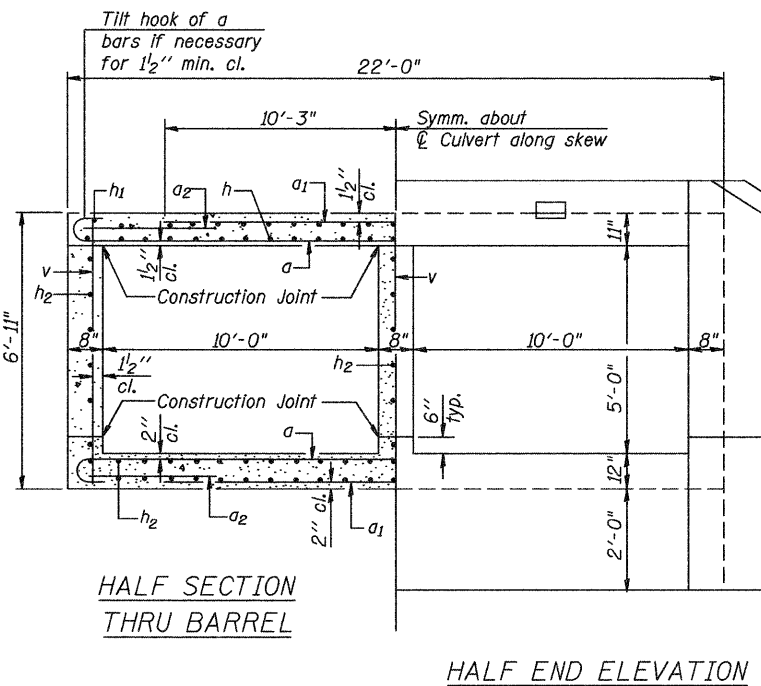


BILL OF MATERIAL

Bar	No.	Size	Length	Shape
a	200	#8	32'-8"	C
a1	200	#8	20'-6"	—
a2	200	#5	7'-10"	—
d	62	#4	4'-6"	L
h	44	#8	35'-9"	—
h1	88	#4	18'-5"	—
h2	96	#6	35'-9"	—
h3	12	#7	29'-3"	—
h4	10	#6	29'-3"	—
h5	10	#8	20'-4"	—
h6	10	#8	8'-0"	—
h7	10	#8	18'-7"	—
h8	30	#8	9'-0"	—
h9	20	#8	14'-11"	—
h10	20	#8	8'-0"	—
h11	20	#8	12'-8"	—
h12	20	#5	4'-0"	—
h13	13	#8	22'-0"	—
h14	12	#8	8'-0"	—
s	62	#4	5'-1"	□
s1	31	#4	4'-6"	□
s2	31	#4	4'-11"	□
v	226	#5	6'-8"	—
v1	16	#4	9'-5"	—
Concrete Box Culverts			Cu. Yd.	170.4
Reinforcement Bars			Pound	48,870



DRAIN DETAIL



**HALF SECTION
THRU BARREL**

HALF END ELEVATION

Notes:
For wingwall details see sheet 6 of 9.

DESIGNED	C.J.F.
CHECKED	B.B.
DRAWN	J.G.
CHECKED	C.J.F., B.B.



**BERNARDIN
LOCHMUELLER &
ASSOCIATES, INC.**

3 Oak Drive
Maryville, IL 62902-5635
Local (618) 298-4665
Fax 618-288-4666

SHEET NO. 7 9 SHEETS	F.A.P. RTE. 328	SECTION (9BR1,10BR1) B-1	COUNTY WAYNE	TOTAL SHEETS 67	SHEET NO. 47
	SN 096-2012		CONTRACT NO. 74214		
FED. ROAD DIST. NO. 7		ILLINOIS		FED. AID PROJECT	

CULVERT DETAILS
U.S. 45 OVER BRANCH OF ELM RIVER
STATION 507+50.00