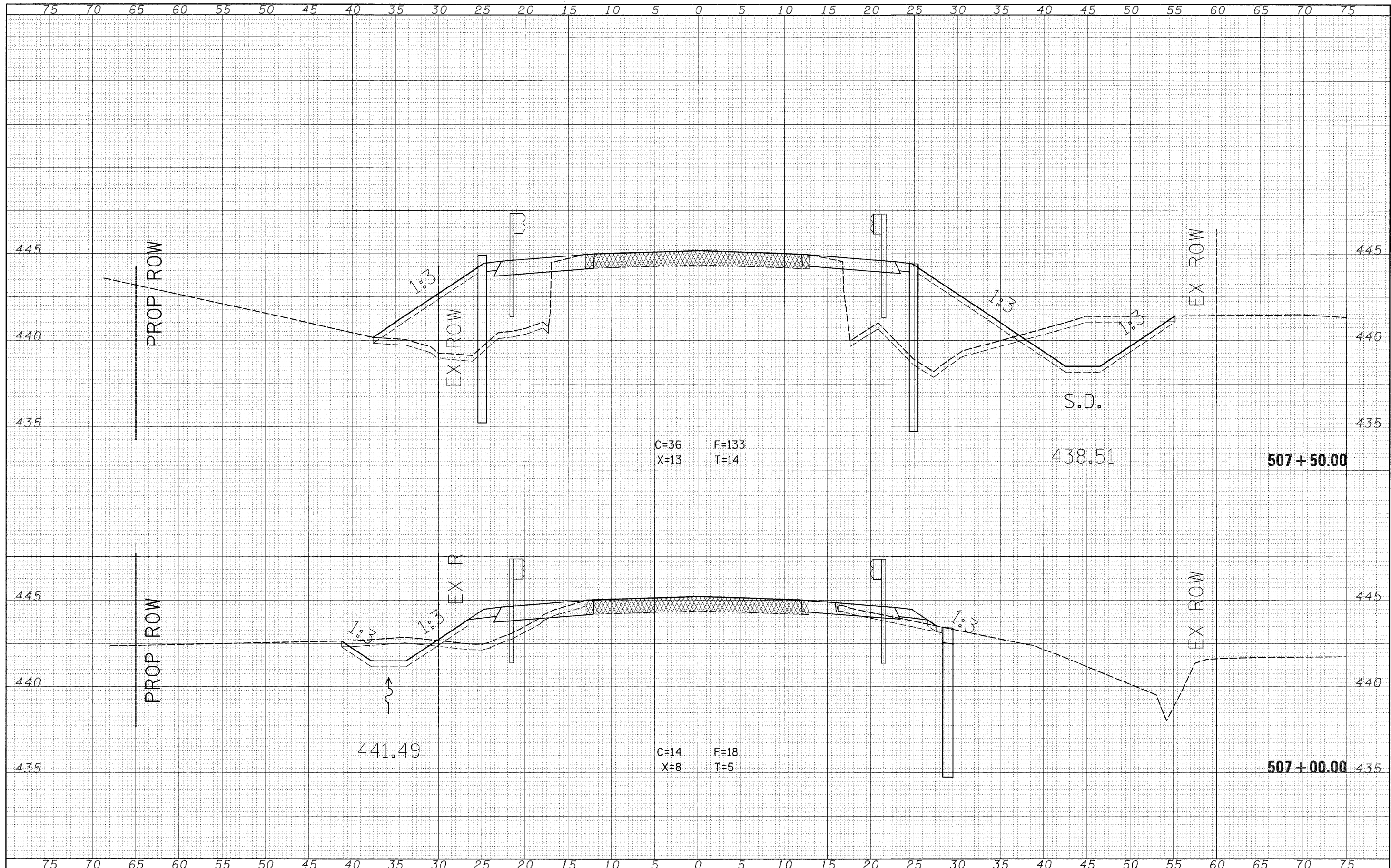


FINAL SURVEY	DATE
SURVEYED	BY
NOTE BOOK	
TEMPLATE	
AREAS CHECKED	
NO.	

ORIGINAL SURVEY	DATE
SURVEYED	BY
NOTE BOOK	
TEMPLATE	
AREAS CHECKED	
NO.	



FILE NAME =	USER NAME = lewisbl	DESIGNED -	REVISED -	STATE OF ILLINOIS DEPARTMENT OF TRANSPORTATION	branch of Elm River SCALE: SHEET NO. OF SHEETS STA. 507+00.00 TO STA. 507+50.00	F.A.P. RTE.	SECTION	COUNTY	TOTAL SHEETS	SHEET NO.
c:\pw\work\PIWIDOT\LEWISBL\dms35553\vs021sht.74214.dgn	PLOT SCALE = 5,0000 ' / IN.	DRAWN -	REVISED -			328	(9BR1,10BR1)B-1	WAYNE	67	63
PLOT DATE = 12/23/2008	DATE -	CHECKED -	REVISED -			CONTRACT NO. 74214				
		DATE -	REVISED -			FED. ROAD DIST. NO. ILLINOIS FED. AID PROJECT				