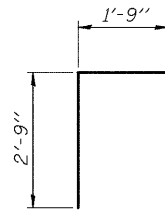
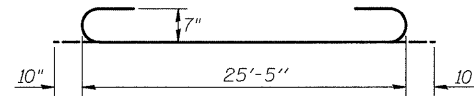


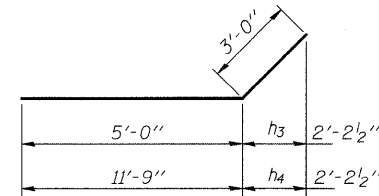
STATE OF ILLINOIS  
DEPARTMENT OF TRANSPORTATION



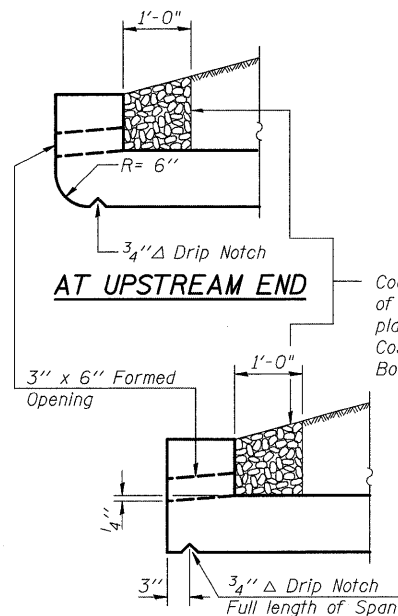
**BAR d**



**BAR a**



**BARS h3 & h4**

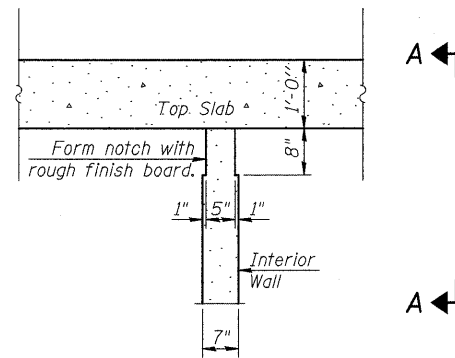


**AT UPSTREAM END**

Coarse aggregate full length of both headwalls. To be placed by Grading Contractor. Cost included with Concrete Box Culverts.

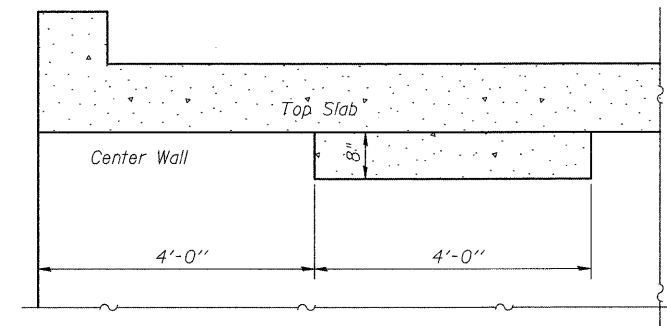
**AT DOWNSTREAM END**

**DRAIN DETAIL**



**PHOEBE NESTING  
SITE DETAIL**

(Interior wall, downstream end only)

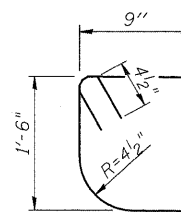


**VIEW A-A**

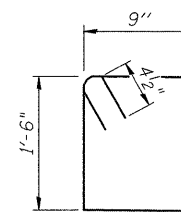
(Showing Phoebe Nesting Ledge)

**BILL OF MATERIAL**

Bar	No.	Size	Length	Shape
a	168	#7	27'-1"	U
a <sub>1</sub>	126	#8	15'-2"	—
a <sub>2</sub>	124	#4	25'-5"	—
d	75	#4	4'-6"	L
h	104	#5	31'-3"	—
h <sub>1</sub>	104	#5	31'-3"	—
h <sub>2</sub>	42	#6	31'-3"	—
h <sub>3</sub>	60	#7	8'-0"	—
h <sub>4</sub>	48	#7	14'-9"	—
h <sub>5</sub>	15	#6	25'-3"	—
h <sub>6</sub>	9	#8	25'-3"	—
v	250	#4	8'-9"	—
v <sub>1</sub>	16	#4	11'-6"	—
s	25	#4	5'-3"	□
s <sub>1</sub>	50	#4	5'-3"	□
Concrete Box Culverts			Cu. Yd.	181
Reinforcement Bars			Pound	30940
Bar Splicers			Each	125



**BAR s**



**BAR s<sub>1</sub>**

**CULVERT DETAILS  
IL 15 OVER TRIBUTARY TO  
UNION DRAINAGE DITCH  
STATION 239+87.00  
STRUCTURE NO. 096-2011**

SHEET NO. 5 OF 7 SHEETS	F.A.P. RTE.	SECTION	COUNTY	TOTAL SHEETS	SHEET NO.
	823	(22BR1) B-1	WAYNE	142	35
CONTRACT NO. 74238					
FED. ROAD DIST. NO. 7 ILLINOIS FED. AID PROJECT					