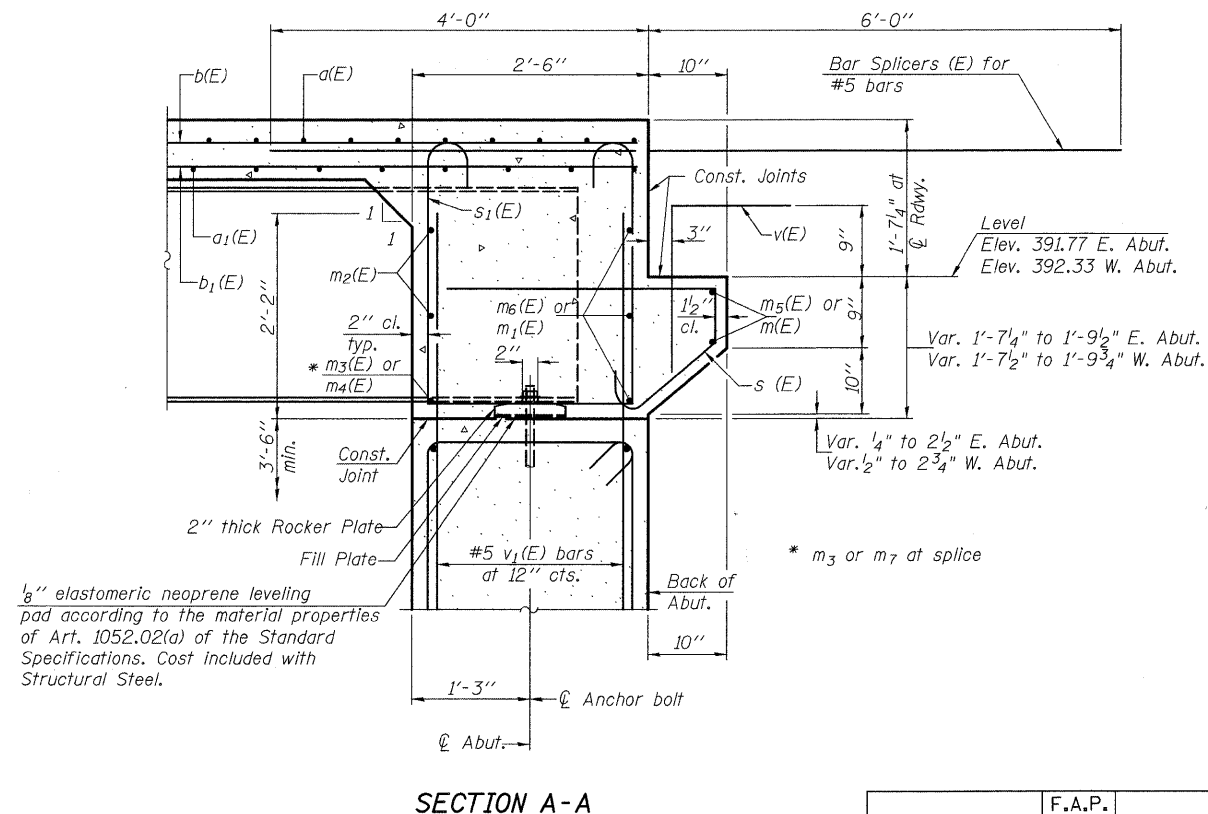
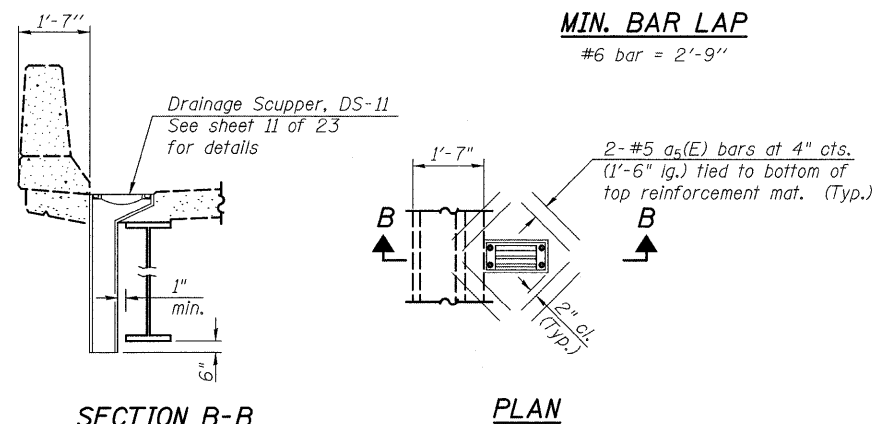


**DIAPHRAGM ELEVATION AT ABUTMENT**

Looking West @ W. Abutment  
(E. Abutment Similar)

**Notes:**  
 Reinforcement bars in diaphragm are billed with superstructure on sheet 9 of 23.  
 Concrete in diaphragm is included with Concrete Superstructure on sheet 9 of 23.  
 For details of bars s(E) & s1(E) see sheet 9 of 23.  
 The s(E) and s1(E) bars shall be placed parallel to the beams. Spacing for these bars shall be at right angles to the beams.



**ABUTMENT DIAPHRAGM DETAILS**  
**IL 15 OVER UNION DRAINAGE**  
**DITCH OVERFLOW**  
**WAYNE COUNTY**  
**STATION 295+41.00**  
**STRUCTURE NO. 096-0072**

SHEET NO. 10 23 SHEETS	F.A.P. RTE. 823	SECTION (22BY2) B-1	COUNTY WAYNE	TOTAL SHEETS 142	SHEET NO. 47
	CONTRACT NO. 74238				
FED. ROAD DIST. NO.		ILLINOIS	FED. AID PROJECT		