

**INTERIOR DIAPHRAGM "D1"**  
(10 Required)

**INTERIOR DIAPHRAGM "D"**  
(15 Required)

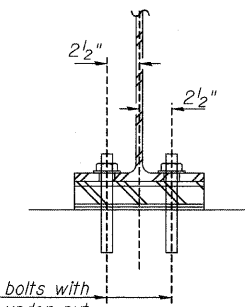
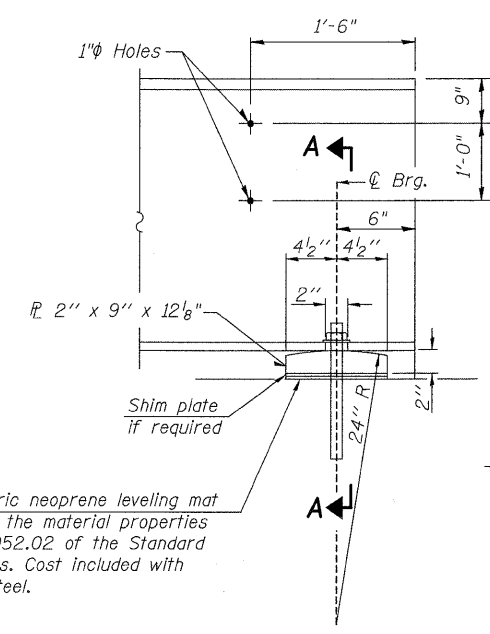
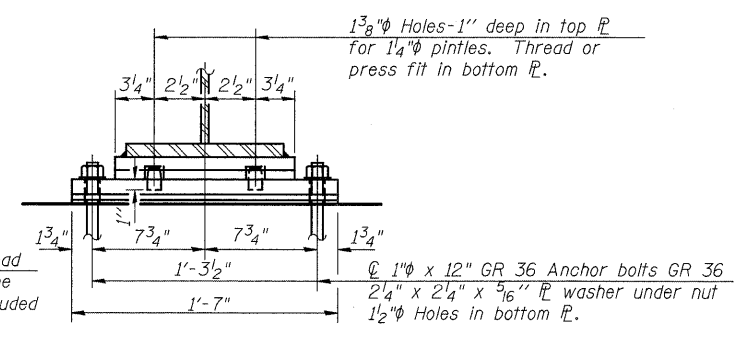
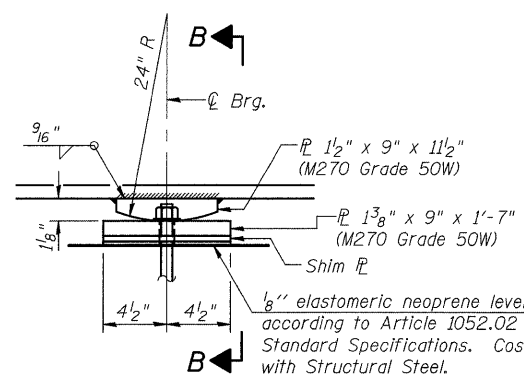
**SECTION A-A**

Note: Two hardened washers required for each set of oversized holes.

\* Alternate C12x30 channels are permitted to facilitate material acquisition. Calculated weight of structural steel is based on the lighter section. This alternate, if utilized, shall be provided at no extra cost to the Department.

\*\* 3/4 inch diameter HS bolts, 5/16 inch diameter holes

Note: Steel designated with N.T.R. shall conform to the requirements for Notch Toughness (Zone 2).



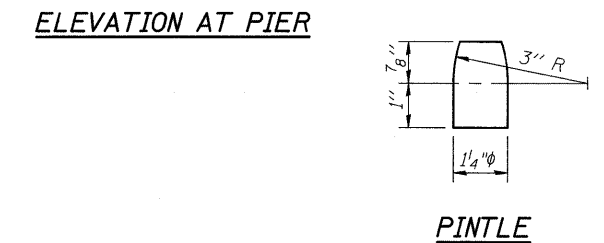
**ELEVATION AT PIER**

**SECTION B-B**

**ELEVATION AT ABUTMENT**

**SECTION A-A**

1/8 inch elastomeric neoprene leveling mat according to the material properties of Article 1052.02 of the Standard Specifications. Cost included with Structural Steel.



**PINTLE**  
**FIXED BEARING AT PIERS**  
(12 Required)

Notes:  
Anchor bolts shall be ASTM F1554 all-thread (or an Engineer-approved alternate material) of the grade(s) and diameter(s) specified. ASTM A307 Grade C anchor bolts may be used in lieu of ASTM F1554 Grade 36 (Fy=36ksi). The corresponding specified grade of AASHTO M314 anchor bolts may be used in lieu of ASTM F1554.  
Anchor bolts at fixed bearings may be either cast in place or installed in holes drilled after the supported member is in place.  
Drilled and set anchor bolts shall be installed according to Article 521.06 of the Standard Specifications.  
Two 1/8 inch adjusting shims shall be provided for each bearing in addition to all other plates or shims and placed as shown on bearing details.

**FIXED BEARING**

**STRUCTURAL STEEL DETAILS**  
**IL 15 OVER UNION DRAINAGE**  
**DITCH OVERFLOW**  
**WAYNE COUNTY**  
**STATION 295+41.00**  
**STRUCTURE NO. 096-0072**

SHEET NO. 13	F.A.P. RTE.	SECTION	COUNTY	TOTAL SHEETS	SHEET NO.
	823	(22BY2) B-1	WAYNE	142	50
23 SHEETS	CONTRACT NO. 74238				
FED. ROAD DIST. NO.		ILLINOIS	FED. AID PROJECT		