

NORTH CURB LINE

Location	Station	Offset	Theoretical Grade Elevations
Bk. W. Abut.	301+96.52	16.42	393.89
C	302+06.52	16.42	393.83
D	302+16.52	16.42	393.78
End W. Appr. Pav't	302+26.52	16.42	393.73

NORTH EDGE OF PAVEMENT

Location	Station	Offset	Theoretical Grade Elevations
Bk. W. Abut.	301+99.07	12.00	393.96
C	302+09.07	12.00	393.90
D	302+19.07	12.00	393.85
End W. Appr. Pav't	302+29.07	12.00	393.80

☉ ROADWAY & PG

Location	Station	Offset	Theoretical Grade Elevations
Bk. W. Abut.	302+06.00	0.000	394.12
C	302+16.00	0.000	394.06
D	302+26.00	0.000	394.01
End W. Appr. Pav't	302+36.00	0.000	393.96

STAGE CONST. LINE

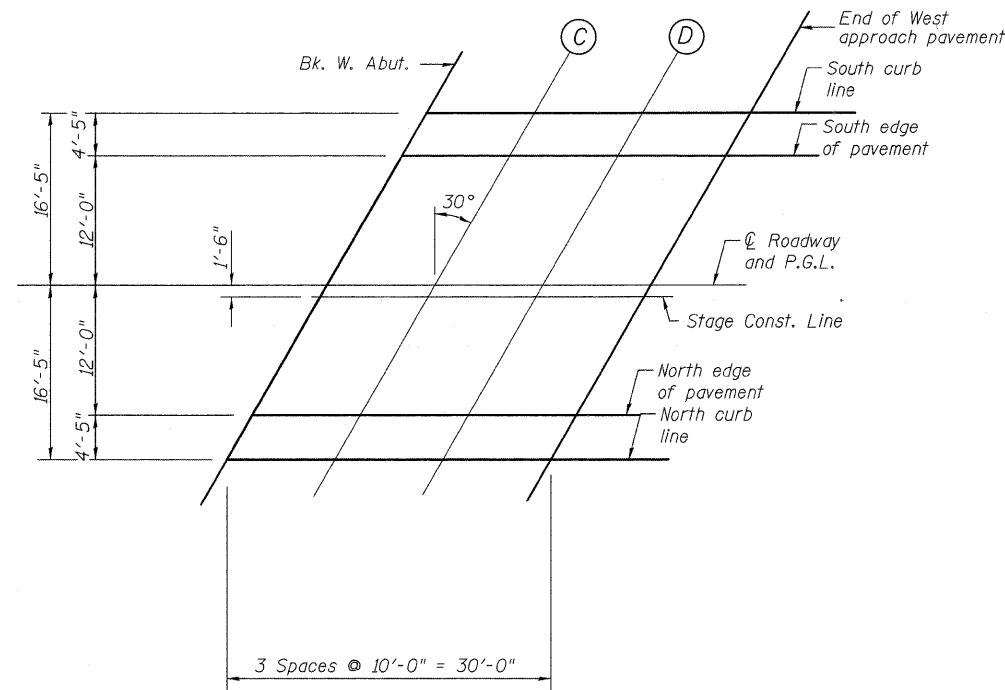
Location	Station	Offset	Theoretical Grade Elevations
Bk. W. Abut.	302+05.13	1.50	394.10
C	302+15.13	1.50	394.04
D	302+25.13	1.50	393.99
End W. Appr. Pav't	302+35.13	1.50	393.94

SOUTH EDGE OF PAVEMENT

Location	Station	Offset	Theoretical Grade Elevations
Bk. W. Abut.	302+12.93	-12.00	393.90
C	302+22.93	-12.00	393.84
D	302+32.93	-12.00	393.79
End W. Appr. Pav't	302+42.93	-12.00	393.74

SOUTH CURB LINE

Location	Station	Offset	Theoretical Grade Elevations
Bk. W. Abut.	302+15.48	-16.42	393.79
C	302+25.48	-16.42	393.73
D	302+35.48	-16.42	393.68
End W. Appr. Pav't	302+45.48	-16.42	393.63



PLAN

**TOP OF WEST APPROACH
SLAB ELEVATIONS
IL 15 OVER UNION
DRAINAGE DITCH
WAYNE COUNTY
STATION 301+65.00
STRUCTURE NO. 096-0071**

SHEET NO. 7 20 SHEETS	F.A.P. RTE.	SECTION	COUNTY	TOTAL SHEETS	SHEET NO.
	823	(22BY-1) B-1	WAYNE	142	67
CONTRACT NO. 74238					
FED. ROAD DIST. NO.		ILLINOIS FED. AID PROJECT			