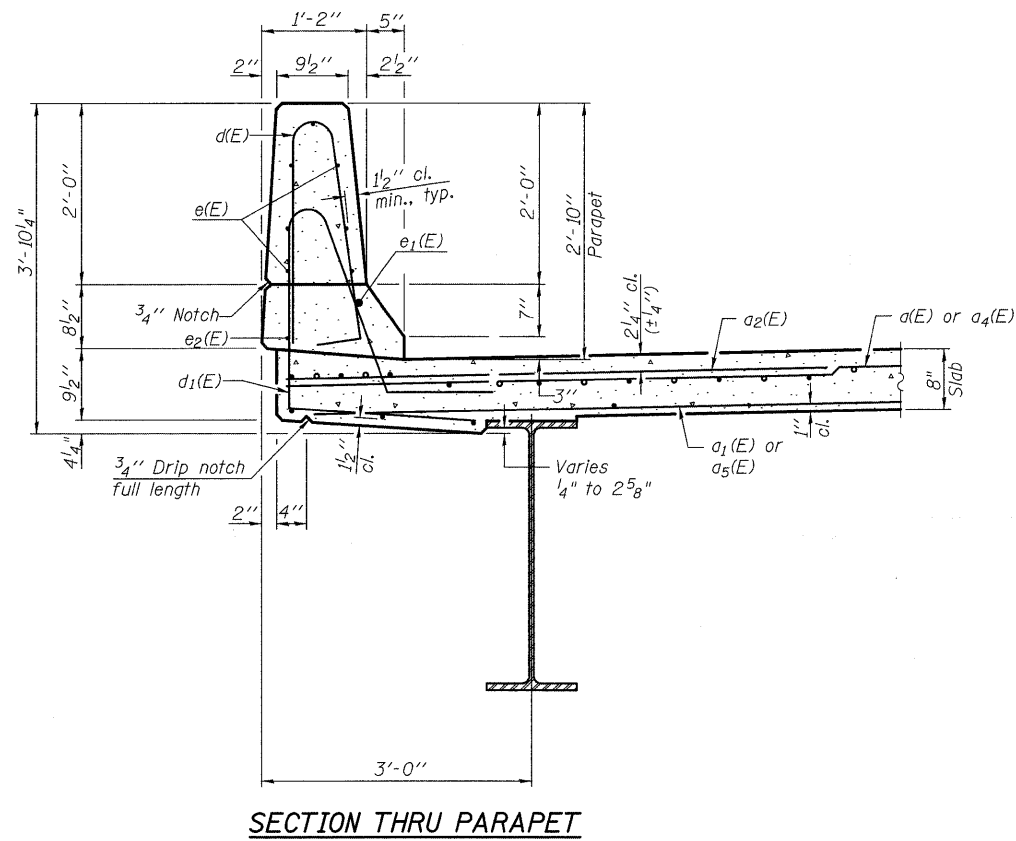
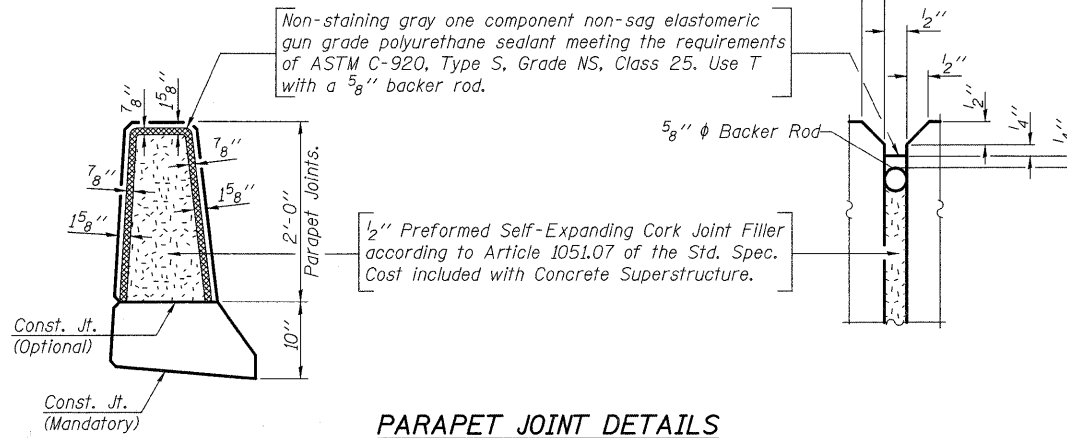


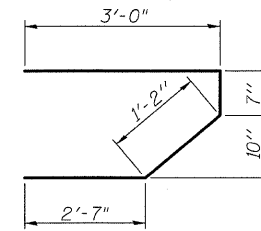
INSIDE ELEVATION OF PARAPET



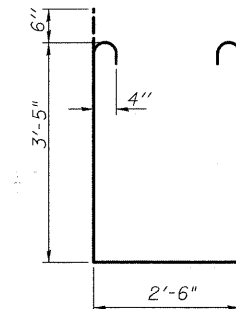
SECTION THRU PARAPET



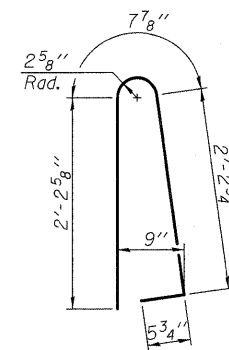
PARAPET JOINT DETAILS



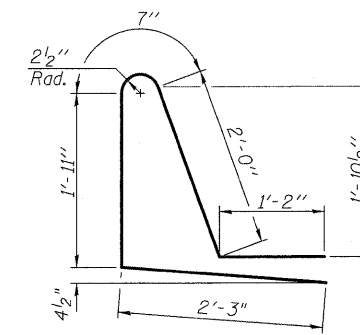
BAR s(E)



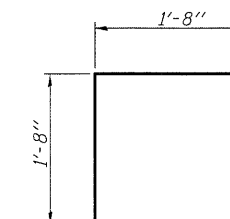
BAR s1(E)



BAR d(E)



BAR d1(E)



BAR v(E)

**SUPERSTRUCTURE
BILL OF MATERIAL**

Bar	No.	Size	Length	Shape
a(E)	140	#5	15'-7"	—
a1(E)	98	#5	15'-1"	—
a2(E)	280	#6	6'-0"	—
a3(E)	4	#5	17'-10"	—
a4(E)	140	#5	18'-7"	—
a5(E)	98	#5	18'-1"	—
a6(E)	4	#5	21'-3"	—
b(E)	156	#5	21'-9"	—
b1(E)	96	#5	28'-4"	—
d(E)	178	#5	5'-7"	U
d1(E)	178	#5	7'-11"	U
e(E)	70	#4	16'-1"	—
e1(E)	4	#8	42'-7"	—
e2(E)	6	#4	28'-2"	—
m(E)	4	#6	17'-2"	—
m1(E)	6	#6	18'-3"	—
m2(E)	24	#6	9'-3"	—
m3(E)	8	#6	6'-3"	—
m4(E)	4	#6	3'-1"	—
m5(E)	4	#6	20'-8"	—
m6(E)	6	#6	21'-8"	—
m7(E)	2	#6	4'-10"	—
s(E)	72	#5	7'-4"	U
s1(E)	62	#4	10'-4"	U
v(E)	70	#5	3'-4"	Γ
Reinforcement Bars, Epoxy Coated		Pound	23520	
Concrete Superstructure		Cu. Yds.	122.3	
Bar Splitters		Each	324	

Bars indicated thus 1 x 2-#4 etc. indicates 1 line of bars with 2 lengths per line.

MINIMUM BAR LAP

(Parapet)
#4 bar = 1'-4"
#8 bar = 3'-5"

SUPERSTRUCTURE DETAILS

**IL 15 OVER UNION
DRAINAGE DITCH
WAYNE COUNTY
STATION 301+65.00
STRUCTURE NO. 096-0071**

SHEET NO. 9 20 SHEETS	F.A.P. RTE.	SECTION	COUNTY	TOTAL SHEETS	SHEET NO.
	823	(22BY-1) B-1	WAYNE	142	69
FED. ROAD DIST. NO.			ILLINOIS FED. AID PROJECT		
CONTRACT NO. 74238					