

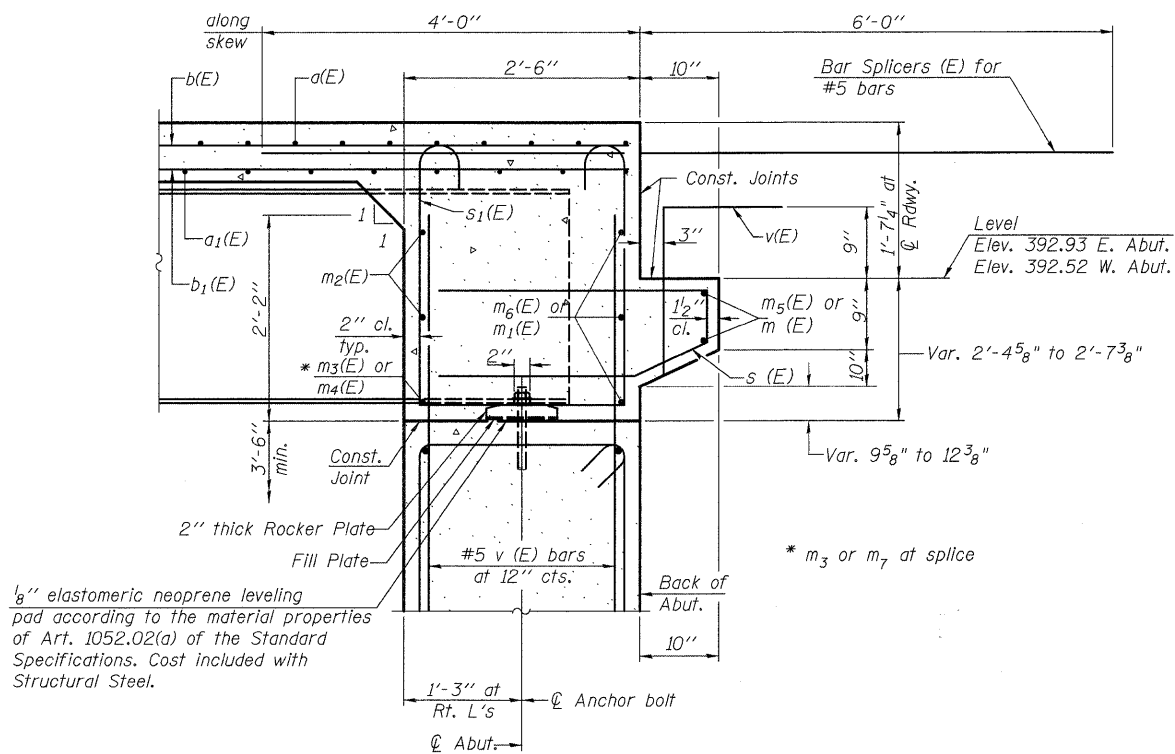
DIAPHRAGM ELEVATION AT ABUTMENT

Looking West @ W. Abutment
(E. Abutment Similar)

Notes:
 Reinforcement bars in diaphragm are billed with superstructure on sheet 9 of 20.
 Concrete in diaphragm is included with Concrete Superstructure on sheet 9 of 20.
 For details of bars s(E) & s₁(E) see sheet 9 of 20.
 The s(E) and s₁(E) bars shall be placed parallel to the beams. Spacing for these bars shall be at right angles to the beams.

MIN. BAR LAP

#6 bar = 2'-9"



SECTION A-A

Dimensions at right angles to abutment, except as shown.

ABUTMENT DIAPHRAGM DETAILS
IL 15 OVER UNION
DRAINAGE DITCH
WAYNE COUNTY
STATION 301+65.00
STRUCTURE NO. 096-0071

SHEET NO. 10 20 SHEETS	F.A.P. RTE.	SECTION	COUNTY	TOTAL SHEETS	SHEET NO.
	823	(22BY-1) B-1	WAYNE	142	70
FED. ROAD DIST. NO.			ILLINOIS FED. AID PROJECT		
CONTRACT NO. 74238					