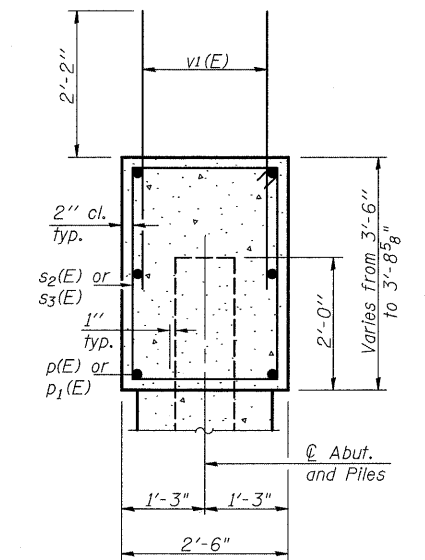
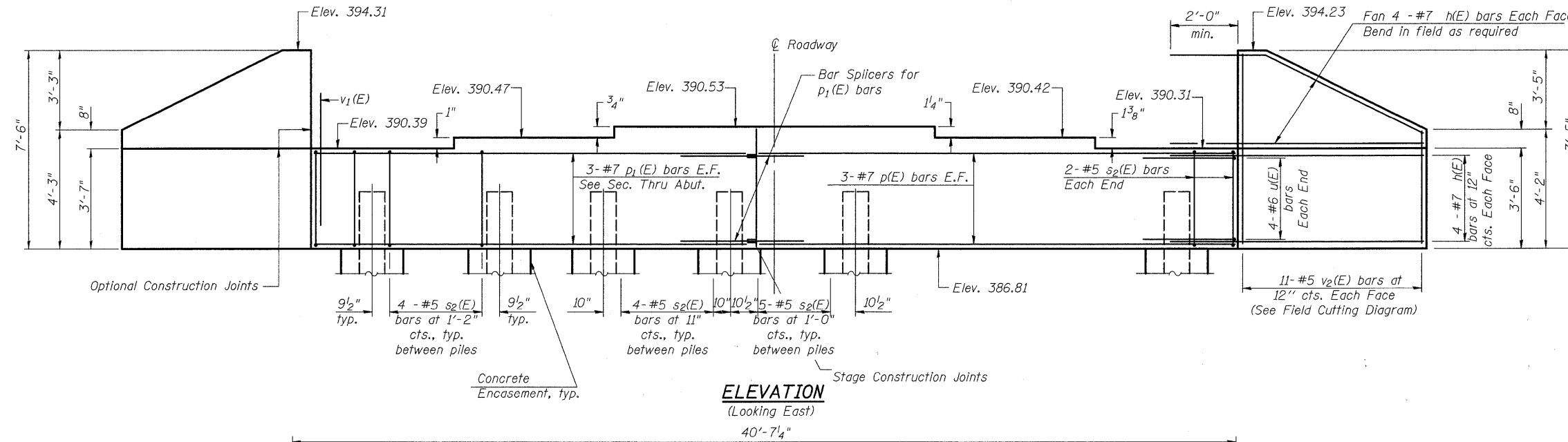


Note: Four steps monolithically with cap.



SEC. THRU ABUT.

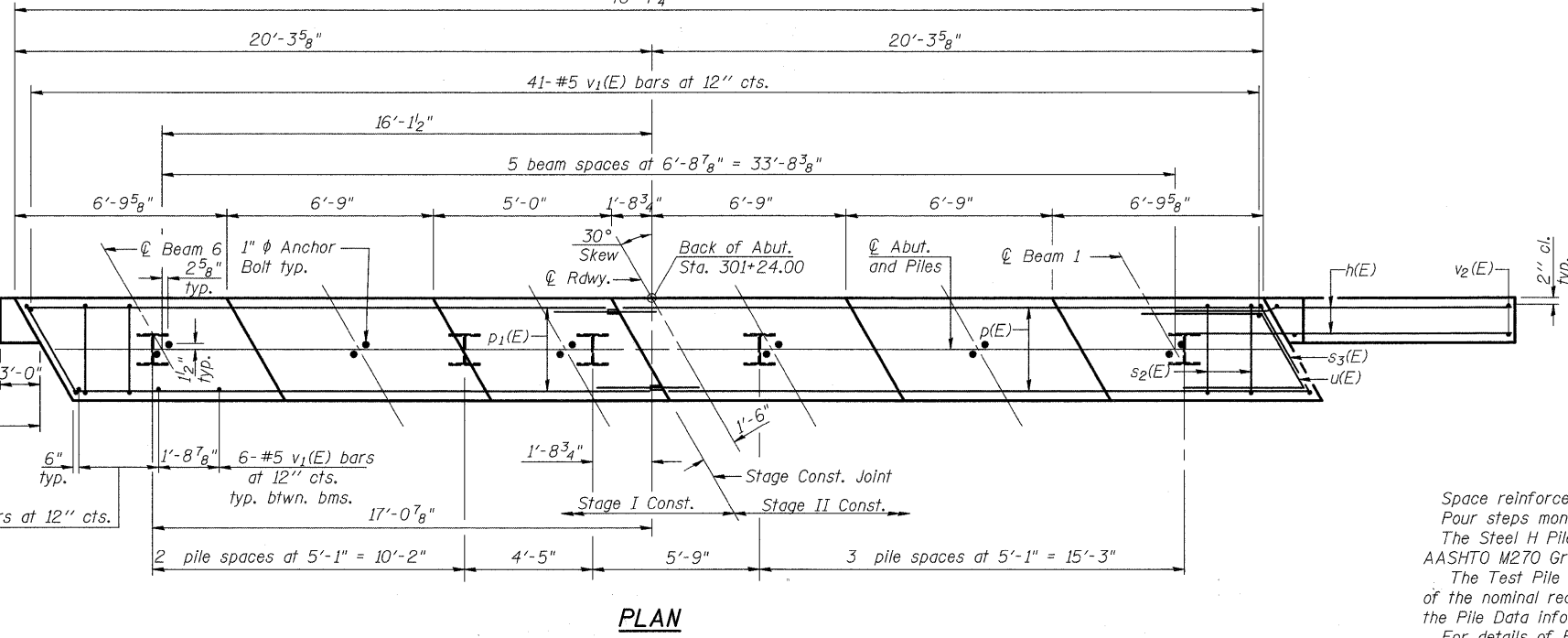
BILL OF MATERIAL

Bar	No.	Size	Length	Shape
h(E)	32	#7	12'-8"	—
p(E)	6	#7	21'-7"	—
p1(E)	6	#7	18'-5"	—
s2(E)	33	#5	11'-7"	□
s3(E)	2	#5	12'-3"	□
u(E)	8	#6	10'-5"	∩
v1(E)	77	#5	4'-4"	—
v2(E)	22	#5	10'-11"	—
Structure Excavation		Cu. Yd.	81.0	
Concrete Structures		Cu. Yd.	18.2	
Reinforcement Bars, Epoxy Coated		Pound	2470	
Furnishing Steel Piles, HP 14x102		Foot	546	
Driving Piles		Foot	546	
Test Pile		Each	1	
Concrete Encasement		Cu. Yd.	2.8	

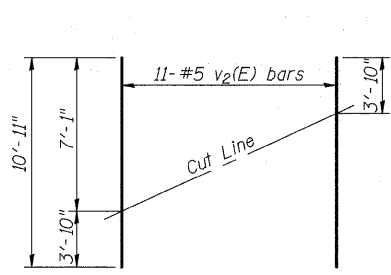
Space reinforcement in cap to miss anchor bolts. Pour steps monolithically with cap. The Steel H Piles shall be according to AASHTO M270 Grade 50. The Test Pile shall be driven to 110 percent of the nominal required bearing indicated in the Pile Data information. For details of Bar Splicers, see sheet 15 of 20. For details of piles and Concrete Encasement, see sheet 16 of 20.

PILE DATA

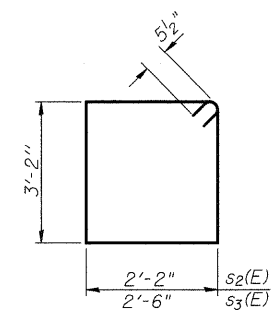
Type: Steel HP14x102
 Nominal Required Bearing: 810k
 Factored Resistance Available: 223k
 Est. Length: 78 ft.
 No. Production Piles: 7
 No. Test Piles: 1



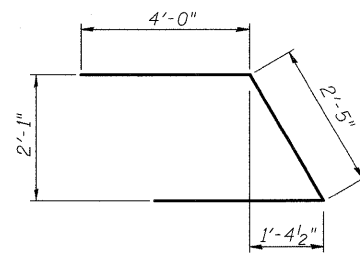
PLAN



FIELD CUTTING DIAGRAM
 Order v2(E) full length. Cut as shown and use remainder of bars in opposite face.



BARS s2(E) & s3(E)



BAR u(E)

EAST ABUTMENT
 IL 15 OVER UNION
 DRAINAGE DITCH
 WAYNE COUNTY
 STATION 301+65.00
 STRUCTURE NO. 096-0071

SHEET NO. 13 20 SHEETS	F.A.P. RTE.	SECTION	COUNTY	TOTAL SHEETS	SHEET NO.
	823	(22BY-1) B-1	WAYNE	142	73
CONTRACT NO. 74238					
FED. ROAD DIST. NO.		ILLINOIS FED. AID PROJECT			