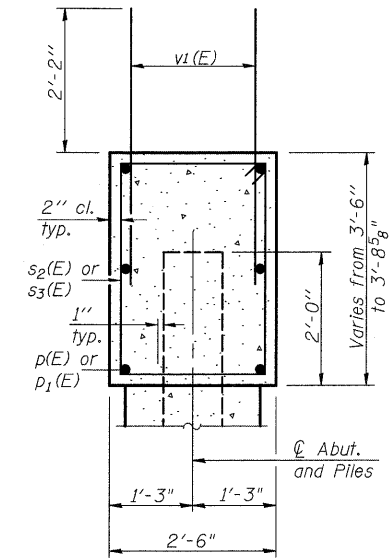
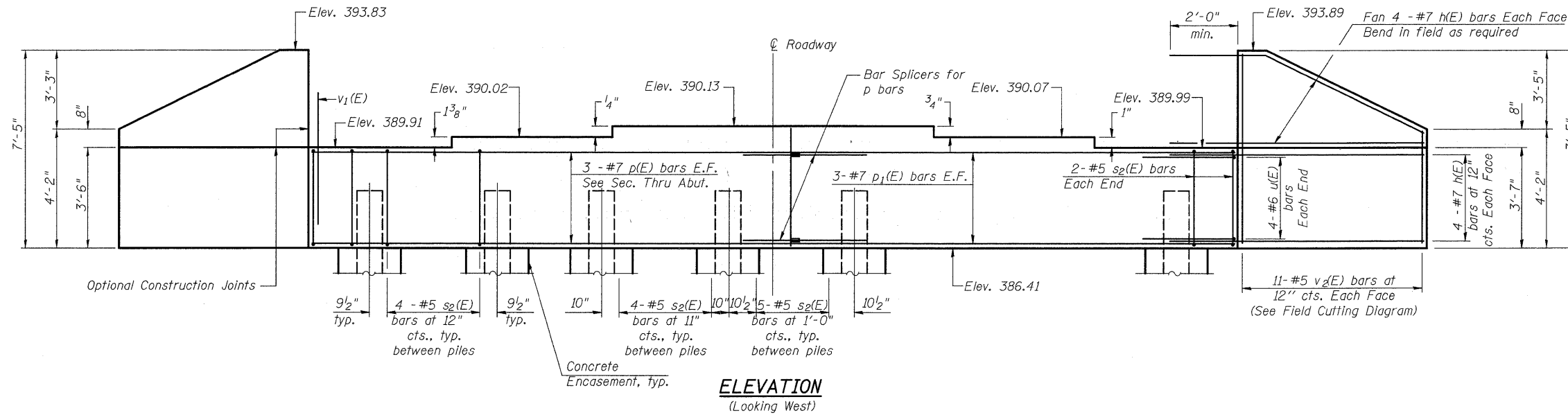


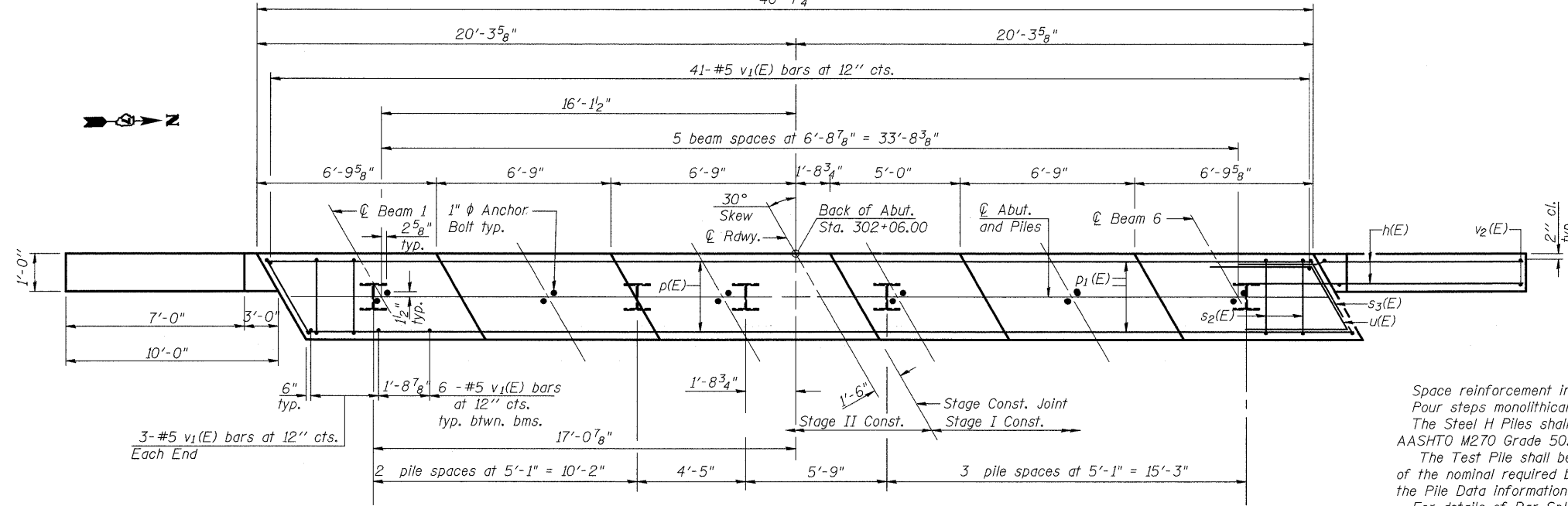
Note: Four steps monolithically with cap.



SEC. THRU ABUT.

BILL OF MATERIAL

Bar	No.	Size	Length	Shape
h(E)	32	#7	12'-8"	—
p(E)	6	#7	21'-7"	—
p1(E)	6	#7	18'-5"	—
s2(E)	33	#5	11'-7"	□
s3(E)	2	#5	12'-3"	□
u(E)	8	#6	10'-5"	┘
v1(E)	77	#5	4'-4"	—
v2(E)	22	#5	10'-11"	—
Structure Excavation		Cu. Yd.	92.0	
Concrete Structures		Cu. Yd.	18.2	
Reinforcement Bars, Epoxy Coated		Pound	2470	
Furnishing Steel Piles, HP 14x102		Foot	574	
Driving Piles		Foot	574	
Test Pile,		Each	1	
Concrete Encasement		Cu. Yd.	2.8	

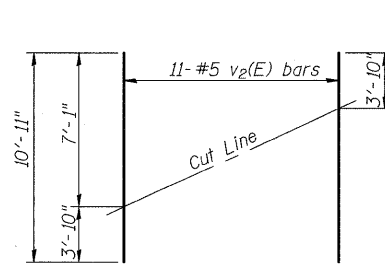


PLAN

Space reinforcement in cap to miss anchor bolts. Pour steps monolithically with cap. The Steel H Piles shall be according to AASHTO M270 Grade 50. The Test Pile shall be driven to 110 percent of the nominal required bearing indicated in the Pile Data information. For details of Bar Splicers, see sheet 15 of 20. For details of piles and Concrete Encasement, see sheet 16 of 20.

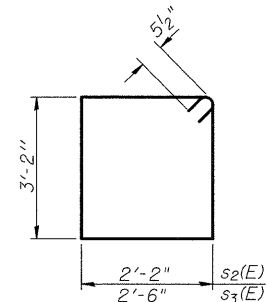
PILE DATA

Type: Steel HP14x102  
 Nominal Required Bearing: 810k  
 Factored Resistance Available: 189k  
 Est. Length: 82 ft.  
 No. Production Piles: 7  
 No. Test Piles: 1

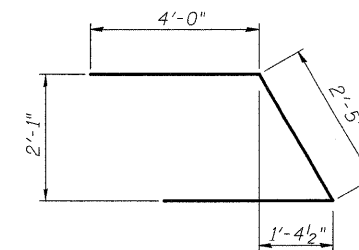


FIELD CUTTING DIAGRAM

Order v2(E) full length. Cut as shown and use remainder of bars in opposite face.



BARS s2(E) & s3(E)



BAR u(E)

WEST ABUTMENT  
 IL 15 OVER UNION  
 DRAINAGE DITCH  
 WAYNE COUNTY  
 STATION 301+65.00  
 STRUCTURE NO. 096-0071

SHEET NO. 14 20 SHEETS	F.A.P. RTE. 823	SECTION (22BY-1) B-1	COUNTY WAYNE	TOTAL SHEETS 142	SHEET NO. 74
	CONTRACT NO. 74238				
FED. ROAD DIST. NO.		ILLINOIS	FED. AID PROJECT		