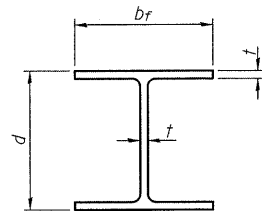
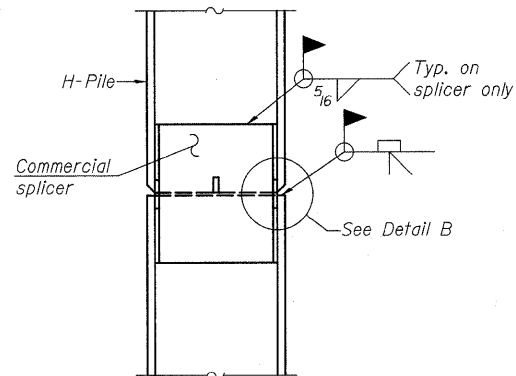


STATE OF ILLINOIS
DEPARTMENT OF TRANSPORTATION

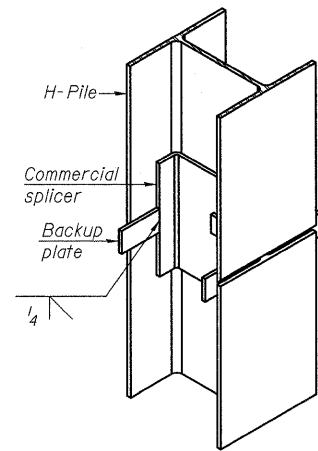


STEEL PILE TABLE

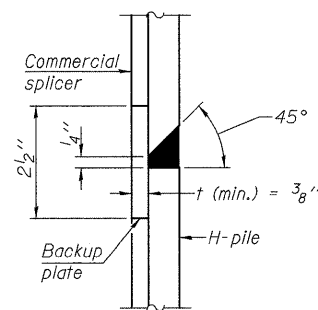
Designation	Depth d	Flange width bf	Web and Flange thickness t	Encasement diameter A
HP 14x117	14 1/4"	14 7/8"	1 3/16"	30"
x102	14"	14 3/4"	1 1/16"	30"
x89	13 7/8"	14 3/4"	5/8"	30"
x73	13 5/8"	14 5/8"	1/2"	30"
HP 12x84	12 1/4"	12 1/4"	1 1/16"	24"
x74	12 1/8"	12 1/4"	5/8"	24"
x63	12"	12 1/8"	1/2"	24"
x53	11 3/4"	12"	7/16"	24"
HP 10x57	10"	10 1/4"	9/16"	24"
x42	9 3/4"	10 1/8"	7/16"	24"
HP 8x36	8"	8 1/8"	7/16"	18"



ELEVATION

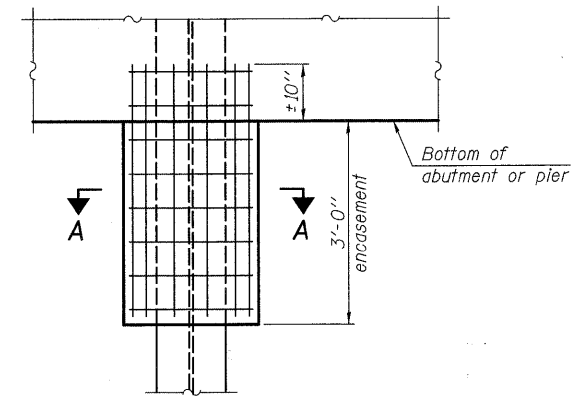


ISOMETRIC VIEW

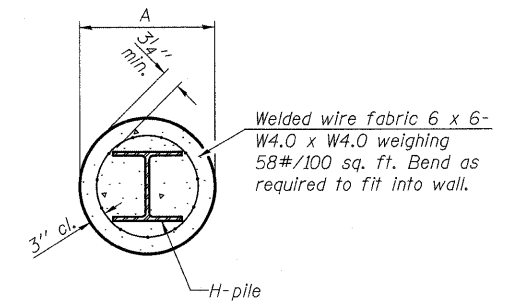


DETAIL "B"

WELDED COMMERCIAL SPLICE



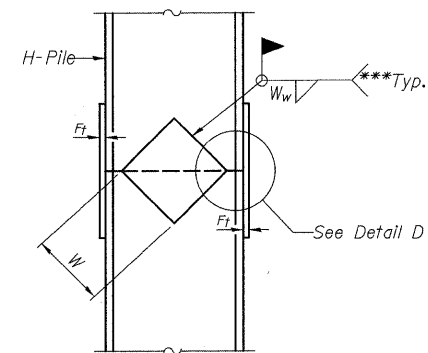
ELEVATION



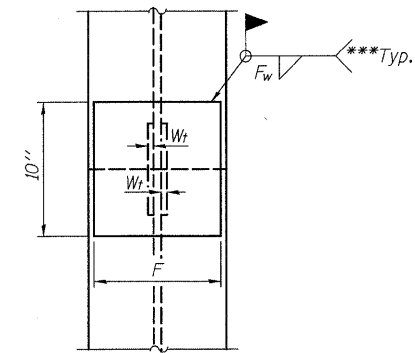
SECTION A-A

Note:
Forms for encasement may be omitted when soil conditions permit.

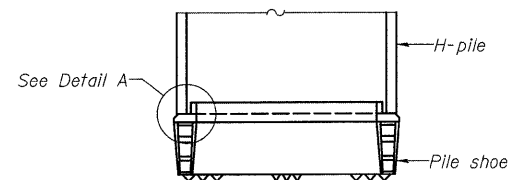
PILE ENCASEMENT



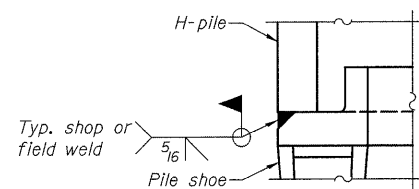
ELEVATION



END VIEW

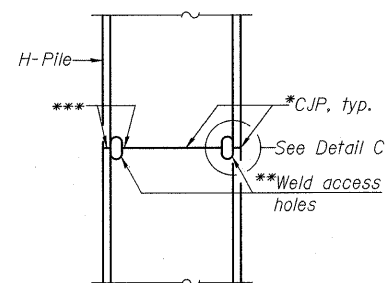


ELEVATION

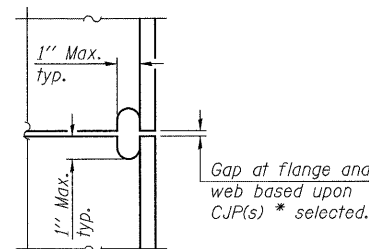


DETAIL A

H-PILE SHOE ATTACHMENT

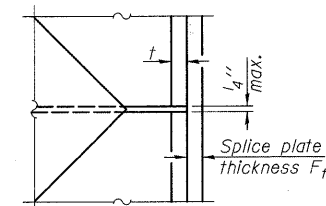


ELEVATION



DETAIL C

COMPLETE PENETRATION WELD SPLICE



DETAIL D

WELDED PLATE FIELD SPLICE

Designation	F	Ft	Fw	W	Wt	Ww
HP 14x117	12 1/2"	1"	7/8"	7 3/4"	5 1/2"	1/2"
x102	12 1/2"	7/8"	3/4"	7 3/4"	5 1/2"	1/2"
x89	12 1/2"	3/4"	1/16"	7 3/4"	5 1/2"	1/2"
x73	12 1/2"	5/8"	9/16"	7 3/4"	5 1/2"	1/2"
HP 12x84	10"	7/8"	1/16"	6 1/2"	5 1/2"	1/2"
x74	10"	7/8"	1/16"	6 1/2"	5 1/2"	1/2"
x63	10"	5/8"	1/2"	6 1/2"	1/2"	3/8"
x53	10"	5/8"	1/2"	6 1/2"	1/2"	3/8"
HP 10x57	8"	3/4"	9/16"	5 1/4"	1/2"	3/8"
x42	8"	5/8"	9/16"	5 1/4"	1/2"	3/8"
HP 8x36	7"	5/8"	7/16"	4 1/4"	1/2"	3/8"

H-PILE & ENCASEMENT DETAILS

IL 15 OVER UNION

DRAINAGE DITCH

WAYNE COUNTY

STATION 301+65.00

STRUCTURE NO. 096-0071

* Use joint conforming to Figure 3.4 in AWS D1.1, Structure Welding Code - Steel.

** Preparation per Fig. 5.2 in AWS D1.1, Structure Welding Code - Steel.

*** Interrupt welds 1/4" from end of each pile.

Note:
The steel H-piles shall be according to AASHTO M270 Grade 50.

SHEET NO. 16 20 SHEETS	F.A.P. RTE. 823	SECTION (22BY-1) B-1	COUNTY WAYNE	TOTAL SHEETS 142	SHEET NO. 76
	CONTRACT NO. 74238				
FED. ROAD DIST. NO.		ILLINOIS	FED. AID PROJECT		

F-HP

10-1-08

BLANK, WESSELINK, COOK & ASSOCIATES

ENGINEERS - CONSULTANTS

DECATUR, ILLINOIS

DESIGN FIRM NO. 184000894