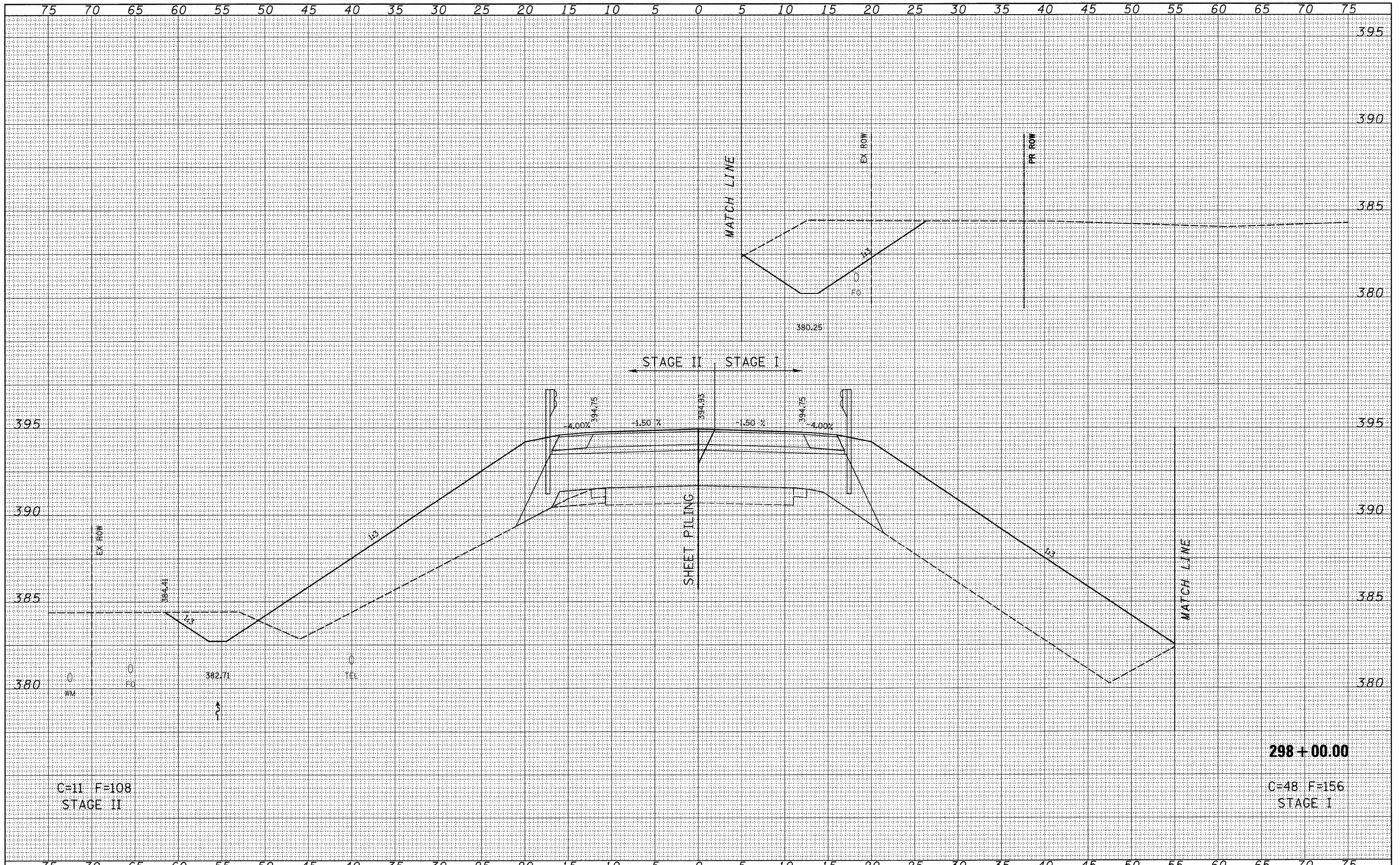


DATE	
BY	
DESIGNED	
PLOTTED	
TEMPLATE	
AREAS CHECKED	
FINAL SURVEY	
NOTE BOOK	
NO.	

DATE	
BY	
DESIGNED	
PLOTTED	
TEMPLATE	
AREAS CHECKED	
ORIGINAL SURVEY	
NOTE BOOK	
NO.	



C=11 F=108  
STAGE II

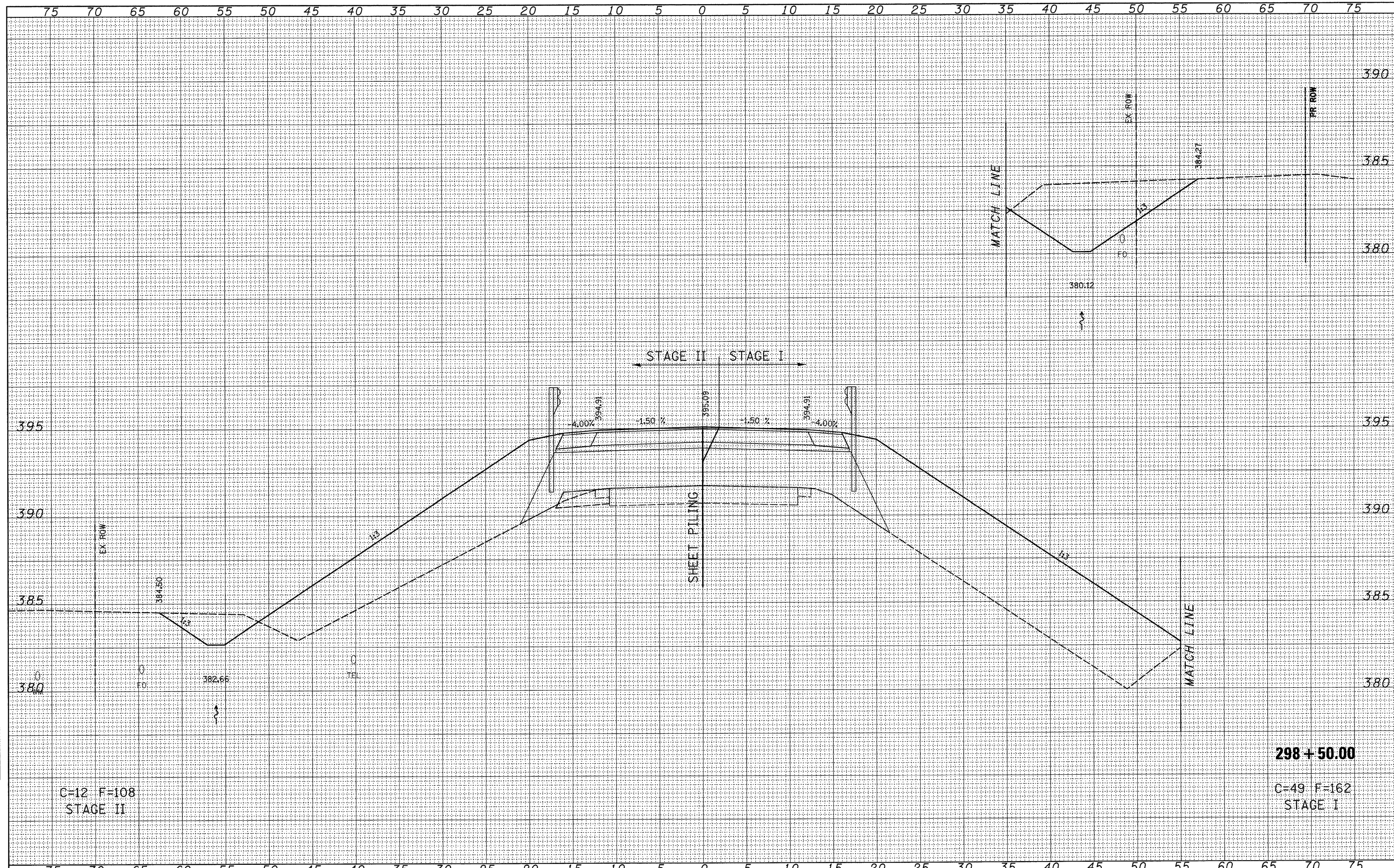
298+00.00  
C=48 F=156  
STAGE I

FILE NAME =	USER NAME = rook	DESIGNED -	REVISED -	<b>STATE OF ILLINOIS</b> <b>DEPARTMENT OF TRANSPORTATION</b>	<b>IL RTE 15</b>	F.A.P. RTE.	SECTION	COUNTY	TOTAL SHEETS	SHEET NO.	
P:\0340601_04\FIN0960055\Drawings\seos\1617\sheet.dgn		DRAWN -	REVISED -			823	(22BY-1,22BY2,22BR)B-1	WAYNE	142	101	
PLOT SCALE = 5.0000' / IN.		CHECKED -	REVISED -			CONTRACT NO. 74238					
PLOT DATE = 3/26/2009		DATE -	REVISED -			FED. ROAD DIST. NO. ILLINOIS FED. AID PROJECT					
SCALE:						SHEET NO. 21 OF 41 SHEETS		STA. 298+00.00 TO STA. 298+00.00			



DATE	
BY	
SURVEYED	
PLOTTED	
TEMPLATE	
AREAS CHECKED	
FINAL SURVEY	
NOTE BOOK	
NO.	

DATE	
BY	
SURVEYED	
PLOTTED	
TEMPLATE	
AREAS CHECKED	
ORIGINAL SURVEY	
NOTE BOOK	
NO.	



C-12 F-108  
STAGE II

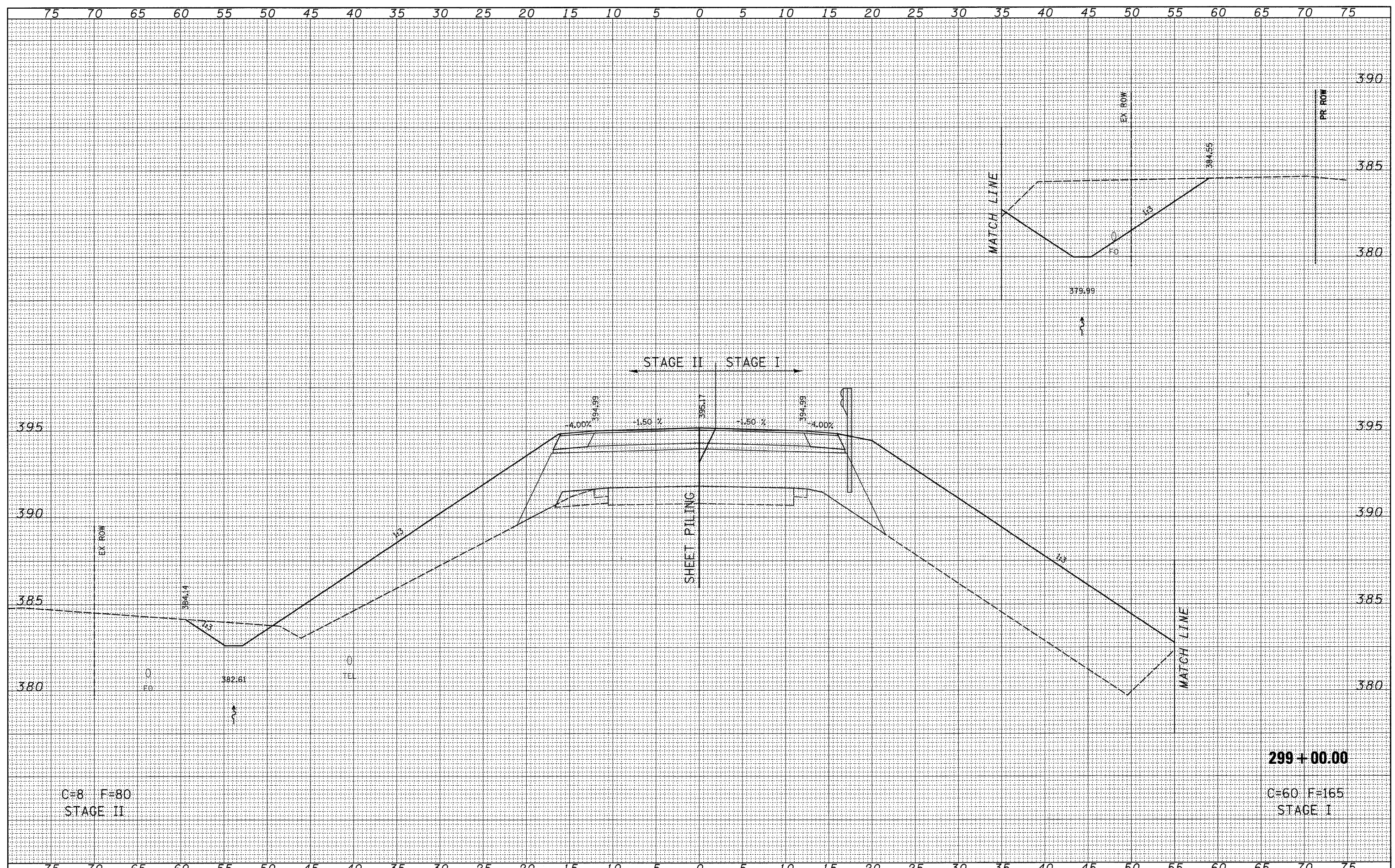
298 + 50.00  
C-49 F-162  
STAGE I

FILE NAME =	USER NAME = rook	DESIGNED -	REVISED -	<b>STATE OF ILLINOIS</b> <b>DEPARTMENT OF TRANSPORTATION</b>	<b>IL RTE 15</b>	F.A.P. RTE.	SECTION	COUNTY	TOTAL SHEETS	SHEET NO.	
P:\0348601_04_FIN0960255\Drawings\Xsecs\1617Xsec\sheet.dgn		DRAWN -	REVISED -			823	(22BY-1,22BY2,22BR)B-1	WAYNE	142	102	
PLOT SCALE = 5.0000' / IN.		CHECKED -	REVISED -			CONTRACT NO. 74238					
PLOT DATE = 3/26/2009		DATE -	REVISED -			SCALE:	SHEET NO. 22 OF 41 SHEETS	STA. 298+50.00 TO STA. 298+50.00	ILLINOIS FED. AID PROJECT		



DATE	
BY	
DESIGNED	
PLOTTED	
TEMPLATE	
NOTE BOOK	
AREAS	
CHECKED	
NO.	

DATE	
BY	
DESIGNED	
PLOTTED	
TEMPLATE	
NOTE BOOK	
AREAS	
CHECKED	
NO.	



C=8 F=80  
STAGE II

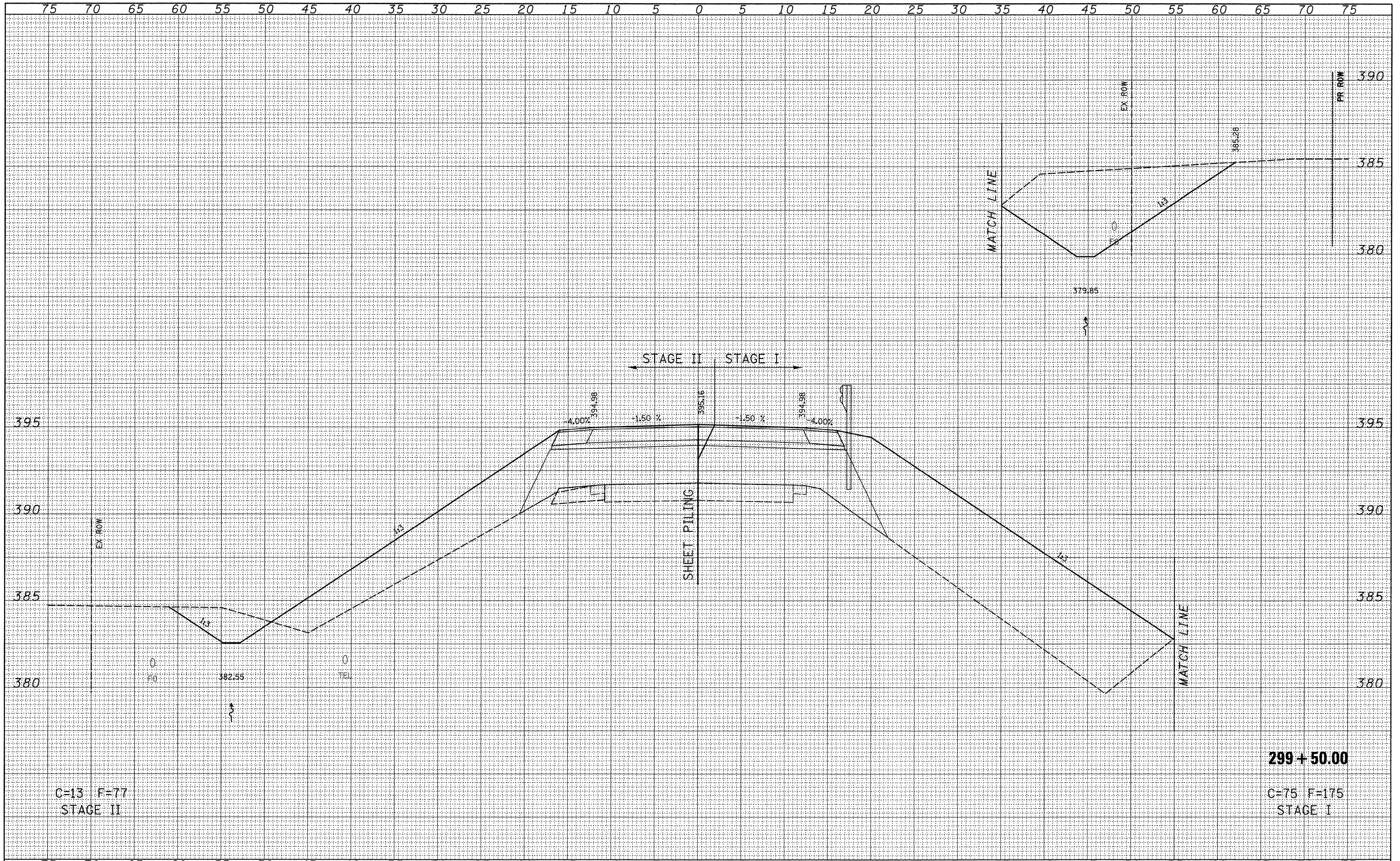
299+00.00  
C=60 F=165  
STAGE I

FILE NAME =	USER NAME = rcook	DESIGNED -	REVISED -	<b>STATE OF ILLINOIS</b> <b>DEPARTMENT OF TRANSPORTATION</b>	<b>IL RTE 15</b>	F.A.P. RTE.	SECTION	COUNTY	TOTAL SHEETS	SHEET NO.	
P:\0340601.04\FIN0960055\Drawings\seccs\1617Xsect\sheet.dgn		DRAWN -	REVISED -			823	(22BY-1,22BY2,22BR)B-1	WAYNE	142	103	
PLOT SCALE = 5.0000' / IN.		CHECKED -	REVISED -			CONTRACT NO. 74238					
PLOT DATE = 3/26/2009		DATE -	REVISED -			SCALE:	SHEET NO. 23 OF 41 SHEETS	STA. 299+00.00 TO STA. 299+00.00	FED. ROAD DIST. NO.	ILLINOIS FED. AID PROJECT	



FINAL SURVEY	SURVEYED	BY	DATE
NOTE BOOK	PLOTTED		
NO.	TEMPLATE		
	AREAS		
	CHECKED		

ORIGINAL SURVEY	SURVEYED	BY	DATE
NOTE BOOK	PLOTTED		
NO.	TEMPLATE		
	AREAS		
	CHECKED		



C=13 F=77  
STAGE II

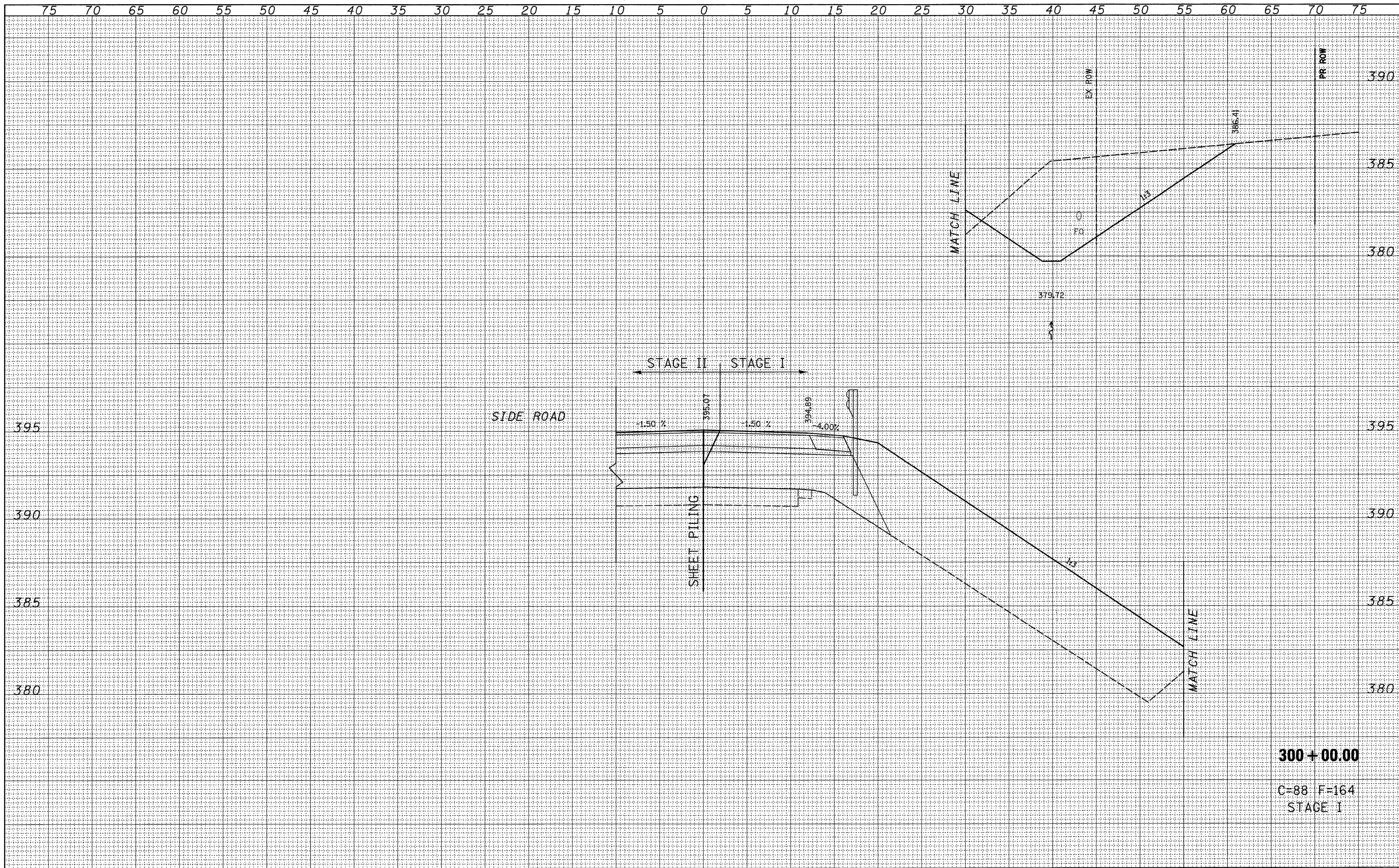
**299+50.00**  
C=75 F=175  
STAGE I

FILE NAME =	USER NAME = rook	DESIGNED -	REVISED -	<b>STATE OF ILLINOIS</b> <b>DEPARTMENT OF TRANSPORTATION</b>	<b>IL RTE 15</b>	F.A.P. RTE.	SECTION	COUNTY	TOTAL SHEETS	SHEET NO.
P:\0340601.04.FIN0960055\Drawings\seccs\1617Xsec	sheet.dgn	DRAWN -	REVISED -			823	(22BY-1,22BY2,22BR16-1	WAYNE	142	104
PLOT SCALE = 5.0000' / IN.		CHECKED -	REVISED -			CONTRACT NO. 74238				
PLOT DATE = 3/26/2009		DATE -	REVISED -			FED. ROAD DIST. NO. ILLINOIS FED. AID PROJECT				



DATE	
BY	
DESIGNED	
DRAWN	
CHECKED	
DATE	
REVISIONS	
NO.	
DESCRIPTION	

DATE	
BY	
DESIGNED	
DRAWN	
CHECKED	
DATE	
REVISIONS	
NO.	
DESCRIPTION	



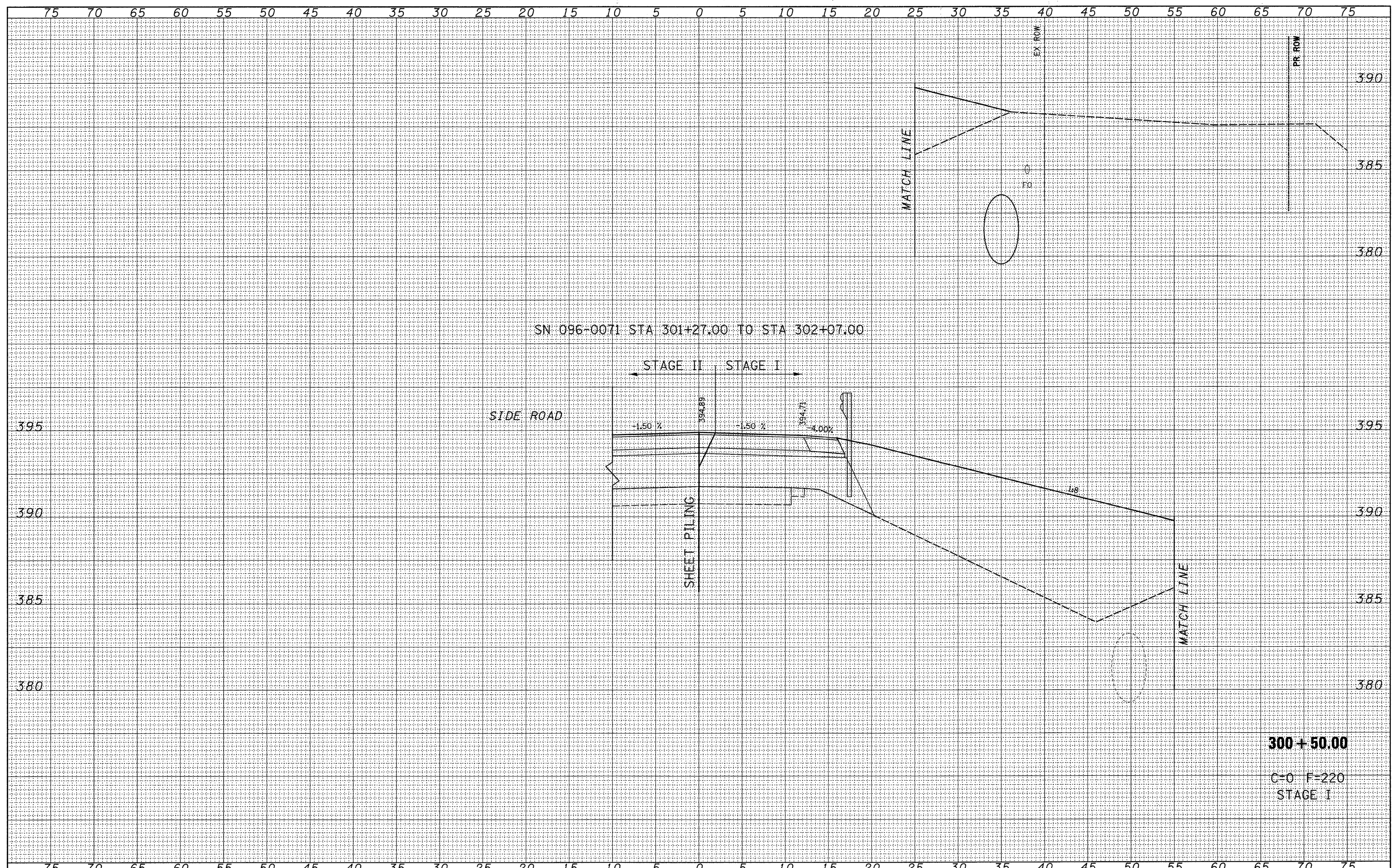
**300+00.00**  
 C-88 F=164  
 STAGE I

FILE NAME =	USER NAME = roak	DESIGNED -	REVISED -	<b>STATE OF ILLINOIS</b> <b>DEPARTMENT OF TRANSPORTATION</b>	<b>IL RTE 15</b>	F.A.P. RTE.	SECTION	COUNTY	TOTAL SHEETS	SHEET NO.	
P:\0340601.04\FIN0960055\Drawings\Xsecs\1617Xsectsheet.dgn	PLOT SCALE = 5.0000' / IN.	DRAWN -	REVISED -			823	(22BY-1,22BY2,22BRB-1)	WAYNE	142	105	
PLOT DATE = 3/26/2009	DATE -	CHECKED -	REVISED -			CONTRACT NO. 74238					
		DATE -	REVISED -			SCALE:	SHEET NO. 25 OF 41 SHEETS	STA. 300+00.00	TO STA. 300+00.00	FED. ROAD DIST. NO.	ILLINOIS FED. AID PROJECT



DATE	
BY	
DESIGNED	
DRAWN	
CHECKED	
DATE	
REVISIONS	
NO.	

DATE	
BY	
DESIGNED	
DRAWN	
CHECKED	
DATE	
REVISIONS	
NO.	



SN 096-0071 STA 301+27.00 TO STA 302+07.00

STAGE II STAGE I

SIDE ROAD

SHEET PILING

MATCH LINE

MATCH LINE

300+50.00

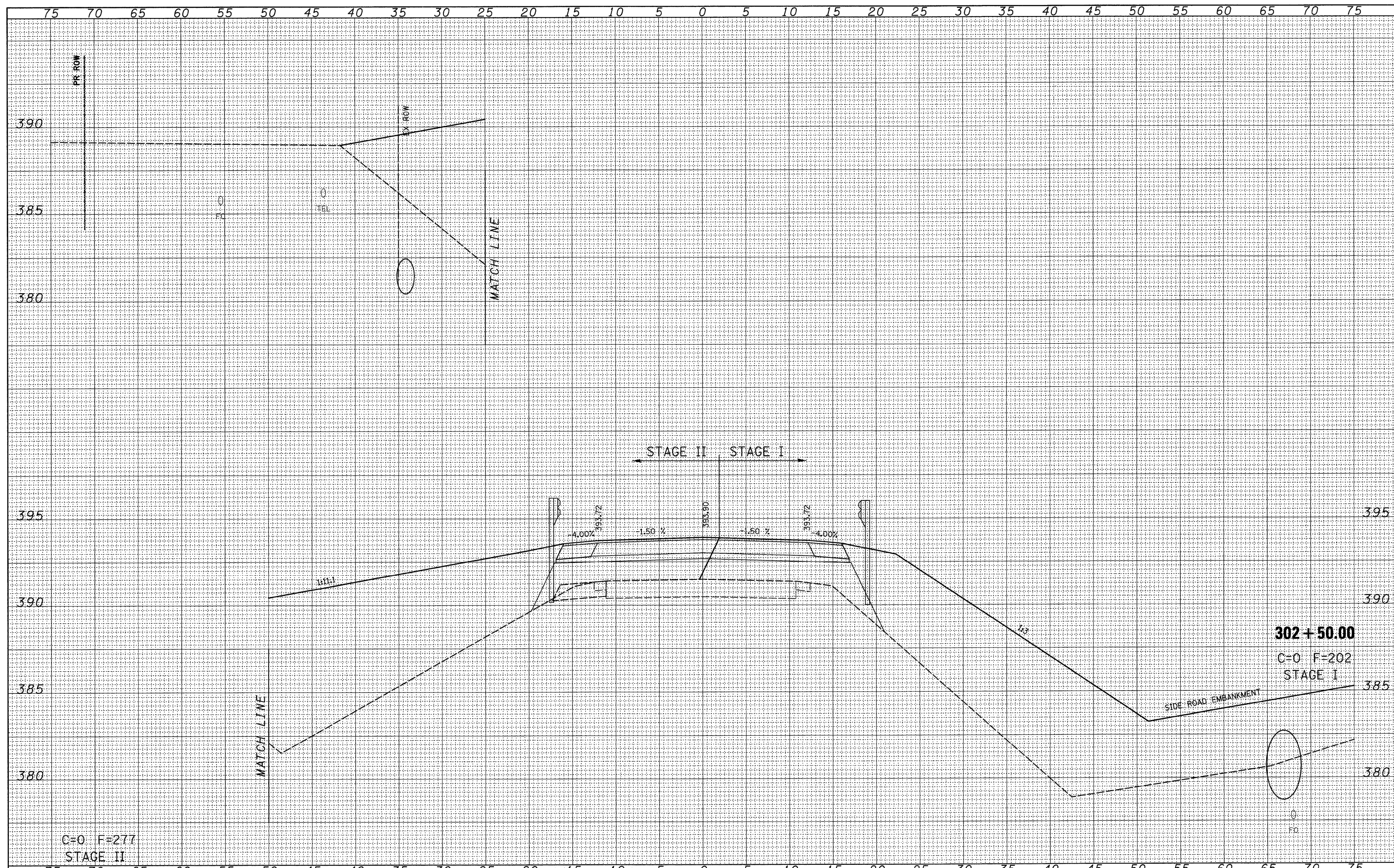
C-0 F-220  
STAGE I

FILE NAME = P:\0340601_04.FIN\0960055\Drawings\Xsecos\1617Xsecsheet.dgn	USER NAME = rook	DESIGNED -	REVISIONS -	<b>STATE OF ILLINOIS</b> <b>DEPARTMENT OF TRANSPORTATION</b>	<b>IL RTE 15</b>	F.A.P. RTE. 823	SECTION (22BY-1,22BY2,22BRIB-1)	COUNTY WAYNE	TOTAL SHEETS 142	SHEET NO. 106	
PLOT SCALE = 5,0000' / IN.	PLOT DATE = 3/26/2009	DRAWN -	REVISIONS -			SCALE: SHEET NO. 26 OF 41 SHEETS	STA. 300+50.00 TO STA. 300+50.00	FED. ROAD DIST. NO.	ILLINOIS FED. AID PROJECT	CONTRACT NO. 74238	
		CHECKED -	REVISIONS -								
		DATE -	REVISIONS -								



FINAL SURVEY	BY	DATE
SURVEYED		
PLOTTED		
TEMPLATE		
NOTE BOOK		
AREAS CHECKED		
NO.		

ORIGINAL SURVEY	BY	DATE
SURVEYED		
PLOTTED		
TEMPLATE		
NOTE BOOK		
AREAS CHECKED		
NO.		

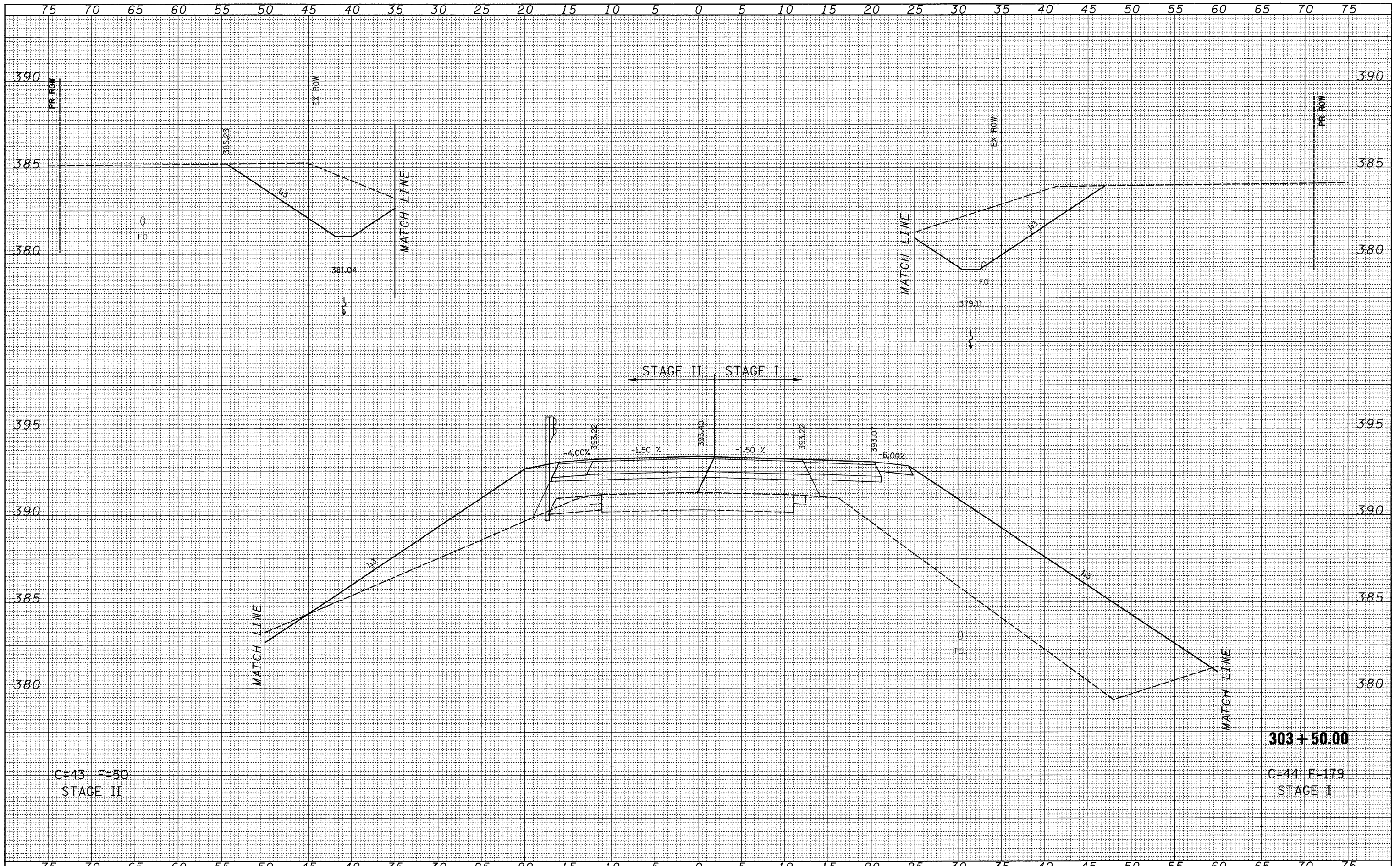


FILE NAME =	USER NAME = rook	DESIGNED -	REVISED -	<b>STATE OF ILLINOIS</b> <b>DEPARTMENT OF TRANSPORTATION</b>	<b>IL RTE 15</b>	F.A.P. RTE.	SECTION	COUNTY	TOTAL SHEETS	SHEET NO.
P:\0348601_04_FIN0960055\Drawings\secs\1617Xsec\sheet.dgn		DRAWN -	REVISED -			823	(22BY-1,22BY2,22BR)B-1	WAYNE	142	107
PLOT SCALE = 5,0000' / IN.		CHECKED -	REVISED -			CONTRACT NO. 74238				
PLOT DATE = 3/26/2009		DATE -	REVISED -			FED. ROAD DIST. NO. ILLINOIS FED. AID PROJECT				
SCALE:						SHEET NO. 27 OF 41 SHEETS		STA. 302+50.00 TO STA. 302+50.00		









DATE	
BY	
DESIGNED	
PLOTTED	
TEMPLATE	
AREAS CHECKED	
NO.	
FINISH SURVEY	
NOTE BOOK	
NO.	

DATE	
BY	
DESIGNED	
PLOTTED	
TEMPLATE	
AREAS CHECKED	
NO.	
ORIGINAL SURVEY	
NOTE BOOK	
NO.	

C-13 F=50  
STAGE II

**303+50.00**  
C-44 F=179  
STAGE I

FILE NAME =	USER NAME = rcook	DESIGNED -	REVISED -	<b>STATE OF ILLINOIS</b> <b>DEPARTMENT OF TRANSPORTATION</b>	<b>IL RTE 15</b>	F.A.P. RTE.	SECTION	COUNTY	TOTAL SHEETS	SHEET NO.
P:\0340601_04\FIN0960055\Drawings\sscs\1617\sheet.dgn		DRAWN -	REVISED -			823	(22BY-1,22BY2,22BR1B-1	WAYNE	142	109
PLOT SCALE = 5.0000' / IN.		CHECKED -	REVISED -			CONTRACT NO. 74238				
PLOT DATE = 3/26/2009		DATE -	REVISED -			SCALE:	SHEET NO. 29 OF 41 SHEETS	STA. 303+50.00 TO STA. 303+50.00	FED. ROAD DIST. NO.	ILLINOIS FED. AID PROJECT

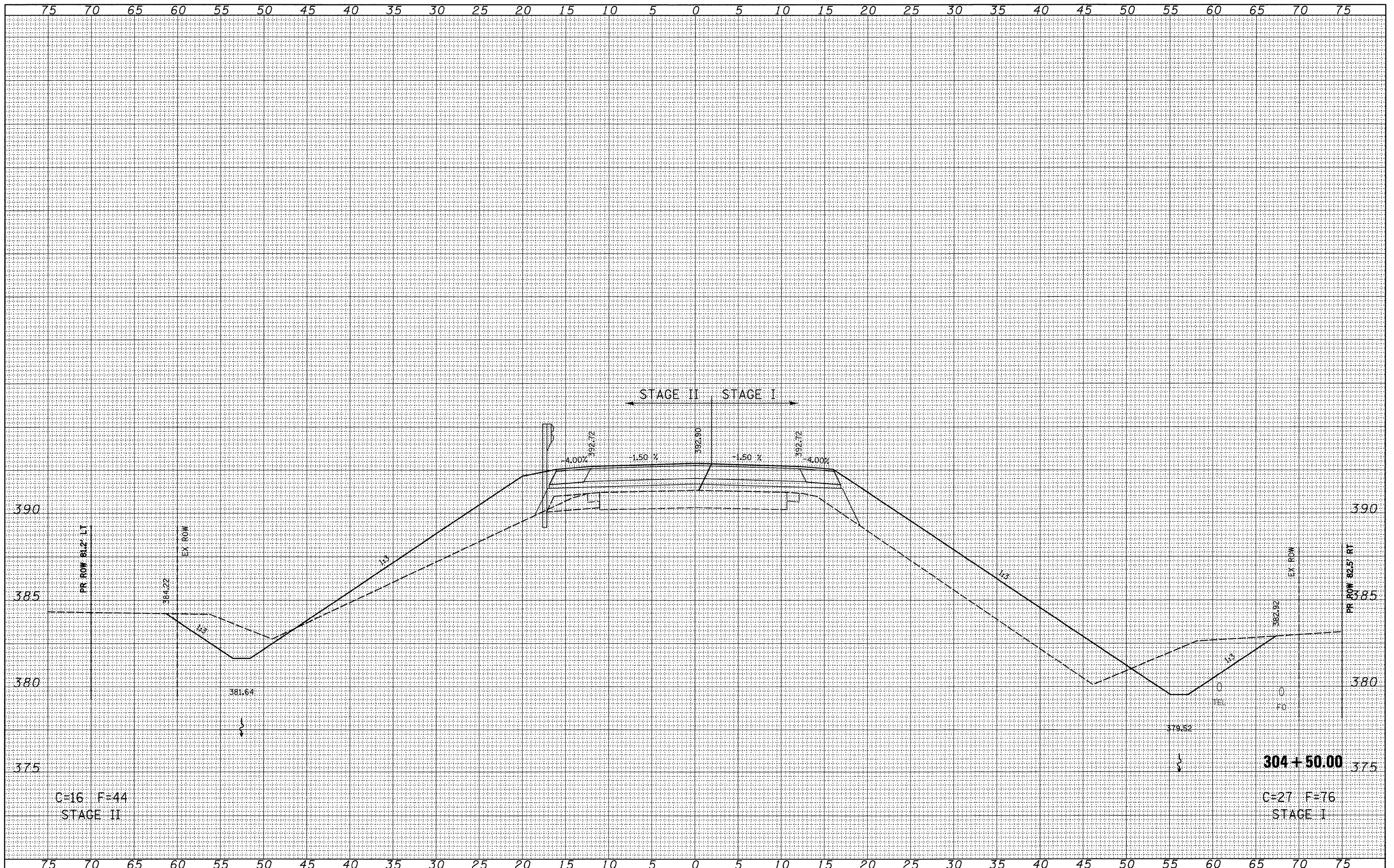






FINAL SURVEY	SURVEYED	BY	DATE
NOTE BOOK	PLOTTED		
NO.	TEMPLATE		
	AREAS		
	CHECKED		

ORIGINAL SURVEY	SURVEYED	BY	DATE
NOTE BOOK	PLOTTED		
NO.	TEMPLATE		
	AREAS		
	CHECKED		



C=16 F=44  
STAGE II

304 + 50.00  
C=27 F=76  
STAGE I

FILE NAME = P:\0340601.04\FIN0960055\Drawings\Xsecs\1617Xsectsheet.dgn

USER NAME = rook  
PLOT SCALE = 5,0000 ' / IN.  
PLOT DATE = 3/26/2009

DESIGNED -  
DRAWN -  
CHECKED -  
DATE -

REVISED -  
REVISED -  
REVISED -  
REVISED -

STATE OF ILLINOIS  
DEPARTMENT OF TRANSPORTATION

IL RTE 15

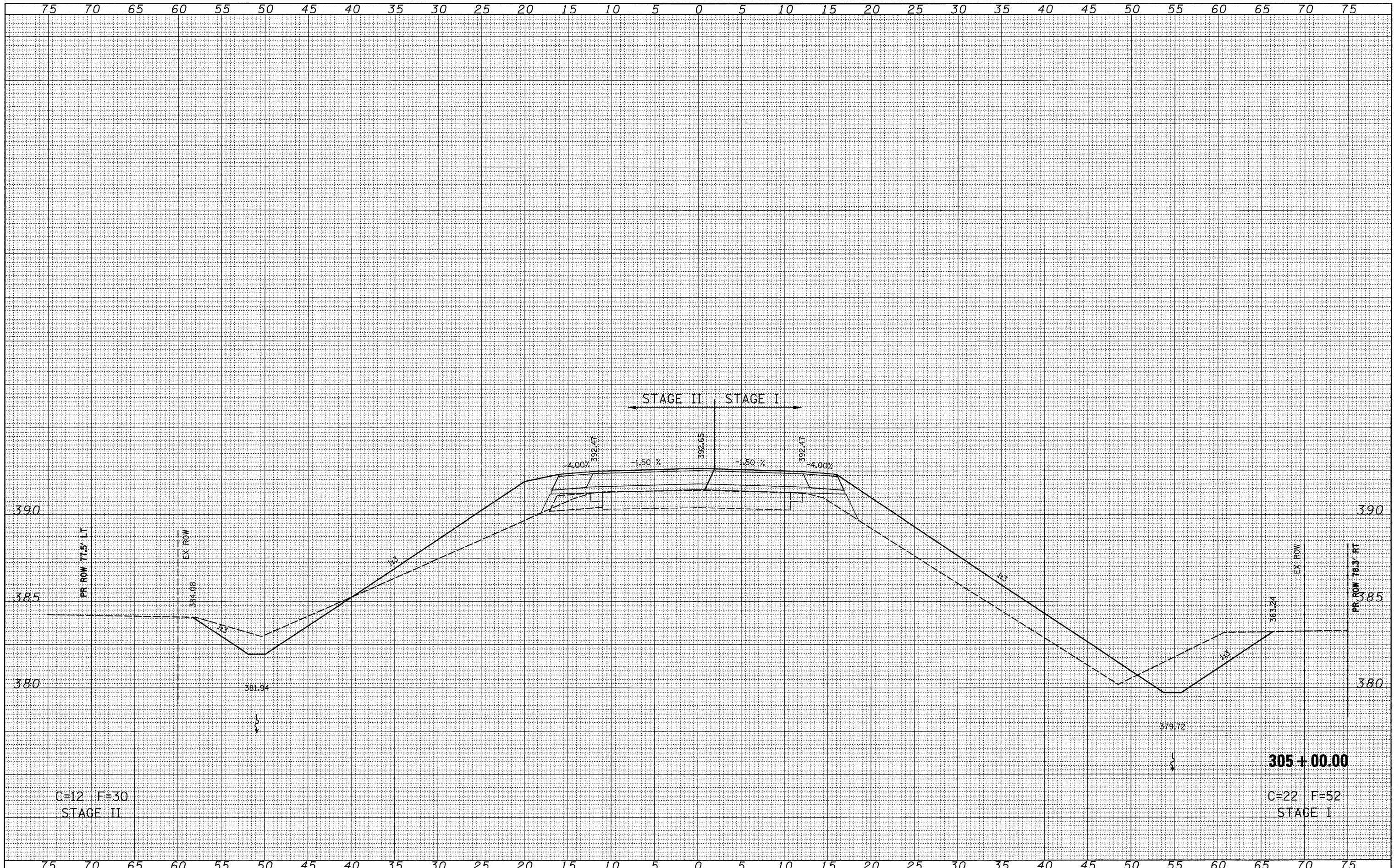
SCALE: SHEET NO. 31 OF 41 SHEETS STA. 304+50.00 TO STA. 304+50.00

F.A.P. RTE.	SECTION	COUNTY	TOTAL SHEETS	SHEET NO.
823	(22BY-1,22BY2,22BRIB-1	WAYNE	142	111
CONTRACT NO. 74238				
FED. ROAD DIST. NO.		ILLINOIS FED. AID PROJECT		



DATE	
BY	
DESIGNED	
DRAWN	
CHECKED	
DATE	
REVISIONS	
NO.	

DATE	
BY	
DESIGNED	
DRAWN	
CHECKED	
DATE	
REVISIONS	
NO.	



FILE NAME = P:\034060L\04.FIN\0960055\Drawings\seca\1617sheet.dgn  
 USER NAME = rook  
 PLOT SCALE = 5.0000' / IN.  
 PLOT DATE = 3/26/2009

DESIGNED -  
 DRAWN -  
 CHECKED -  
 DATE -

REVISED -  
 REVISED -  
 REVISED -  
 REVISED -

STATE OF ILLINOIS  
 DEPARTMENT OF TRANSPORTATION

IL RTE 15

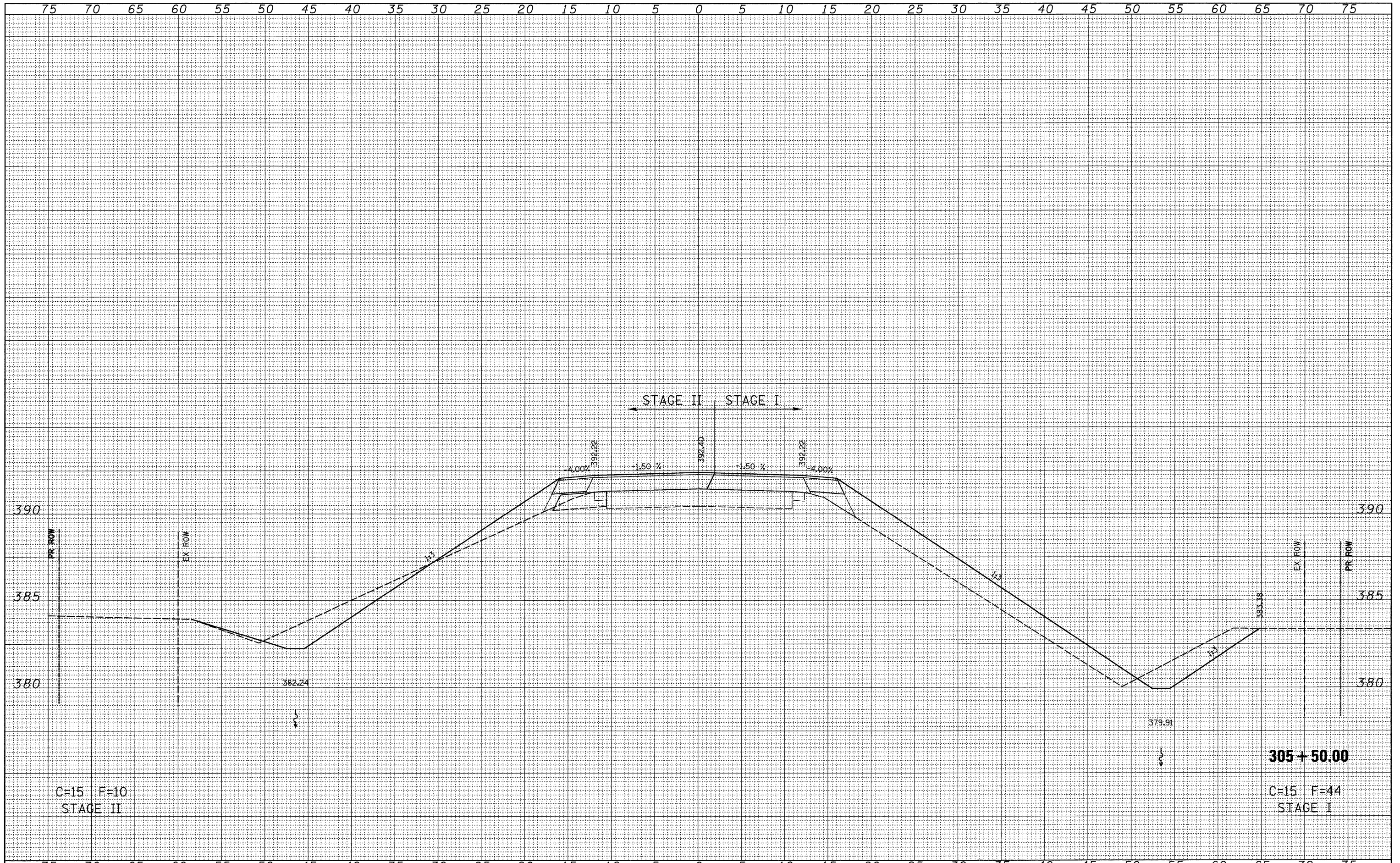
SCALE: SHEET NO. 32 OF 41 SHEETS STA. 305+00.00 TO STA. 305+00.00

F.A.P. RTE.	SECTION	COUNTY	TOTAL SHEETS	SHEET NO.
823	(22BY-1,22BY2,22BRIB-1	WAYNE	142	112
CONTRACT NO. 74238				
FED. ROAD DIST. NO. ILLINOIS FED. AID PROJECT				



FINAL SURVEY	CHECKED	BY	DATE
NOTE BOOK	PLOTTED		
NO.	TEMPLATE		
	AREAS		
	CHECKED		

ORIGINAL SURVEY	CHECKED	BY	DATE
NOTE BOOK	PLOTTED		
NO.	TEMPLATE		
	AREAS		
	CHECKED		



FILE NAME =	USER NAME = rook	DESIGNED -	REVISED -	F.A.P. RTE.	SECTION	COUNTY	TOTAL SHEETS	SHEET NO.
P:\0340601_04\FIN0960055\Drawings\seas\1617Xsheet.dgn		DRAWN -	REVISED -	823	(22BY-1,22BY2,22BR)B-1	WAYNE	142	113
PLOT SCALE = 5.0000' / IN.		CHECKED -	REVISED -	SCALE:		SHEET NO. 33 OF 41 SHEETS		STA. 305+50.00 TO STA. 305+50.00
PLOT DATE = 3/26/2009		DATE -	REVISED -	FED. ROAD DIST. NO.		ILLINOIS FED. AID PROJECT		CONTRACT NO. 74238

STATE OF ILLINOIS  
DEPARTMENT OF TRANSPORTATION

IL RTE 15

305 + 50.00

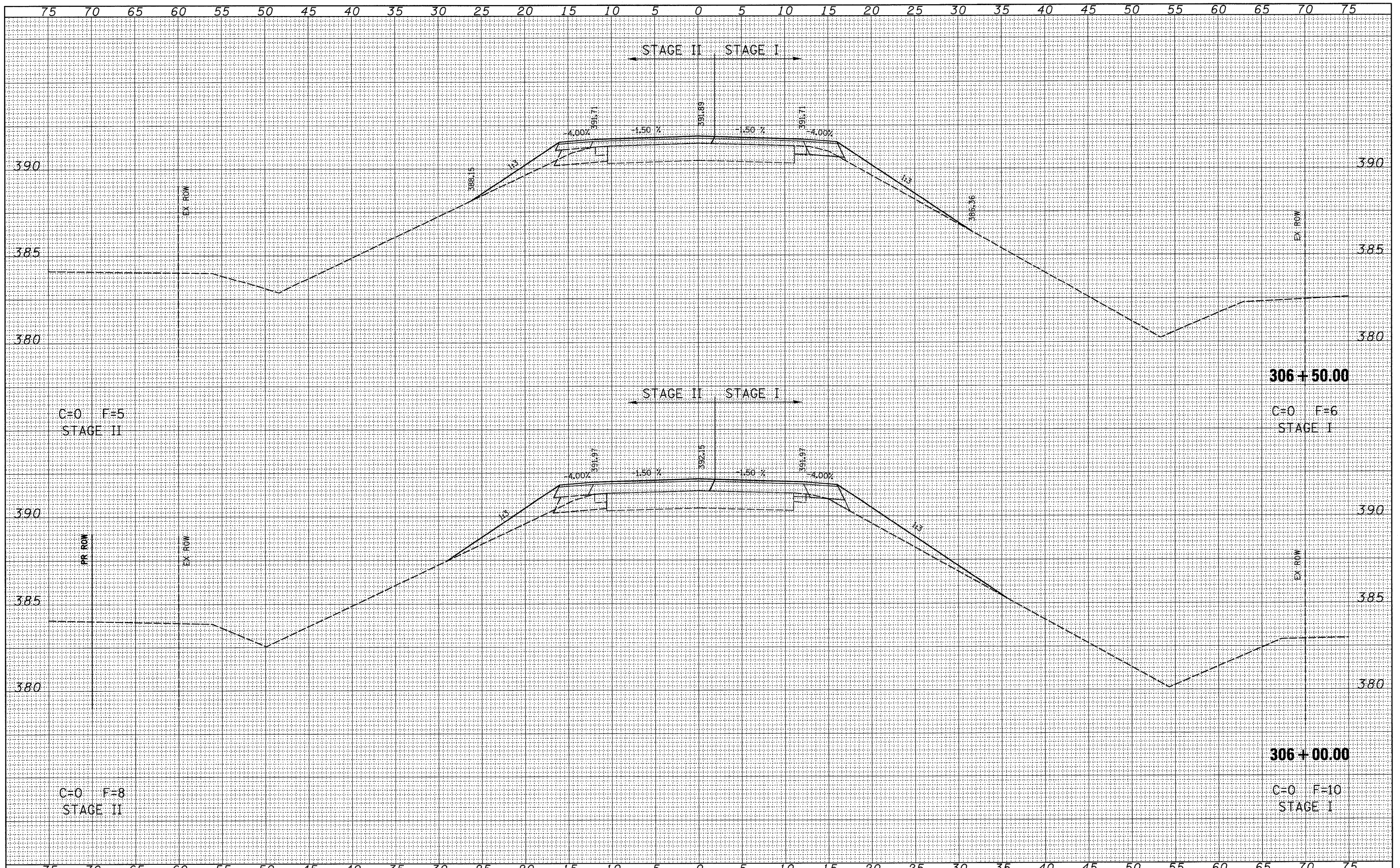
C=15 F=44  
STAGE I

C=15 F=10  
STAGE II



DATE	
BY	
DESIGNED	
DRAWN	
CHECKED	
DATE	
REVISIONS	
NO.	

DATE	
BY	
DESIGNED	
DRAWN	
CHECKED	
DATE	
REVISIONS	
NO.	



FILE NAME =	USER NAME = rook	DESIGNED -	REVISED -	<b>STATE OF ILLINOIS</b> <b>DEPARTMENT OF TRANSPORTATION</b>	<b>IL RTE 15</b>	F.A.P. RTE.	SECTION	COUNTY	TOTAL SHEETS	SHEET NO.
P:\0340601.04.FIN0960055\Drawings\Xsecs\1617Xsec\sheet.dgn	DRAWN -	REVISED -	823			(22BY-1,22BY2,22BR)B-1	WAYNE	142	114	
PLOT SCALE = 5.0000' / IN.	CHECKED -	REVISED -	CONTRACT NO. 74238							
PLOT DATE = 3/26/2009	DATE -	REVISED -	ILLINOIS FED. AID PROJECT							
SCALE:						SHEET NO. 34 OF 41 SHEETS	STA. 305+96.06 TO STA. 306+50.00			





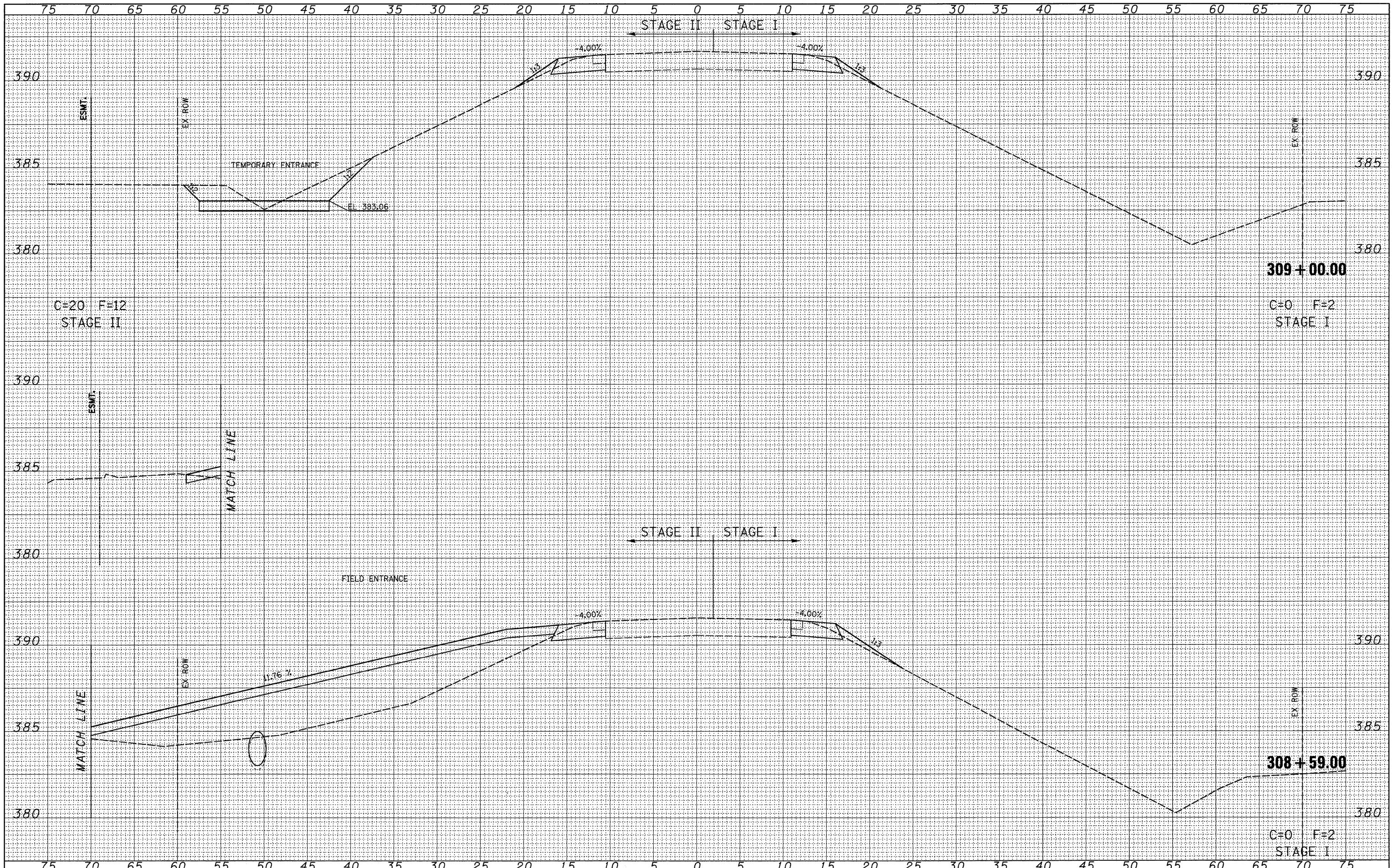






DATE	
BY	
FINISHED	
SURVEY	
PLOTTED	
NOTE BOOK	
TEMPLATE	
AREAS	
CHECKED	
NO.	

DATE	
BY	
ORIGINAL	
SURVEY	
PLOTTED	
NOTE BOOK	
TEMPLATE	
AREAS	
CHECKED	
NO.	

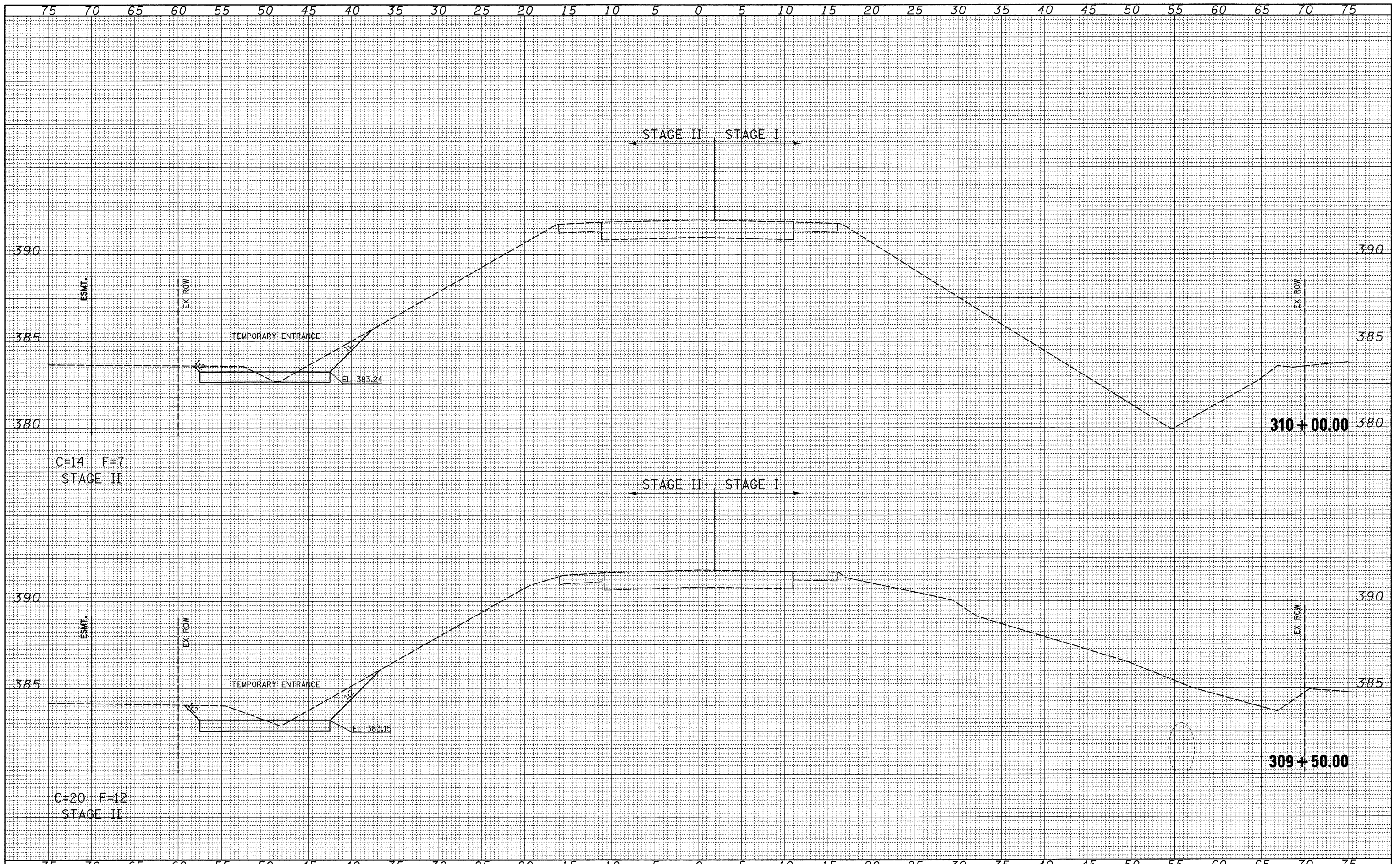


FILE NAME =	USER NAME = rook	DESIGNED -	REVISED -	<b>STATE OF ILLINOIS</b> <b>DEPARTMENT OF TRANSPORTATION</b>	<b>IL RTE 15</b> SCALE: SHEET NO. 37 OF 41 SHEETS STA. 308+59.00 TO STA. 309+00.00	F.A.P. RTE.	SECTION	COUNTY	TOTAL SHEETS	SHEET NO.	
P:\0340601.04.FIN0960055\Drawings\Xsections\1617\sheet.dgn		DRAWN -	REVISED -			823	(22BY-1,22BY2,22BR1B-1)	WAYNE	142	117	
PLOT SCALE = 5,0000' / IN.		CHECKED -	REVISED -			CONTRACT NO. 74238					
PLOT DATE = 3/26/2009		DATE -	REVISED -			FED. ROAD DIST. NO. ILLINOIS FED. AID PROJECT					



DATE	
BY	
DESIGNED	
DRAWN	
CHECKED	
DATE	

DATE	
BY	
DESIGNED	
DRAWN	
CHECKED	
DATE	



FILE NAME = P:\0340601.04\FIN0960055\Drawings\seccs\1617\sheet.dgn  
 USER NAME = rook  
 PLOT SCALE = 5.0000' / IN.  
 PLOT DATE = 3/26/2009

DESIGNED -  
 DRAWN -  
 CHECKED -  
 DATE -

REVISED -  
 REVISED -  
 REVISED -  
 REVISED -

STATE OF ILLINOIS  
 DEPARTMENT OF TRANSPORTATION

IL RTE 15

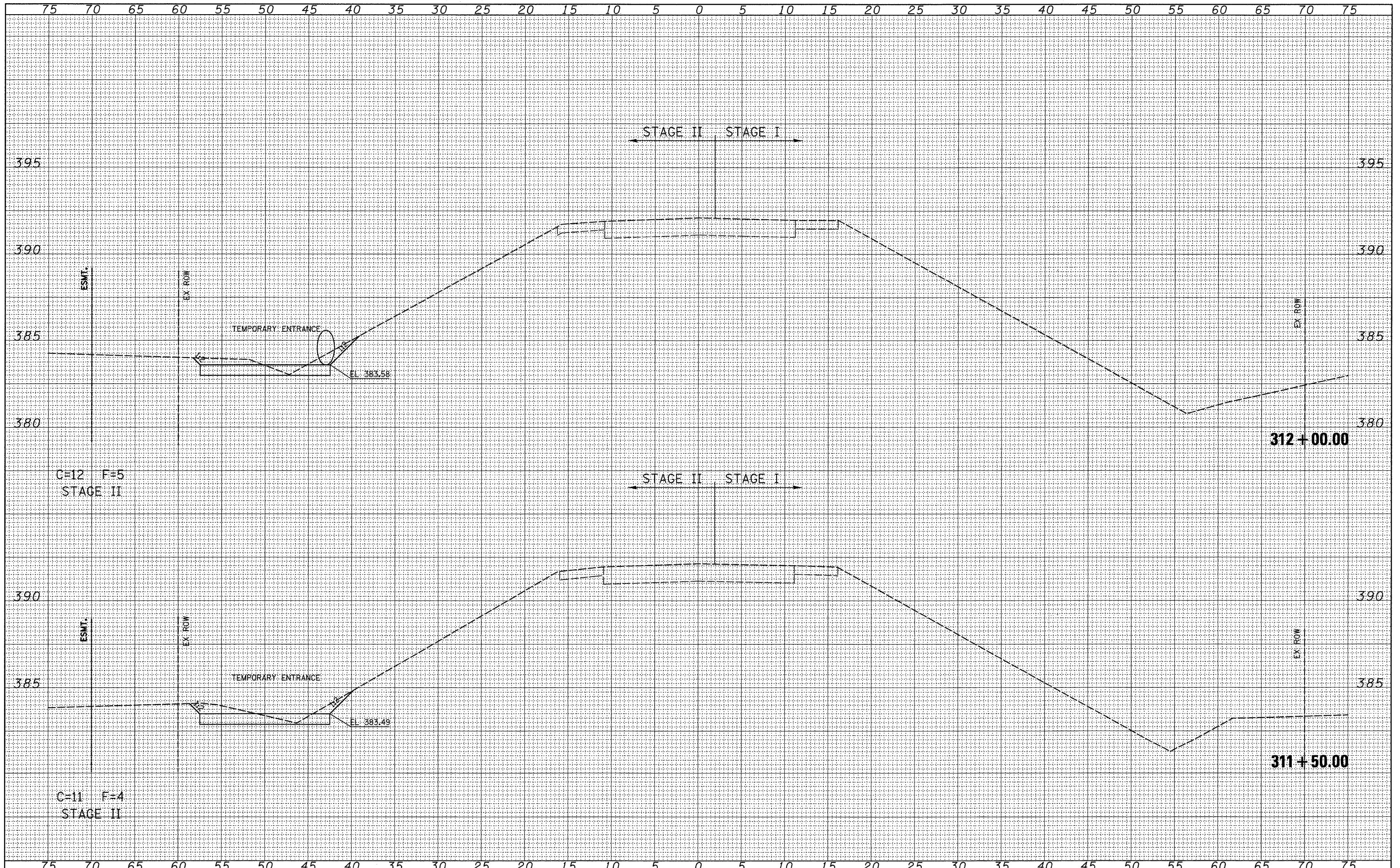
SCALE: SHEET NO. 38 OF 41 SHEETS STA. 309+50.00 TO STA. 310+00.00

F.A.P. RTE.	SECTION	COUNTY	TOTAL SHEETS	SHEET NO.
823	(22BY-1,22BY2,22BR)B-1	WAYNE	142	118
CONTRACT NO. 74238				
FED. ROAD DIST. NO.		ILLINOIS FED. AID PROJECT		



DATE	
BY	
DESIGNED	
DRAWN	
CHECKED	
DATE	
REVISIONS	
NO.	

DATE	
BY	
DESIGNED	
DRAWN	
CHECKED	
DATE	
REVISIONS	
NO.	



FILE NAME = P:\0340601\04\FIN0960055\Drawings\ssos\1617\sheet.dgn  
 USER NAME = rook  
 PLOT SCALE = 5.0000' / IN.  
 PLOT DATE = 3/26/2009

DESIGNED	-	REVISED	-
DRAWN	-	REVISED	-
CHECKED	-	REVISED	-
DATE	-	REVISED	-

**STATE OF ILLINOIS  
 DEPARTMENT OF TRANSPORTATION**

**IL RTE 15**

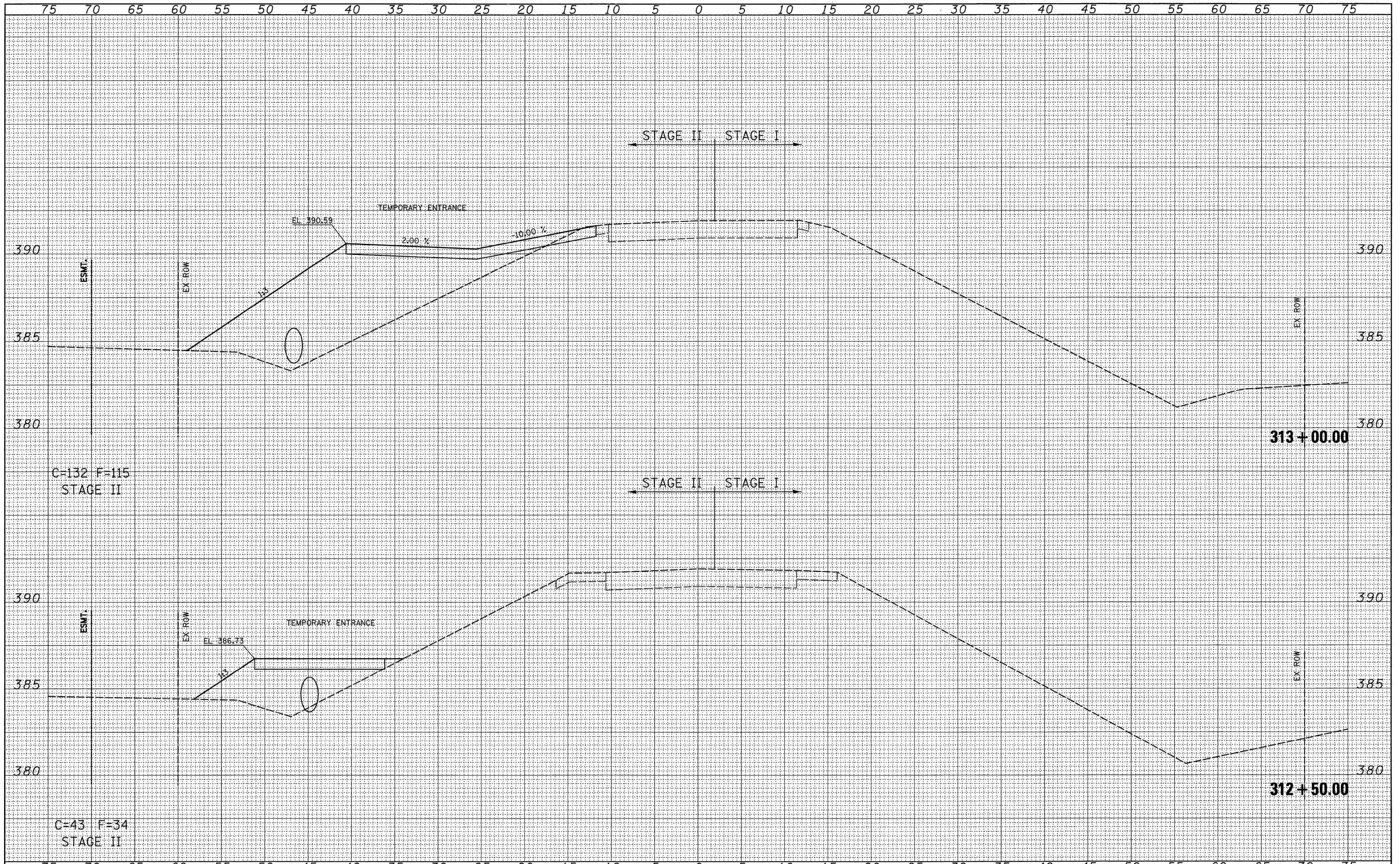
SCALE: SHEET NO. 39 OF 41 SHEETS STA. 311+50.00 TO STA. 312+00.00

F.A.P. RTE.	SECTION	COUNTY	TOTAL SHEETS	SHEET NO.
823	(22BY-1,22BY2,22BRIB-1)	WAYNE	142	119
FED. ROAD DIST. NO.				ILLINOIS FED. AID PROJECT
CONTRACT NO. 74238				



DATE	
BY	
DESIGNED	
DRAWN	
CHECKED	
DATE	
BY	
DESIGNED	
DRAWN	
CHECKED	
DATE	
BY	
DESIGNED	
DRAWN	
CHECKED	
DATE	
BY	
DESIGNED	
DRAWN	
CHECKED	
DATE	

DATE	
BY	
DESIGNED	
DRAWN	
CHECKED	
DATE	
BY	
DESIGNED	
DRAWN	
CHECKED	
DATE	
BY	
DESIGNED	
DRAWN	
CHECKED	
DATE	
BY	
DESIGNED	
DRAWN	
CHECKED	
DATE	

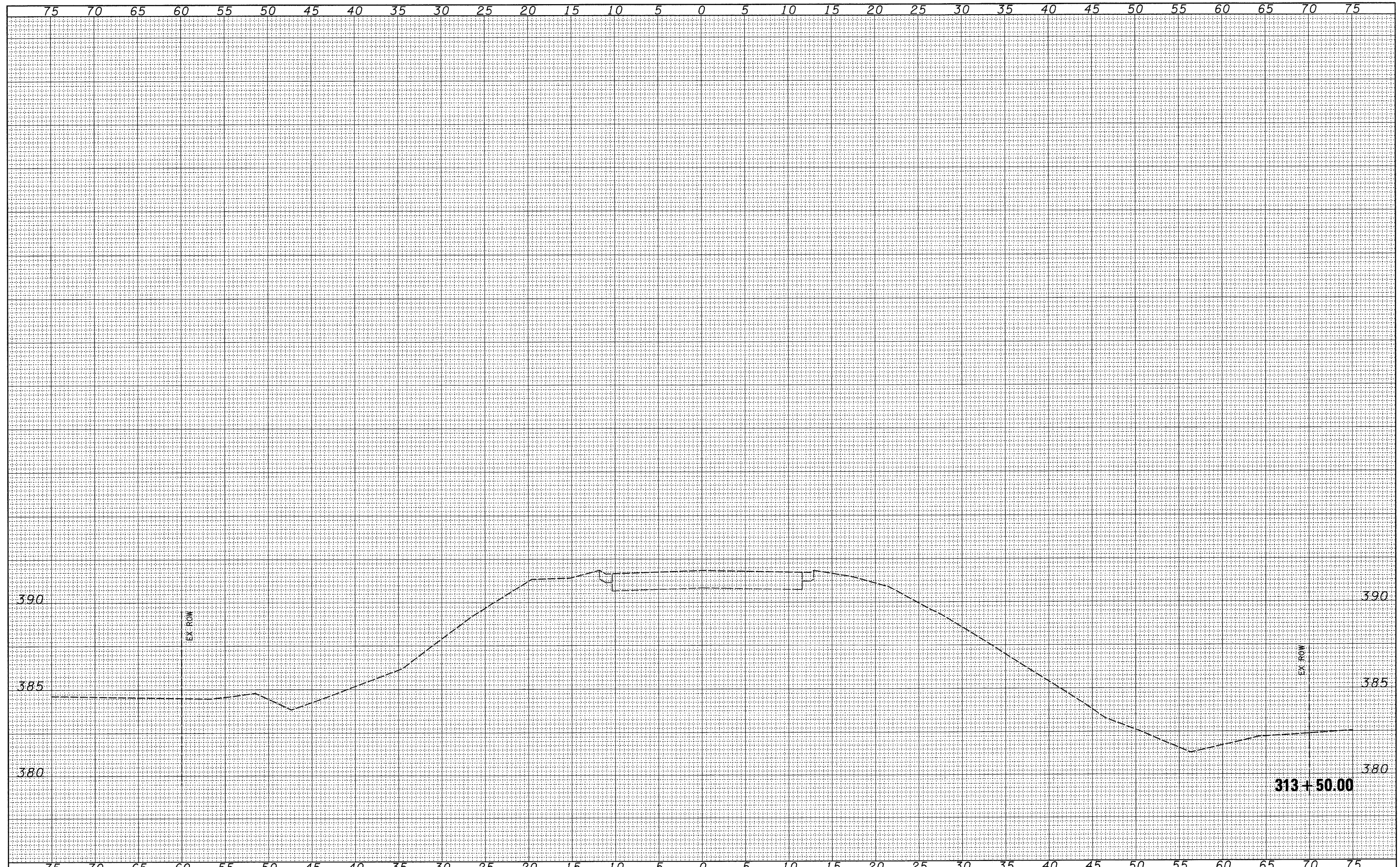


FILE NAME =	USER NAME = rook	DESIGNED -	REVISED -	<b>STATE OF ILLINOIS</b> <b>DEPARTMENT OF TRANSPORTATION</b>	<b>IL RTE 15</b>	F.A.P. RTE.	SECTION	COUNTY	TOTAL SHEETS	SHEET NO.	
P:\0340601_04_FIN0960055\Drawings\sscs\1617\sheet.dgn		DRAWN -	REVISED -			823	(22BY-1,22BY2,22BRIB-1)	WAYNE	142	120	
PLOT SCALE = 5.0000' / IN.		CHECKED -	REVISED -			CONTRACT NO. 74238					
PLOT DATE = 3/26/2009		DATE -	REVISED -			FED. ROAD DIST. NO. ILLINOIS FED. AID PROJECT					
SCALE:		SHEET NO. 40 OF 41 SHEETS		STA. 312+50.00 TO STA. 313+00.00							



DATE	
BY	
DESIGNED	
DRAWN	
CHECKED	
DATE	
REVISIONS	
NO.	

DATE	
BY	
DESIGNED	
DRAWN	
CHECKED	
DATE	
REVISIONS	
NO.	

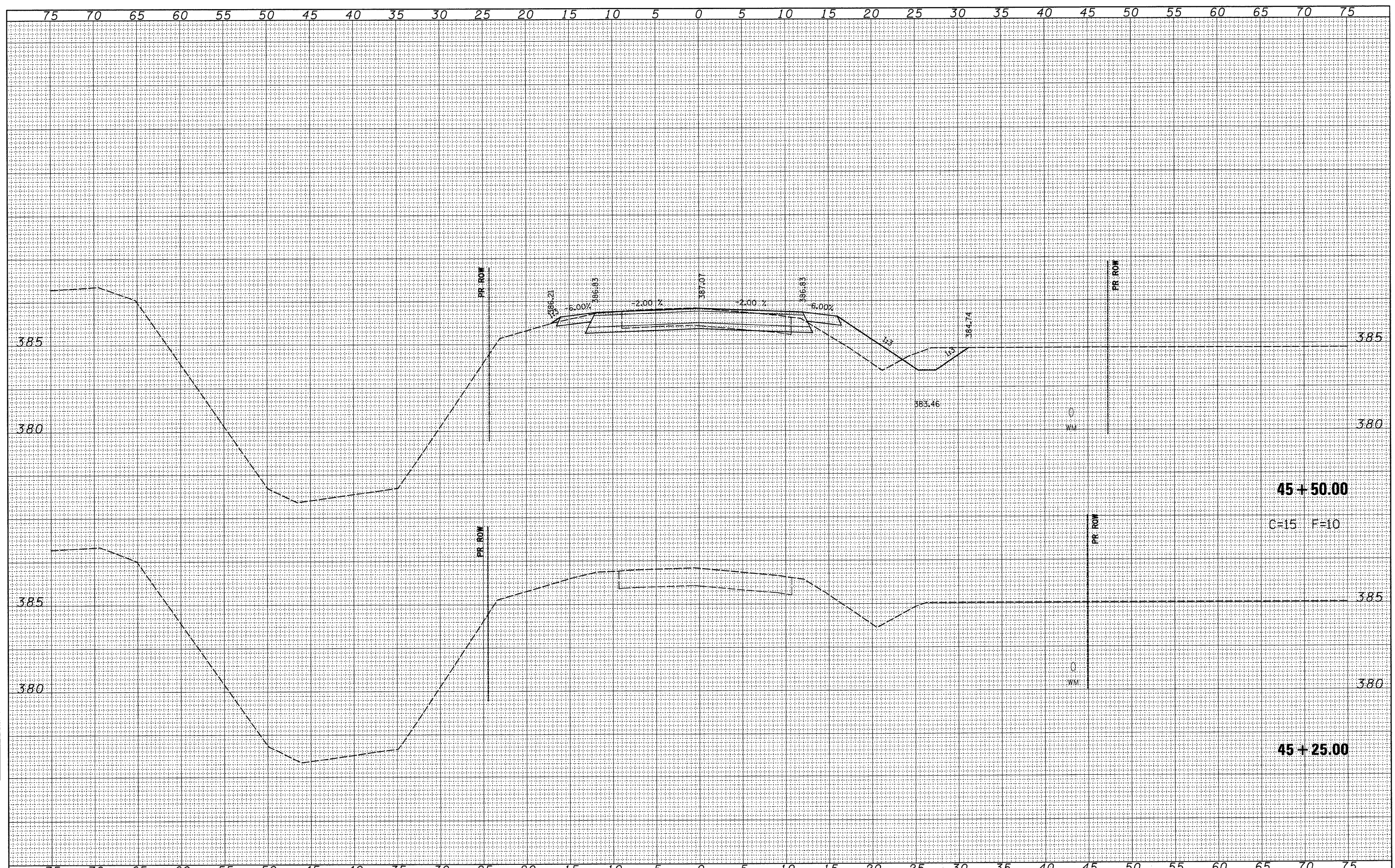


FILE NAME =	USER NAME = rcook	DESIGNED -	REVISIONS -	<b>STATE OF ILLINOIS</b> <b>DEPARTMENT OF TRANSPORTATION</b>	<b>IL RTE 15</b>	F.A.P. RTE.	SECTION	COUNTY	TOTAL SHEETS	SHEET NO.
P:\0340601.04.FIN0960055\Drawings\secs\1617Xsectsheet.dgn	DRAWN -	REVISIONS -	823			(22BY-1,22BY2,22BR)B-1	WAYNE	142	121	
PLOT SCALE = 5.0000' / IN.	CHECKED -	REVISIONS -	CONTRACT NO. 74238							
PLOT DATE = 3/26/2009	DATE -	REVISIONS -	SCALE:			SHEET NO. 41 OF 41 SHEETS	STA. 313+50.00 TO STA. 313+50.00	FED. ROAD DIST. NO.	ILLINOIS FED. AID PROJECT	



DATE	
BY	
DESIGNED	
DRAWN	
CHECKED	
DATE	
FILE NAME	
USER NAME	
DESIGNED	
DRAWN	
CHECKED	
DATE	

DATE	
BY	
DESIGNED	
DRAWN	
CHECKED	
DATE	
FILE NAME	
USER NAME	
DESIGNED	
DRAWN	
CHECKED	
DATE	



FILE NAME =	USER NAME = rook	DESIGNED -	REVISED -	<b>STATE OF ILLINOIS</b> <b>DEPARTMENT OF TRANSPORTATION</b>	<b>DITCH BANK ROAD SOUTH</b>		F.A.P. RTE.	SECTION	COUNTY	TOTAL SHEETS	SHEET NO.
P:\0340601_04_FIN\0960055\Drawings\propdb\pshsheets.dgn		DRAWN -	REVISED -		823	(22BY-1,22BY2,22BR)B-1	WAYNE	142	122	CONTRACT NO. 74238	
PLOT SCALE = 5,000' / IN.		CHECKED -	REVISED -		SCALE:	SHEET NO. 1 OF 10 SHEETS	STA. 45+25.00 TO STA. 45+50.00	FED. ROAD DIST. NO.	ILLINOIS FED. AID PROJECT		
PLOT DATE = 3/26/2009		DATE -	REVISED -								

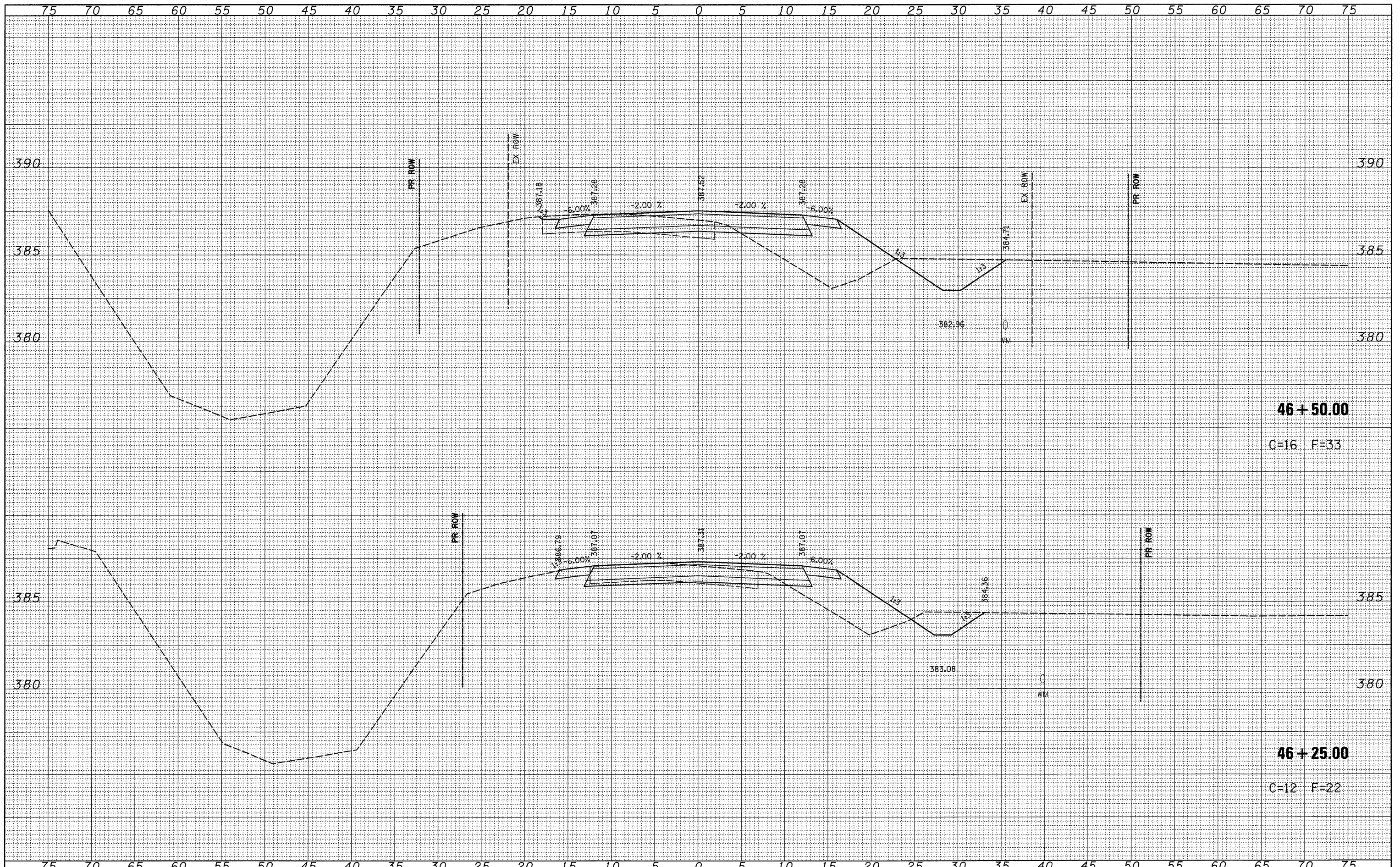






DATE	
BY	
DESIGNED	
DRAWN	
CHECKED	
DATE	
REVISIONS	
NO.	
DESCRIPTION	

DATE	
BY	
DESIGNED	
DRAWN	
CHECKED	
DATE	
REVISIONS	
NO.	
DESCRIPTION	



46+50.00

C=16 F=33

46+25.00

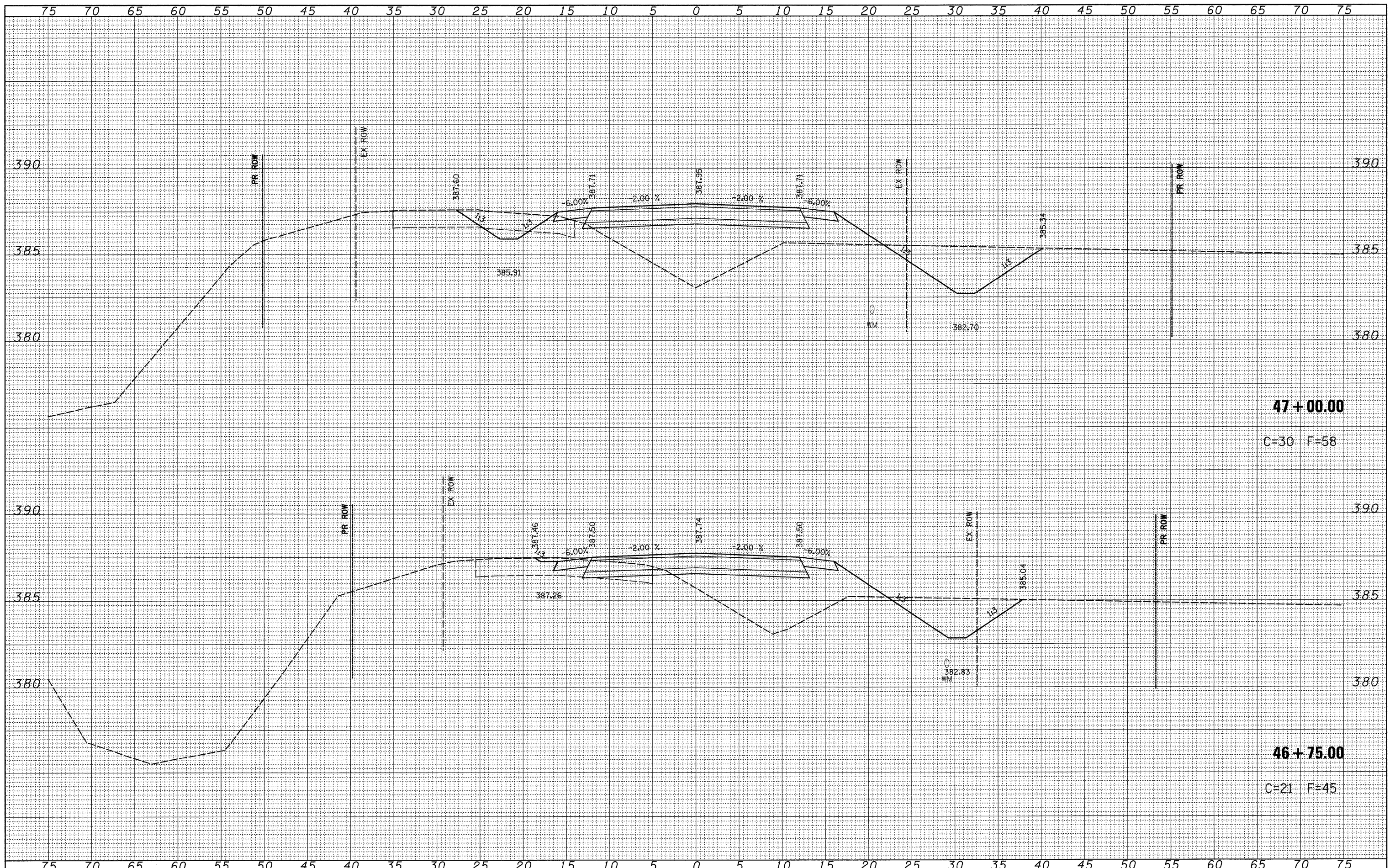
C=12 F=22

FILE NAME = P:\0340601_04\FIN0960055\Drawings\seas\propdb\outhsheets.dgn	USER NAME = rook	DESIGNED -	REVISIONS -	<b>STATE OF ILLINOIS</b> <b>DEPARTMENT OF TRANSPORTATION</b>	<b>DITCH BANK ROAD SOUTH</b>		F.A.P. RTE. 823	SECTION (22BY-1,22BY2,22BR)B-1	COUNTY WAYNE	TOTAL SHEETS 142	SHEET NO. 124
PLOT SCALE = 5.0000' / IN.		DRAWN -	REVISIONS -		SCALE:	SHEET NO. 3 OF 10 SHEETS	STA. 46+25.00 TO STA. 46+50.00	FED. ROAD DIST. NO.	ILLINOIS FED. AID PROJECT	CONTRACT NO. 74238	
PLOT DATE = 3/26/2009		CHECKED -	REVISIONS -								
		DATE -	REVISIONS -								



DATE	
BY	
DESIGNED	
DRAWN	
CHECKED	
DATE	
REVISIONS	
NO.	

DATE	
BY	
DESIGNED	
DRAWN	
CHECKED	
DATE	
REVISIONS	
NO.	



**47+00.00**  
C=30 F=58

**46+75.00**  
C=21 F=45

FILE NAME =	USER NAME = rook	DESIGNED -	REVISED -	<b>STATE OF ILLINOIS DEPARTMENT OF TRANSPORTATION</b>	<b>DITCH BANK ROAD SOUTH</b>	F.A.P. RTE.	SECTION	COUNTY	TOTAL SHEETS	SHEET NO.
P:\0340601.04.FIN\960055\Drawings\ssos\propdb\outhsheets.dgn		DRAWN -	REVISED -			823	(22BY-1,22BY2,22BR)B-1	WAYNE	142	125
PLOT SCALE = 5.0000' / IN.		CHECKED -	REVISED -			CONTRACT NO. 74238				
PLOT DATE = 3/26/2009		DATE -	REVISED -			ILLINOIS FED. AID PROJECT				
SCALE:						SHEET NO. 4 OF 10 SHEETS		STA. 46+75.00 TO STA. 47+00.00		

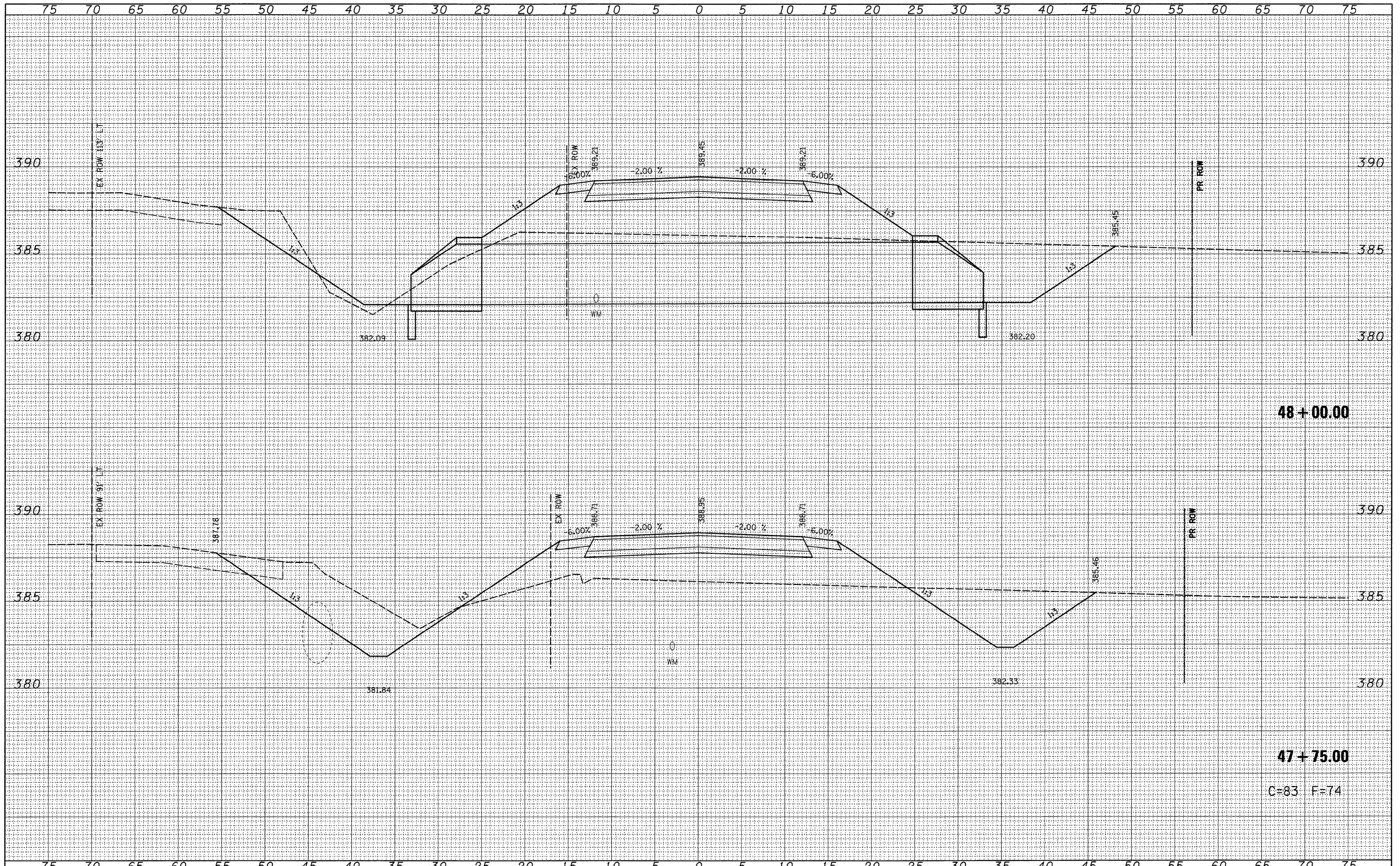






DATE	
BY	
DESIGNED	
DRAWN	
CHECKED	
REVISIONS	
NO.	

DATE	
BY	
DESIGNED	
DRAWN	
CHECKED	
REVISIONS	
NO.	



FILE NAME -	P:\0340601.04\FIN0960055\Drawings\sscs\propdb\p\0340601.dgn
USER NAME -	rcook
PLOT SCALE -	5.0000' / IN.
PLOT DATE -	3/26/2009

DESIGNED -	REVISIONS
DRAWN -	REVISIONS
CHECKED -	REVISIONS
DATE -	REVISIONS

**STATE OF ILLINOIS  
DEPARTMENT OF TRANSPORTATION**

**DITCH BANK ROAD SOUTH**

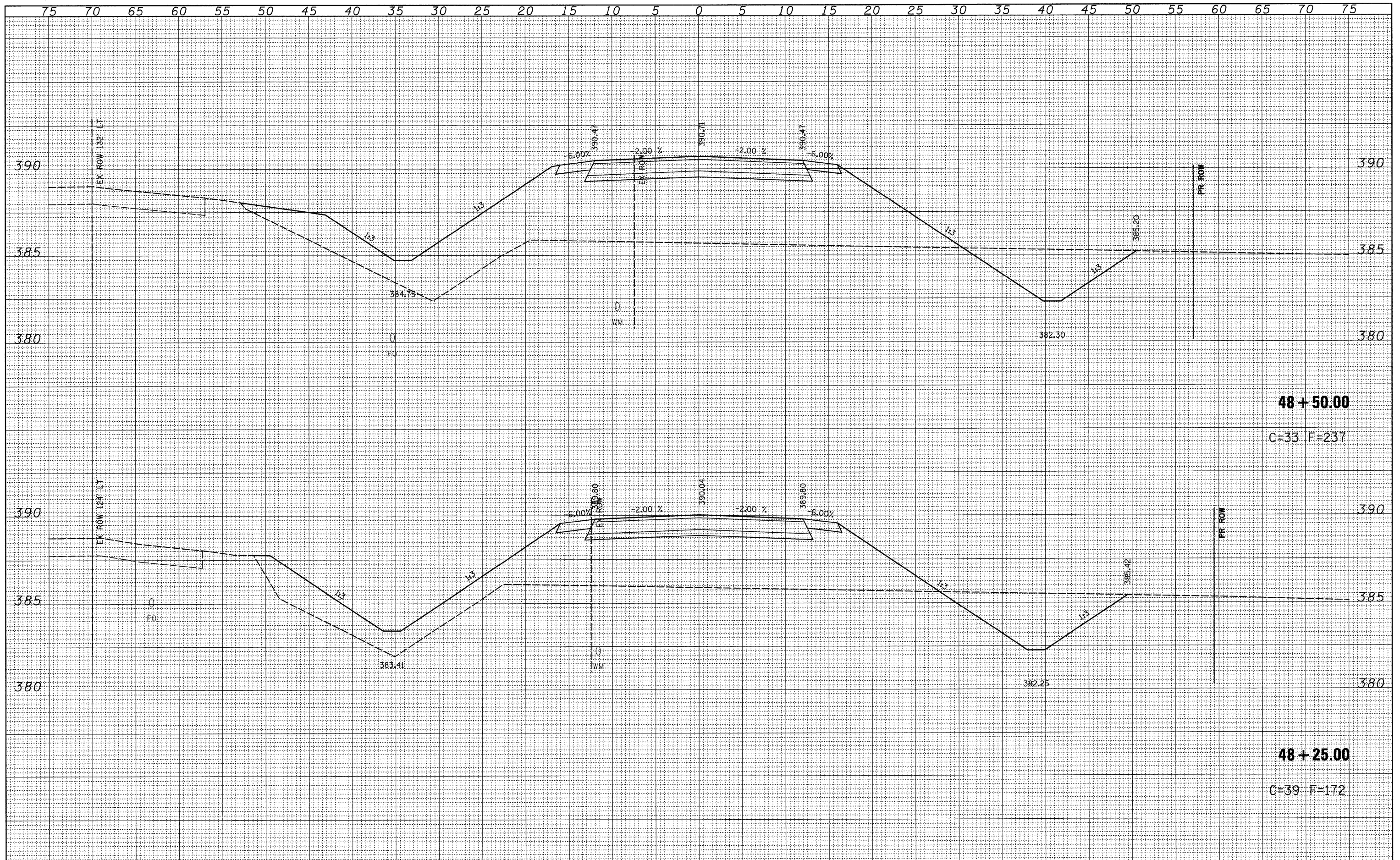
SCALE: SHEET NO. 6 OF 10 SHEETS STA. 47+75.00 TO STA. 48+00.00

F.A.P. RTE.	SECTION	COUNTY	TOTAL SHEETS	SHEET NO.
823	(22BY-1,22BY2,22BR)B-1	WAYNE	142	127
CONTRACT NO. 74238				
ILLINOIS FED. AID PROJECT				



DATE	
BY	
FINAL SURVEY	
SURVEYED	
NOTE BOOK	
TEMPLATE	
AREAS	
AREAS CHECKED	
NO.	

DATE	
BY	
ORIGINAL SURVEY	
SURVEYED	
NOTE BOOK	
TEMPLATE	
AREAS	
AREAS CHECKED	
NO.	



**48 + 50.00**  
C=33 F=237

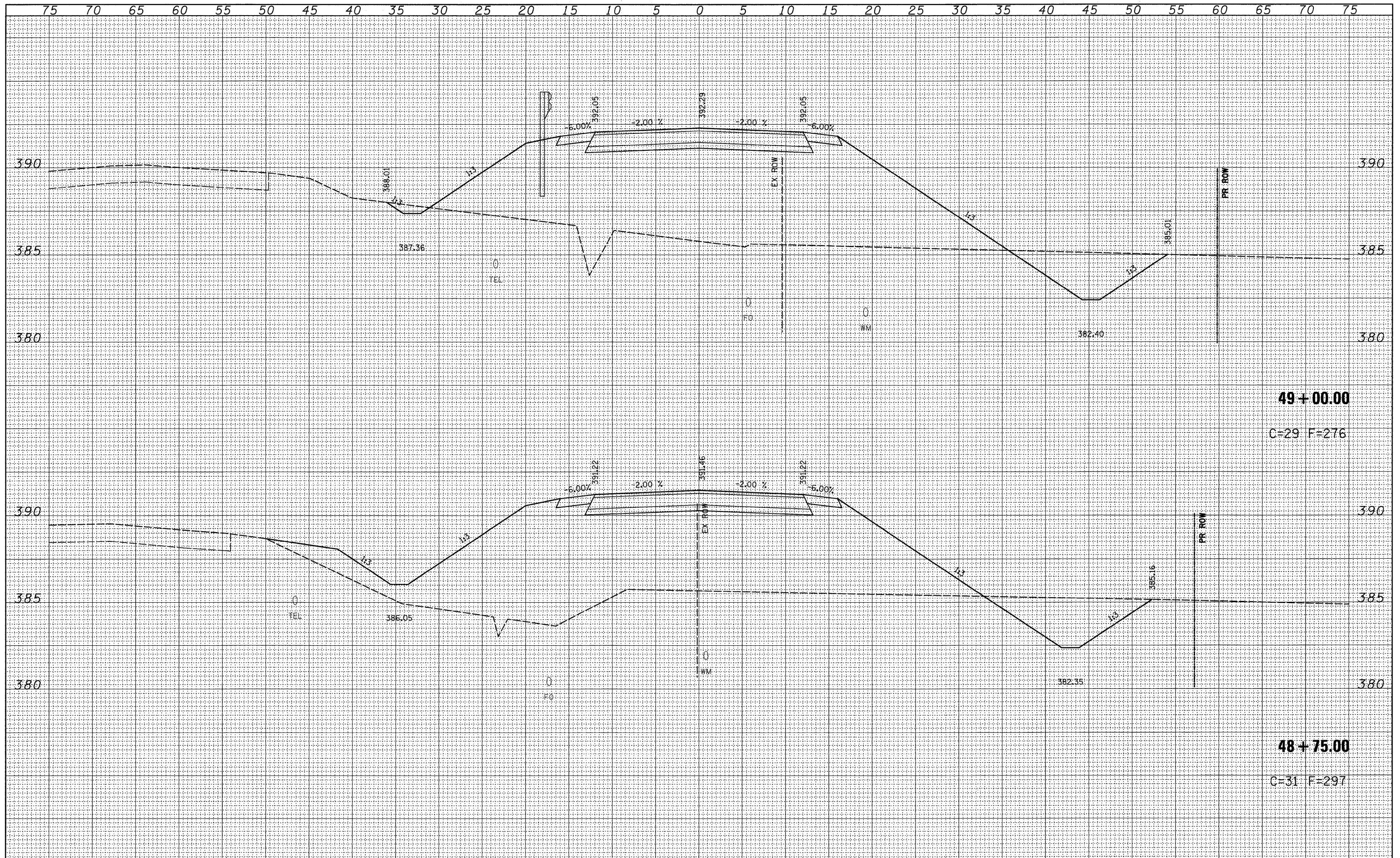
**48 + 25.00**  
C=39 F=172

FILE NAME = P:\0340601.04.FIN096055\Drawings\secs\propdb\shshts.dgn	USER NAME = rcook	DESIGNED -	REVISED -	<p align="center"><b>STATE OF ILLINOIS</b> <b>DEPARTMENT OF TRANSPORTATION</b></p>	DITCH BANK ROAD SOUTH			F.A.P. RTE. 823	SECTION (22BY-1,22BY2,22BR)B-1	COUNTY WAYNE	TOTAL SHEETS 142	SHEET NO. 128	
PLOT SCALE = 5.0000' / IN.	CHECKED -	REVISED -	REVISED -		SCALE:	SHEET NO. 7 OF 10 SHEETS	STA. 48+25.00 TO STA. 48+50.00	FED. ROAD DIST. NO.	ILLINOIS FED. AID PROJECT	CONTRACT NO. 74238			
PLOT DATE = 3/26/2009	DATE -	REVISED -	REVISED -										



DATE	
BY	
FINAL SURVEY	SURVEYED
NOTE BOOK	TEMPLATE
NO.	AREAS CHECKED

DATE	
BY	
ORIGINAL SURVEY	SURVEYED
NOTE BOOK	TEMPLATE
NO.	AREAS CHECKED



**49+00.00**  
C=29 F=276

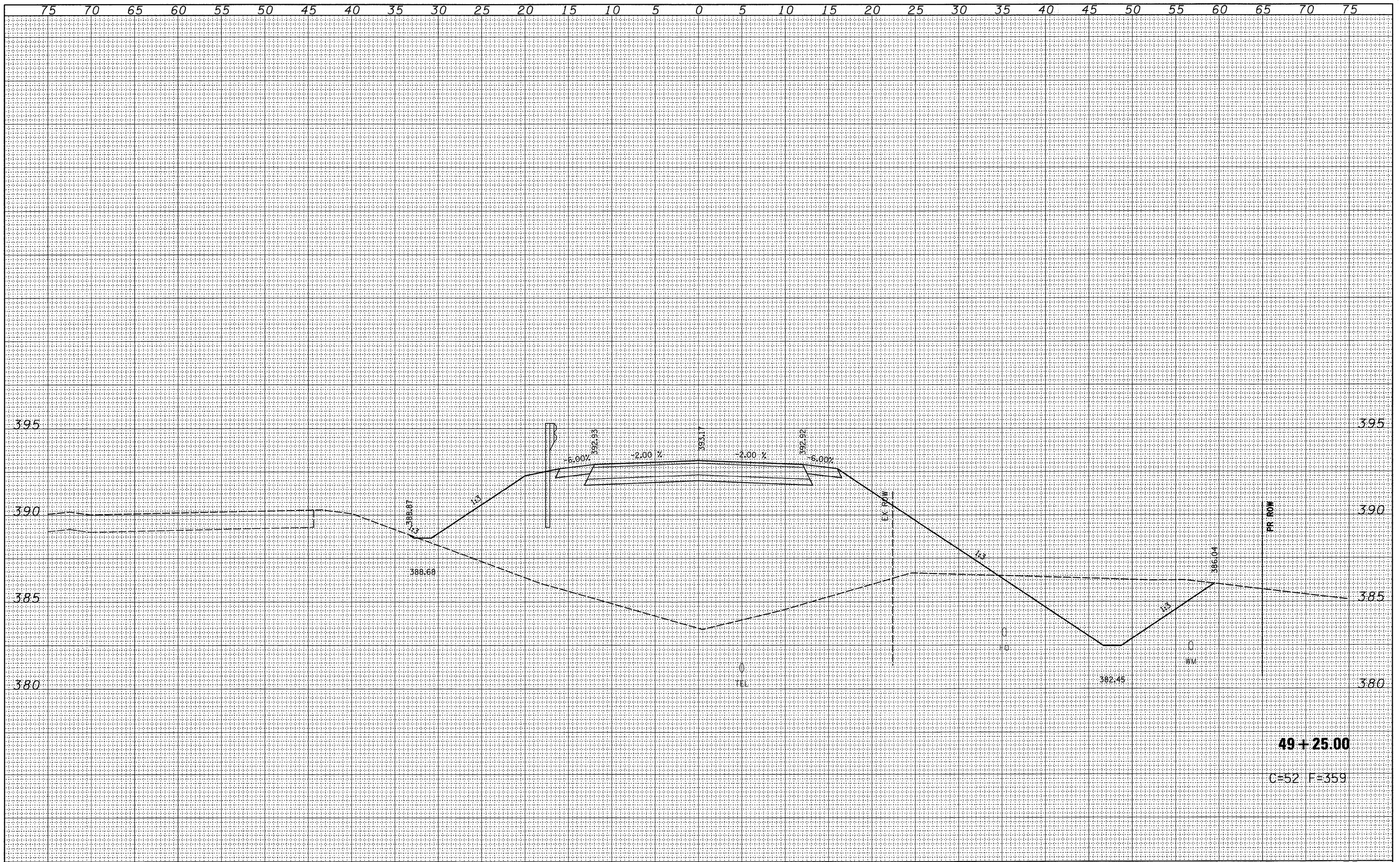
**48+75.00**  
C=31 F=297

FILE NAME = P:\0340601\04.FIN\0960055\Drawings\propdb\p\thsheets.dgn	USER NAME = rook	DESIGNED -	REVISED -	<b>STATE OF ILLINOIS</b> <b>DEPARTMENT OF TRANSPORTATION</b>	<b>DITCH BANK ROAD SOUTH</b>	SCALE: SHEET NO. 8 OF 10 SHEETS STA. 48+75.00 TO STA. 49+00.00	F.A.P. RTE. 823	SECTION (22BY-1,22BY2,22BR)B-1	COUNTY WAYNE	TOTAL SHEETS 142	SHEET NO. 129
PLOT SCALE = 5.0000' / IN.	CHECKED -	REVISED -	CONTRACT NO. 74238								
PLOT DATE = 3/26/2009	DATE -	REVISED -	ILLINOIS FED. AID PROJECT								



DATE	
BY	
FINAL SURVEY	SURVEYED
NOTE BOOK	TEMPLATE
NO.	AREAS CHECKED

DATE	
BY	
ORIGINAL SURVEY	SURVEYED
NOTE BOOK	TEMPLATE
NO.	AREAS CHECKED

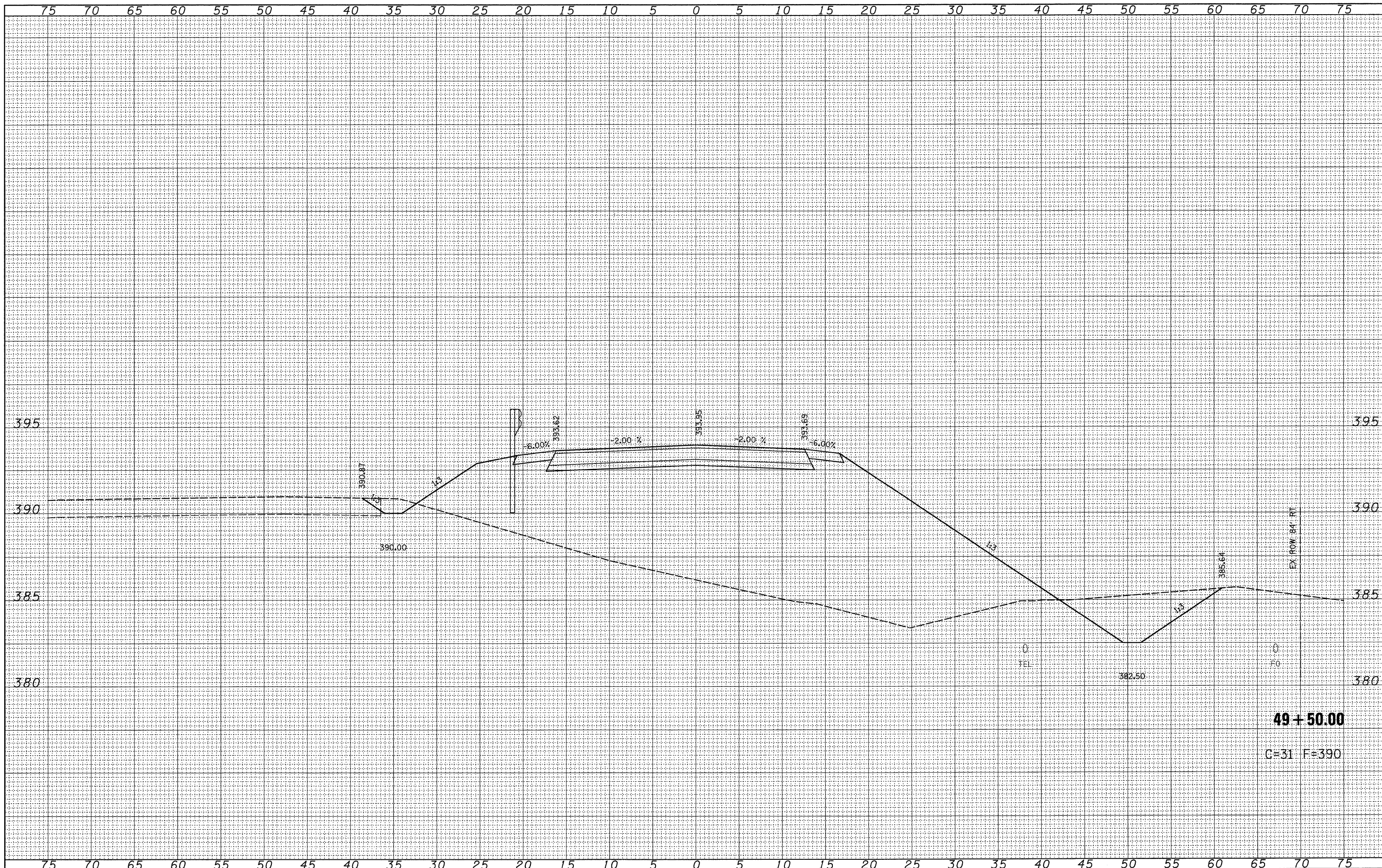


FILE NAME =	USER NAME = rcook	DESIGNED -	REVISED -	<b>STATE OF ILLINOIS</b> <b>DEPARTMENT OF TRANSPORTATION</b>	<b>DITCH BANK ROAD SOUTH</b>	F.A.P. RTE.	SECTION	COUNTY	TOTAL SHEETS	SHEET NO.
P:\0340601.04\FIN0960055\Drawings\secs\propdsouthsheets.dgn		DRAWN -	REVISED -			823	(22BY-1,22BY2,22BR)B-1	WAYNE	142	130
PLOT SCALE = 5.0000' / IN.		CHECKED -	REVISED -			CONTRACT NO. 74238				
PLOT DATE = 3/26/2009		DATE -	REVISED -			SCALE:	SHEET NO. 9 OF 10 SHEETS	STA. 49+25.00	TO STA. 49+25.00	FED. ROAD DIST. NO.



FINAL	SURVEYED	DATE
SURVEY	BY	
NOTE BOOK	NO.	
TEMPLATE	AREAS CHECKED	

ORIGINAL	SURVEYED	DATE
SURVEY	BY	
NOTE BOOK	NO.	
TEMPLATE	AREAS CHECKED	



FILE NAME =	USER NAME = rook	DESIGNED -	REVISED -	<b>STATE OF ILLINOIS</b> <b>DEPARTMENT OF TRANSPORTATION</b>	<b>DITCH BANK ROAD SOUTH</b>	F.A.P. RTE.	SECTION	COUNTY	TOTAL SHEETS	SHEET NO.
P:\0340601.04.FIN\0960055\Drawings\xsacs\propdb\outhsheets.dgn		DRAWN -	REVISED -			823	(22BY-1,22BY2,22BR1B-1	WAYNE	142	131
PLOT SCALE = 5.0000' / IN.		CHECKED -	REVISED -			CONTRACT NO. 74238				
PLOT DATE = 3/26/2009		DATE -	REVISED -			FED. ROAD DIST. NO. ILLINOIS FED. AID PROJECT				
SCALE:		SHEET NO. 10 OF 10 SHEETS		STA. 49+50.00 TO STA. 49+50.00						

49+50.00  
C=31 F=390

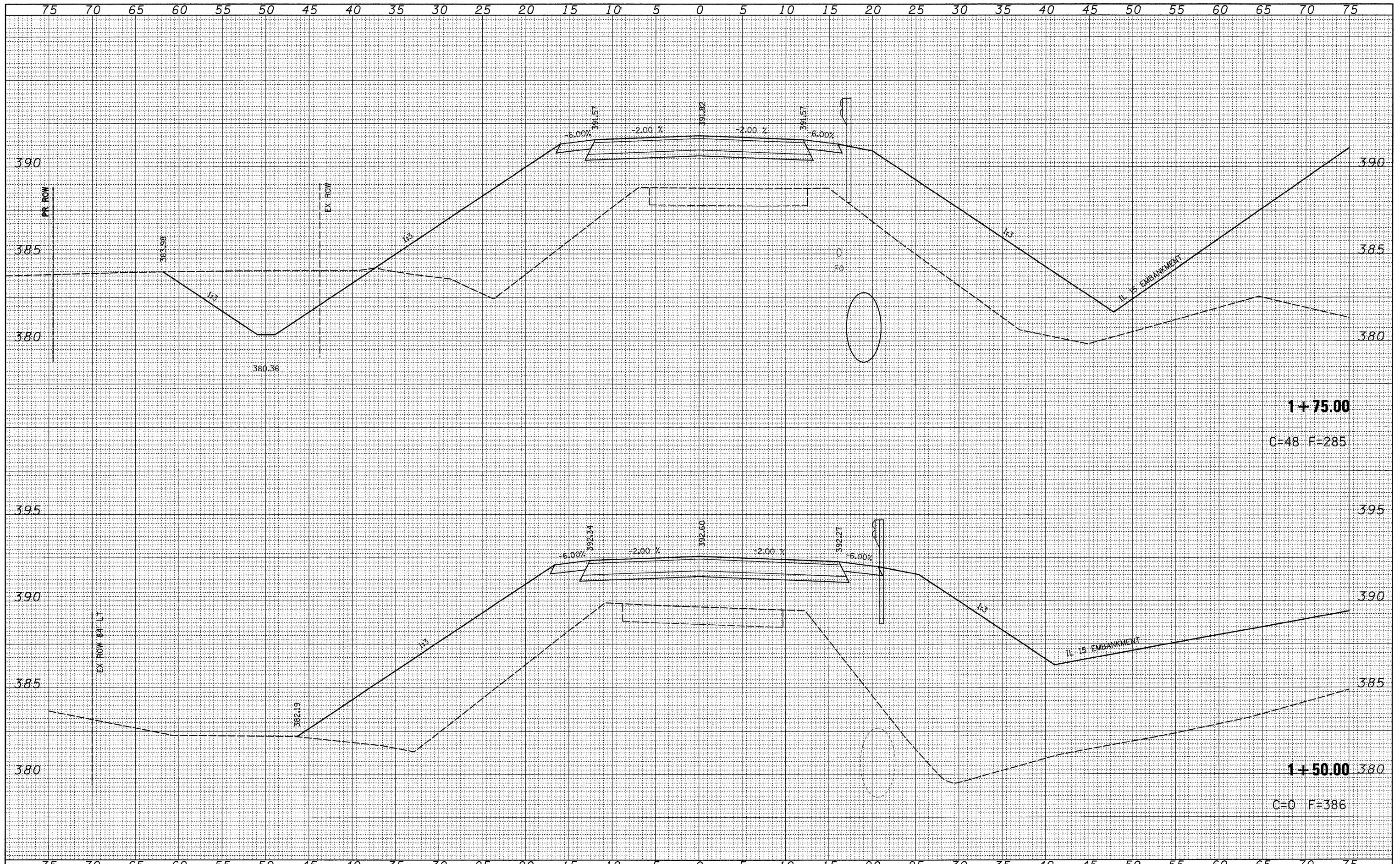
EX ROW 84' RT

TEL



DATE	
BY	
DESIGNED	
DRAWN	
CHECKED	
DATE	
REVISIONS	
NO.	

DATE	
BY	
DESIGNED	
DRAWN	
CHECKED	
DATE	
REVISIONS	
NO.	



FILE NAME = P:\0340601.04.FIN0960055\Drawings\ssos\propdb\br-thsheets.dgn  
 USER NAME = rook  
 PLOT SCALE = 5.0000' / IN.  
 PLOT DATE = 3/26/2009

DESIGNED -  
 DRAWN -  
 CHECKED -  
 DATE -

REVISED -  
 REVISED -  
 REVISED -  
 REVISED -

**STATE OF ILLINOIS  
 DEPARTMENT OF TRANSPORTATION**

**DITCH BANK ROAD NORTH**

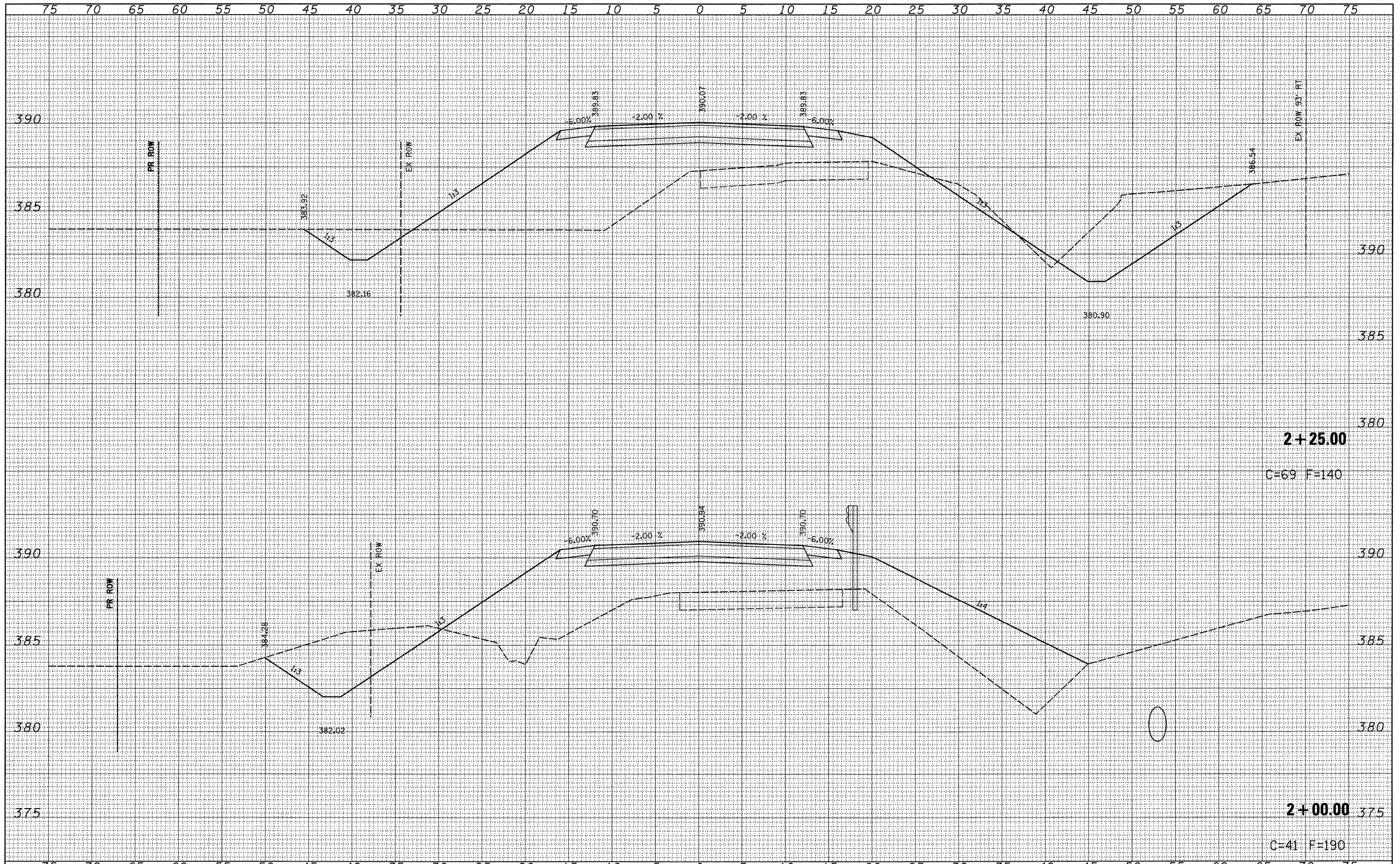
SCALE: SHEET NO. 1 OF 8 SHEETS STA. 1+50.00 TO STA. 1+75.00

F.A.P. RTE.	SECTION	COUNTY	TOTAL SHEETS	SHEET NO.
823	(22BY-1,22BY2,22BRB-1	WAYNE	142	132
CONTRACT NO. 74238			ILLINOIS FED. AID PROJECT	



DATE	
BY	
FINAL SURVEY	
NOTED	
PLOTTED	
TEMPLATE	
NOTE BOOK	
AREAS CHECKED	
NO.	

DATE	
BY	
ORIGINAL SURVEY	
NOTED	
PLOTTED	
TEMPLATE	
NOTE BOOK	
AREAS CHECKED	
NO.	



FILE NAME = P:\0340601.04.FIN\960055\Drawings\ssccs\propdbr\prthsheets.dgn

USER NAME = rook  
 PLOT SCALE = 5.0000' / IN.  
 PLOT DATE = 3/26/2009

DESIGNED -  
 DRAWN -  
 CHECKED -  
 DATE -

REVISED -  
 REVISED -  
 REVISED -  
 REVISED -

**STATE OF ILLINOIS  
 DEPARTMENT OF TRANSPORTATION**

**DITCH BANK ROAD NORTH**

SCALE: SHEET NO. 2 OF 8 SHEETS STA. 2+00.00 TO STA. 2+25.00

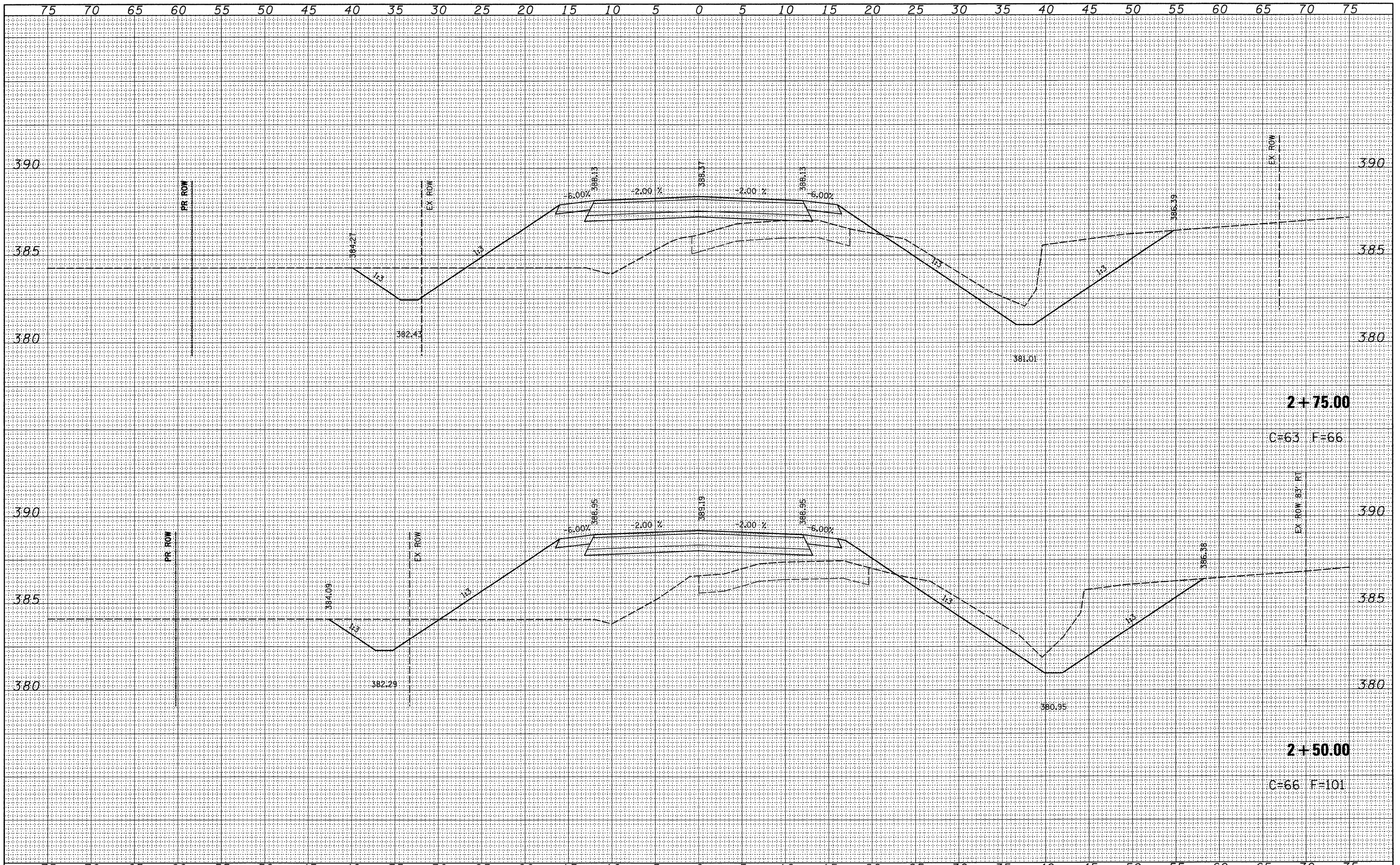
F.A.P. RTE.	SECTION	COUNTY	TOTAL SHEETS	SHEET NO.
823	(22BY-1,22BY2,22BR)B-1	WAYNE	142	133
CONTRACT NO. 74238				

FED. ROAD DIST. NO. ILLINOIS FED. AID PROJECT



FINAL SURVEY	SURVEYED	BY	DATE
NOTE BOOK	TEMPLATE		
AREAS CHECKED			
NO.			

ORIGINAL SURVEY	SURVEYED	BY	DATE
NOTE BOOK	TEMPLATE		
AREAS CHECKED			
NO.			

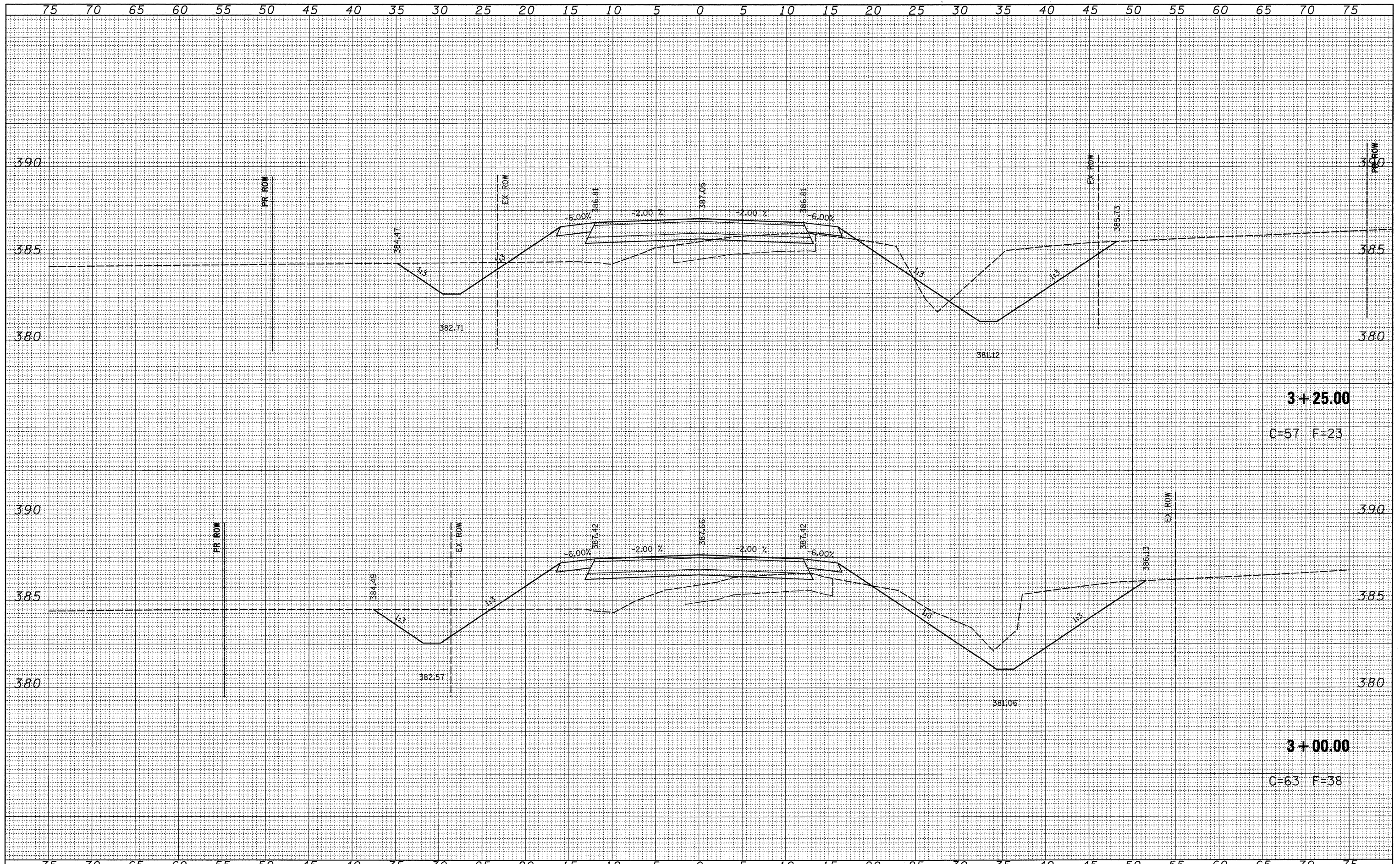


FILE NAME =	USER NAME = rook	DESIGNED -	REVISED -	<b>STATE OF ILLINOIS DEPARTMENT OF TRANSPORTATION</b>	<b>DITCH BANK ROAD NORTH</b>	F.A.P. RTE.	SECTION	COUNTY	TOTAL SHEETS	SHEET NO.	
P:\0340601_04_FIN\060055\Drawings\secs\propdbr\thshets.dgn		DRAWN -	REVISED -			823	(22BY-1,22BY2,22BR)B-1	WAYNE	142	134	
PLOT SCALE = 5.0000' / 1".		CHECKED -	REVISED -			CONTRACT NO. 74238					
PLOT DATE = 3/26/2009		DATE -	REVISED -			FED. ROAD DIST. NO. ILLINOIS FED. AID PROJECT					
					SCALE:	SHEET NO. 3 OF 8 SHEETS		STA. 2+50.00 TO STA. 2+75.00			



DATE	
BY	
FINISHED	
SURVEY	
NOTE BOOK	
NO.	
TEMPLATES	
AREAS CHECKED	

DATE	
BY	
ORIGINAL	
SURVEY	
NOTE BOOK	
NO.	
TEMPLATES	
AREAS CHECKED	



FILE NAME = P:\0340601.04\FIN0960055\Drawings\sscs\propdb\...  
 USER NAME = rook  
 PLOT SCALE = 5.0000' / IN.  
 PLOT DATE = 3/26/2009

DESIGNED -	REVISED -
DRAWN -	REVISED -
CHECKED -	REVISED -
DATE -	REVISED -

**STATE OF ILLINOIS  
DEPARTMENT OF TRANSPORTATION**

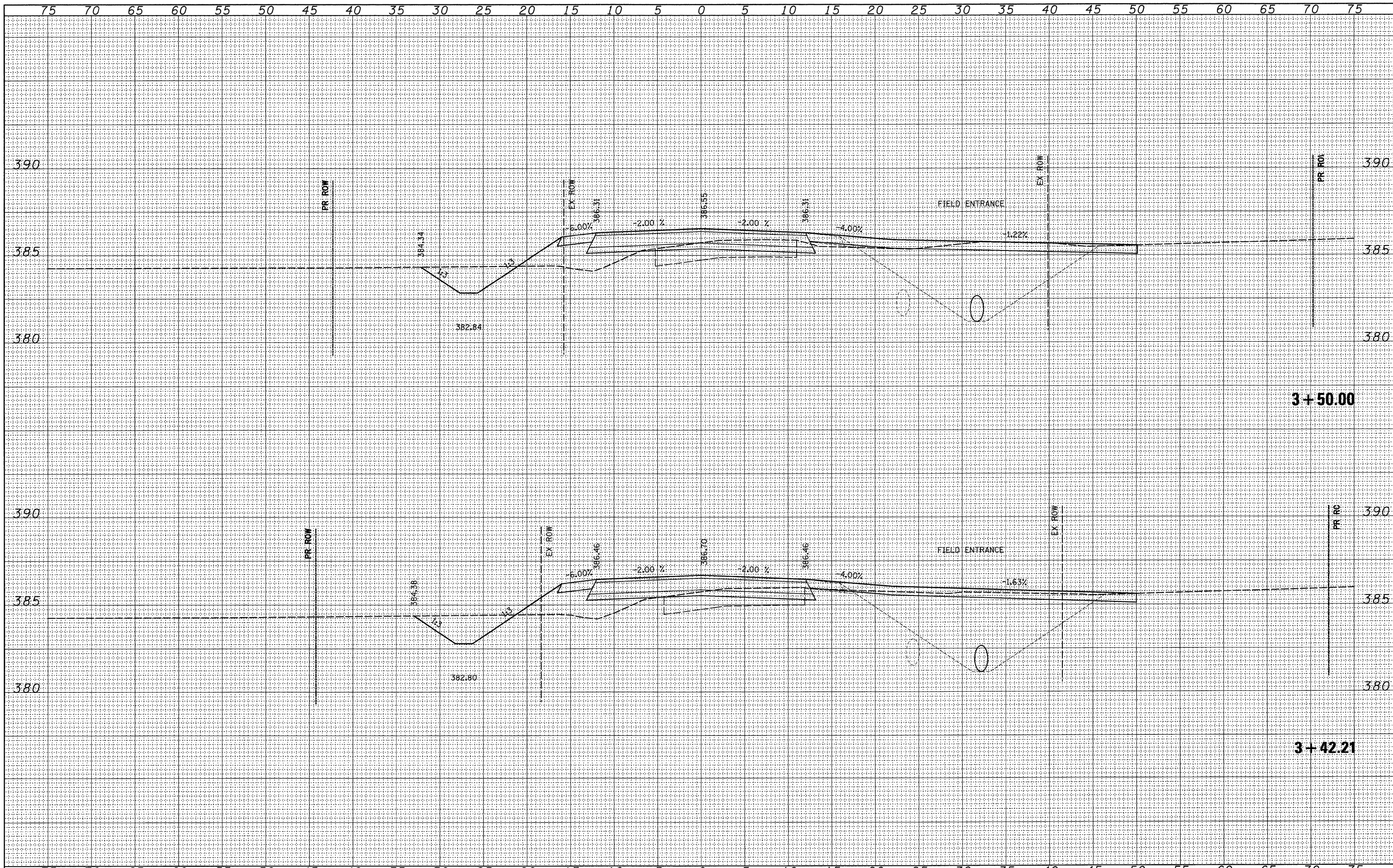
**DITCH BANK ROAD NORTH**  
 SCALE: SHEET NO. 4 OF 8 SHEETS STA. 3+00.00 TO STA. 3+25.00

F.A.P. RTE.	SECTION	COUNTY	TOTAL SHEETS	SHEET NO.
823	(22BY-1,22BY2,22BR)B-1	WAYNE	142	135
CONTRACT NO. 74238				
FED. ROAD DIST. NO.		ILLINOIS FED. AID PROJECT		



DATE	
BY	
SURVEYED	
TEMPLATE	
AREAS CHECKED	
NO.	

DATE	
BY	
SURVEYED	
TEMPLATE	
AREAS CHECKED	
NO.	

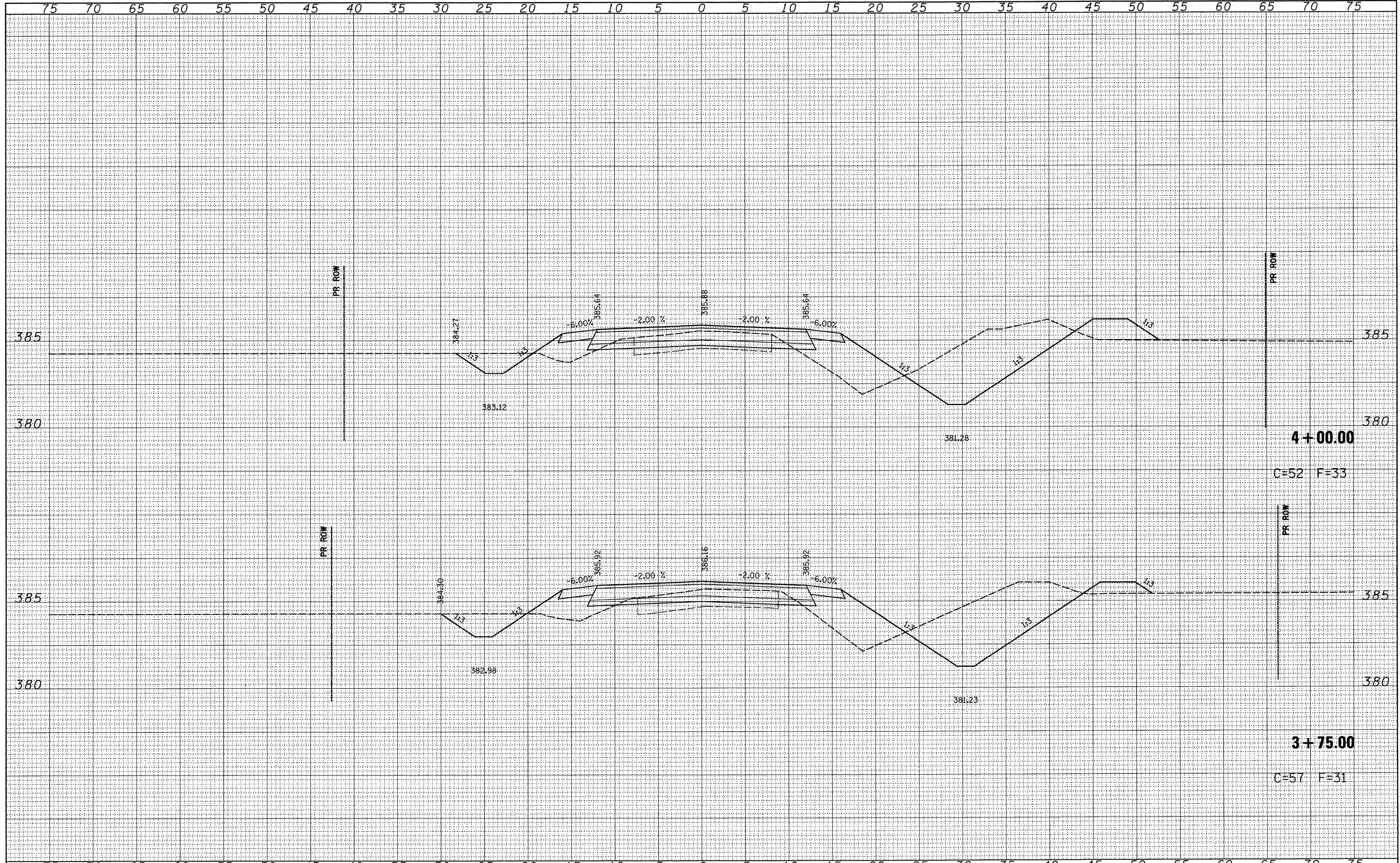


FILE NAME =	USER NAME = rook	DESIGNED -	REVISED -	<b>STATE OF ILLINOIS</b> <b>DEPARTMENT OF TRANSPORTATION</b>	<b>DITCH BANK ROAD NORTH</b>	F.A.P. RTE.	SECTION	COUNTY	TOTAL SHEETS	SHEET NO.	
P:\0340601.04.FIN\0960055\Drawings\secs\propdb\thshets.dgn	PLOT SCALE = 5,0000' / IN.	DRAWN -	REVISED -			823	(22BY-1,22BY2,22BR1B-1	WAYNE	142	136	
PLOT DATE = 3/26/2009	DATE -	CHECKED -	REVISED -			CONTRACT NO. 74238					
						SCALE:	SHEET NO. 5 OF 8 SHEETS	STA. 3+42.21	TO STA. 3+50.00	FED. ROAD DIST. NO. ILLINOIS FED. AID PROJECT	



FINAL SURVEY SURVEYED SURVEYED SURVEYED  
 NOTE BOOK TEMPLATE AREAS CHECKED  
 NO. \_\_\_\_\_

ORIGINAL SURVEY SURVEYED SURVEYED SURVEYED  
 NOTE BOOK TEMPLATE AREAS CHECKED  
 NO. \_\_\_\_\_



FILE NAME =  
 P:\0340601.04.FIN096055\Drawings\secs\propdbr\thsheets.dgn

USER NAME = rook  
 PLOT SCALE = 5.0000' / IN.  
 PLOT DATE = 3/26/2009

DESIGNED -  
 DRAWN -  
 CHECKED -  
 DATE -

REVISED -  
 REVISED -  
 REVISED -  
 REVISED -

**STATE OF ILLINOIS  
 DEPARTMENT OF TRANSPORTATION**

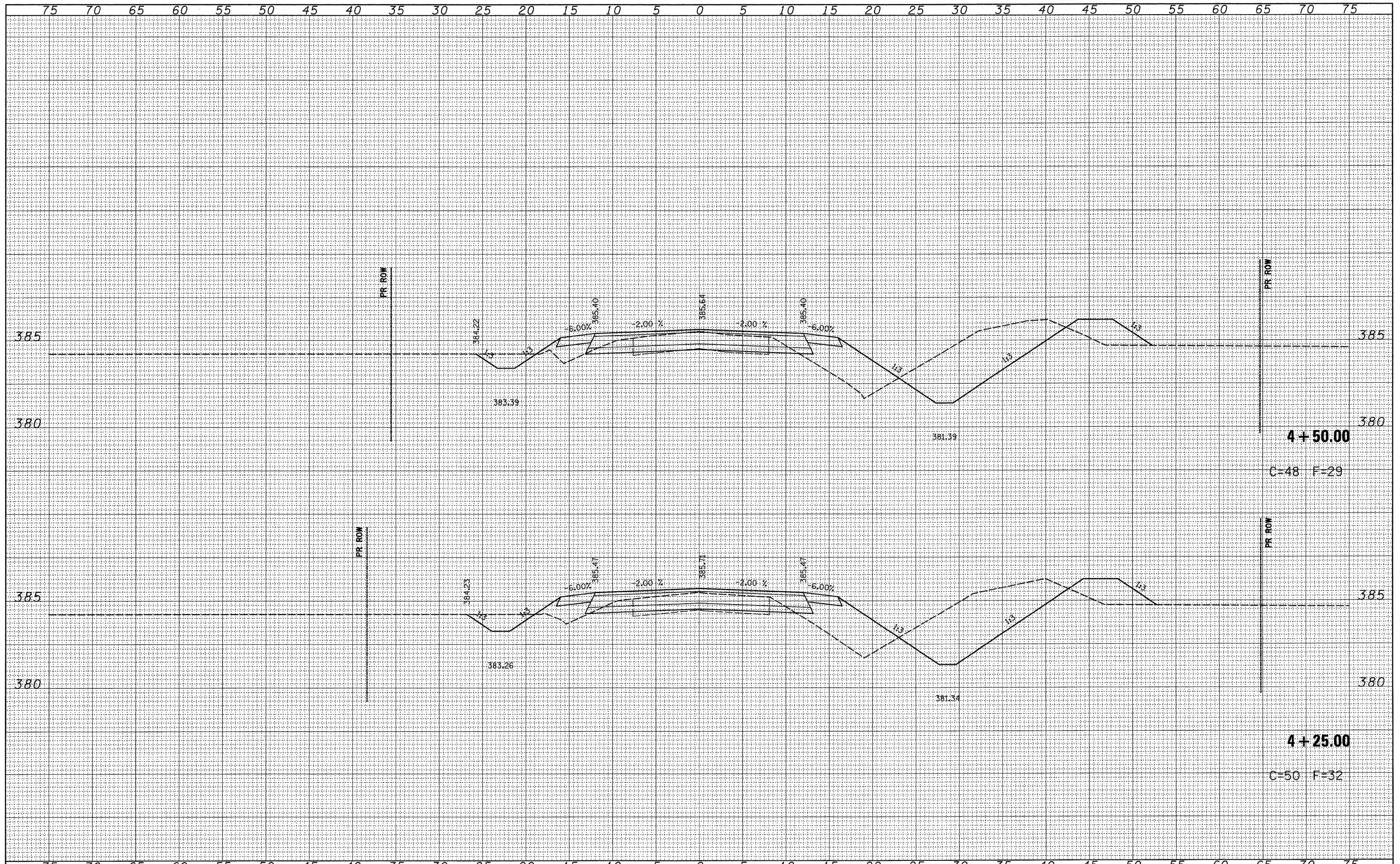
**DITCH BANK ROAD NORTH**  
 SCALE: SHEET NO. 6 OF 8 SHEETS STA. 3+75.00 TO STA. 4+00.00

F.A.P. RTE.	SECTION	COUNTY	TOTAL SHEETS	SHEET NO.
823	(22BY-1,22BY2,22BR)B-1	WAYNE	142	137
FED. ROAD DIST. NO. ILLINOIS FED. AID PROJECT			CONTRACT NO. 74238	



DATE	
BY	
SURVEYED	
TEMPLATE	
AREAS	
CHECKED	
NO.	

DATE	
BY	
SURVEYED	
TEMPLATE	
AREAS	
CHECKED	
NO.	

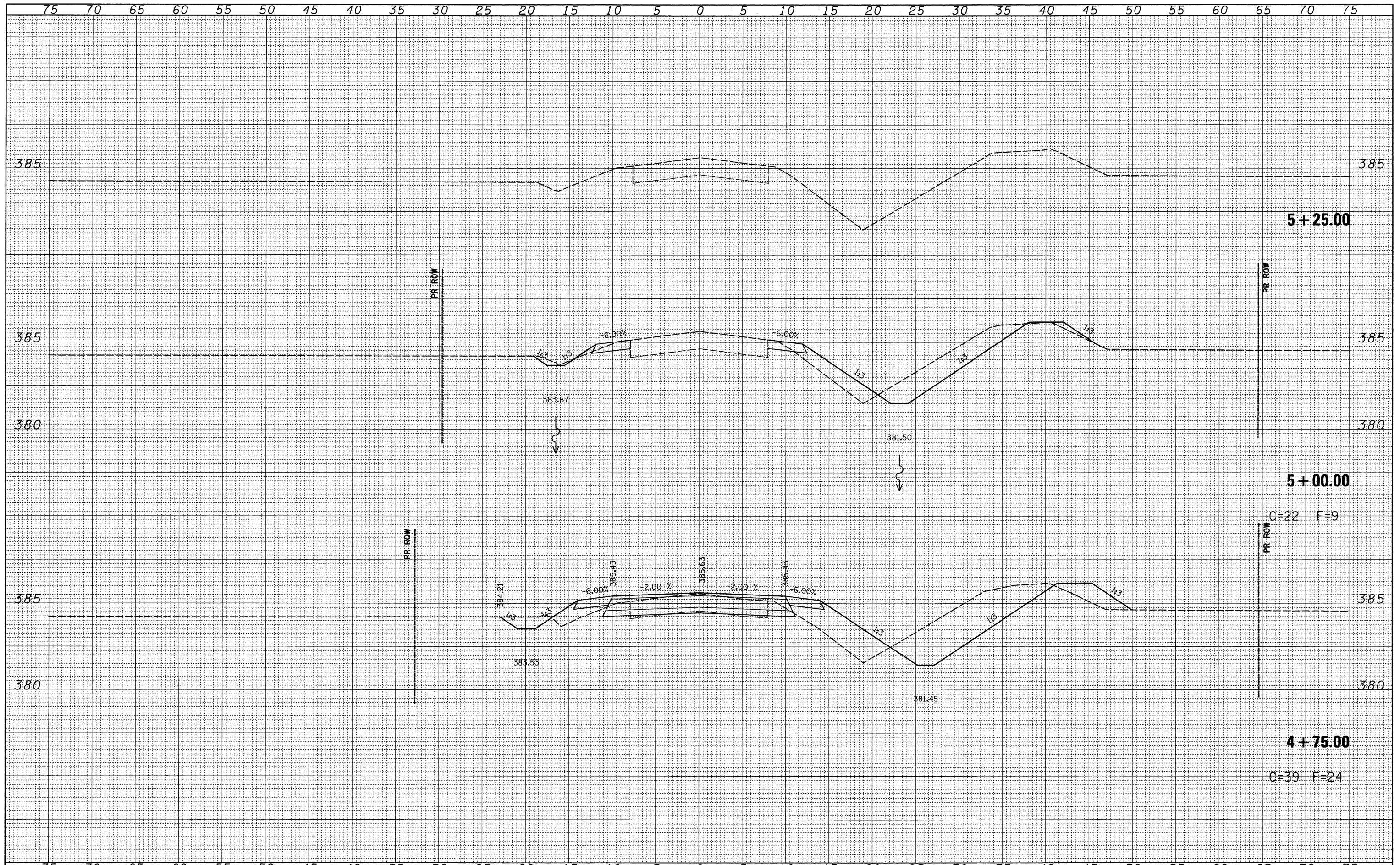


FILE NAME =	USER NAME = rook	DESIGNED -	REVISED -	<b>STATE OF ILLINOIS</b> <b>DEPARTMENT OF TRANSPORTATION</b>	<b>DITCH BANK ROAD NORTH</b>		F.A.P. RTE.	SECTION	COUNTY	TOTAL SHEETS	SHEET NO.
P:\0340601.04_FIN0960055\Drawings\seccs\propdbr\thsheets.dgn		DRAWN -	REVISED -		823	(22BY-1,22BY2,22BR)B-1	WAYNE	142	138		
PLOT SCALE = 5,0000' / IN.		CHECKED -	REVISED -		CONTRACT NO. 74238						
PLOT DATE = 3/26/2009		DATE -	REVISED -		FED. ROAD DIST. NO.	ILLINOIS	FED. AID PROJECT				
				SCALE:	SHEET NO. 7 OF 8 SHEETS	STA. 4+25.00 TO STA. 4+50.00					



DATE	
BY	
FINN	
SURVEY	
NOTE BOOK	
NO.	
TEMPL	
AREAS	
CHECKED	

DATE	
BY	
ORIGINAL	
SURVEY	
NOTE BOOK	
NO.	
TEMPL	
AREAS	
CHECKED	



FILE NAME =	USER NAME = rook	DESIGNED -	REVISED -	<b>STATE OF ILLINOIS</b> <b>DEPARTMENT OF TRANSPORTATION</b>	<b>DITCH BANK ROAD NORTH</b>		F.R.T.E.	SECTION	COUNTY	TOTAL SHEETS	SHEET NO.
P:\0340601.04.FIN\960055\Drawings\secs\propdbr\thshets.dgn		DRAWN -	REVISED -		823	(22BY-1,22BY2,22BRIB-1	WAYNE	142	139		
PLOT SCALE = 5.0000' / IN.		CHECKED -	REVISED -		SCALE: SHEET NO. 8 OF 8 SHEETS STA. 4+75.00 TO STA. 5+25.00		CONTRACT NO. 74238				
PLOT DATE = 3/26/2009		DATE -	REVISED -		FED. ROAD DIST. NO.		ILLINOIS FED. AID PROJECT				



**STATE OF ILLINOIS**  
**DEPARTMENT OF TRANSPORTATION**  
**DIVISION OF HIGHWAYS**  
**PROPOSED**  
**RIGHT-OF-WAY PLANS**

**FAP ROUTE 823 (ILLINOIS ROUTE 15)**  
**SECTION (22BY1,22BY2,22BR)B-1**  
**PROJECT**  
**WAYNE COUNTY**  
**JOB NO. R-97-014-08**

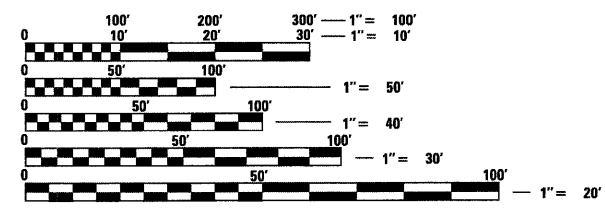
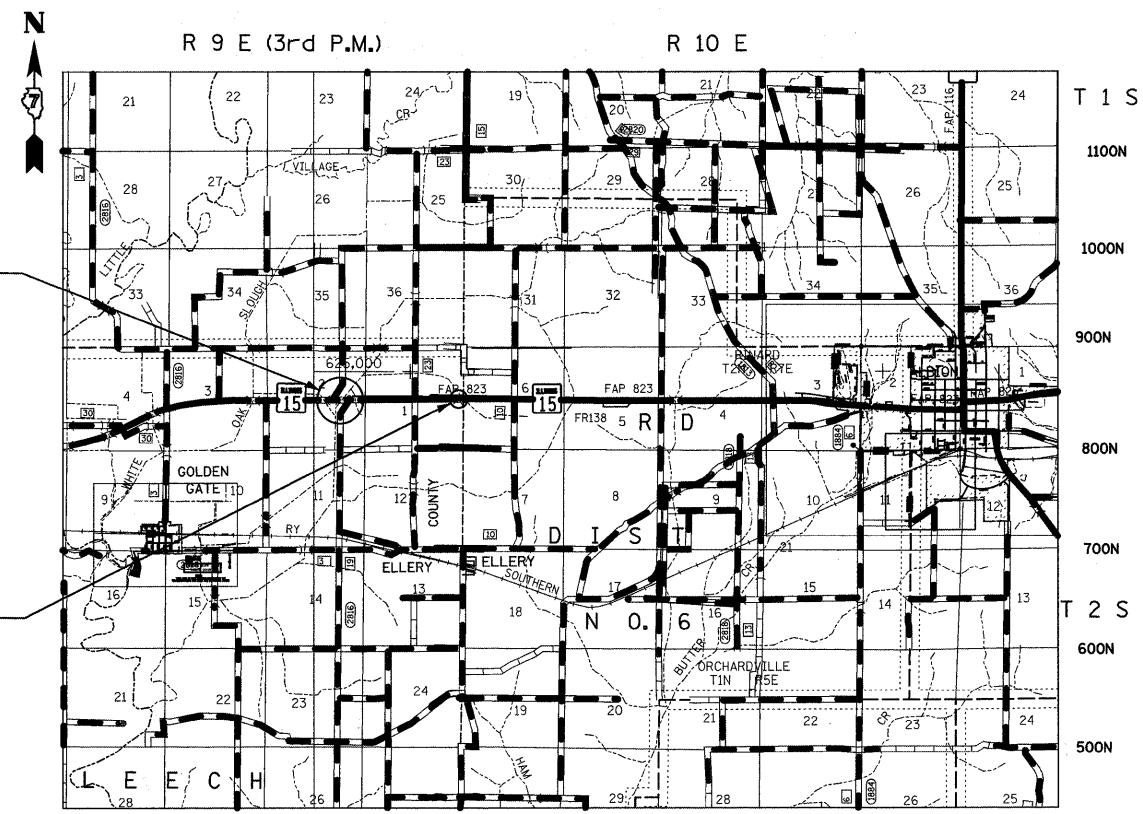
F.A.P. RTE.	SECTION	COUNTY	TOTAL SHEETS	SHEET NO.
823		WAYNE	142	140
FED. ROAD DIST. NO.	ILLINOIS	CONTRACT NO. 74238		

\*122BY1,22BY2,22BR)B-1



**FAS ROUTE 823**  
**SECTION (22BY1)B-1**  
**WAYNE COUNTY**  
**BEGIN STA. 288 + 41.59**  
**END STA. 308 + 20.00**

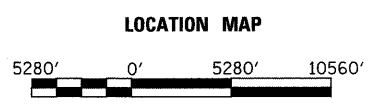
**FAS ROUTE 823**  
**SECTION (22BR)B-1**  
**WAYNE COUNTY**  
**BEGIN STA. 238 + 99.60**  
**END STA. 241 + 00.00**



FULL SIZE PLANS HAVE BEEN PREPARED USING STANDARD ENGINEERING SCALES. REDUCED SIZED PLANS WILL NOT CONFORM TO STANDARD SCALES. IN MAKING MEASUREMENTS ON REDUCED PLANS, THE ABOVE SCALES MAY BE USED.

**J.U.L.I.E.**  
**JOINT UTILITY LOCATION INFORMATION FOR EXCAVATION**  
**1-800-892-0123**  
**OR 811**

**STATION EQUATIONS**  
**STA. 239 + 37.30 (BK)**  
**= STA. 239 + 37.70 (AH)**  
**STA. 289 + 04.59 (BK)**  
**= STA. 289 + 07.00 (AH)**  
**STA. 306 + 00.00 (BK)**  
**= STA. 305 + 96.06 (AH)**



**GROSS LENGTH OF PROJECT = 2178.81 LIN. FT. = 0.413 MILES**  
**NET LENGTH OF PROJECT = 2178.81 LIN. FT. = 0.413 MILES**

**STATE OF ILLINOIS**  
**DEPARTMENT OF TRANSPORTATION**  
**DIVISION OF HIGHWAYS**

SUBMITTED \_\_\_\_\_ 20 \_\_\_\_\_  
DISTRICT ENGINEER

EXAMINED \_\_\_\_\_ 20 \_\_\_\_\_  
DISTRICT CHIEF OF PLATS AND PLANS

PASSED \_\_\_\_\_ 20 \_\_\_\_\_  
DISTRICT LAND ACQUISITION ENGINEER

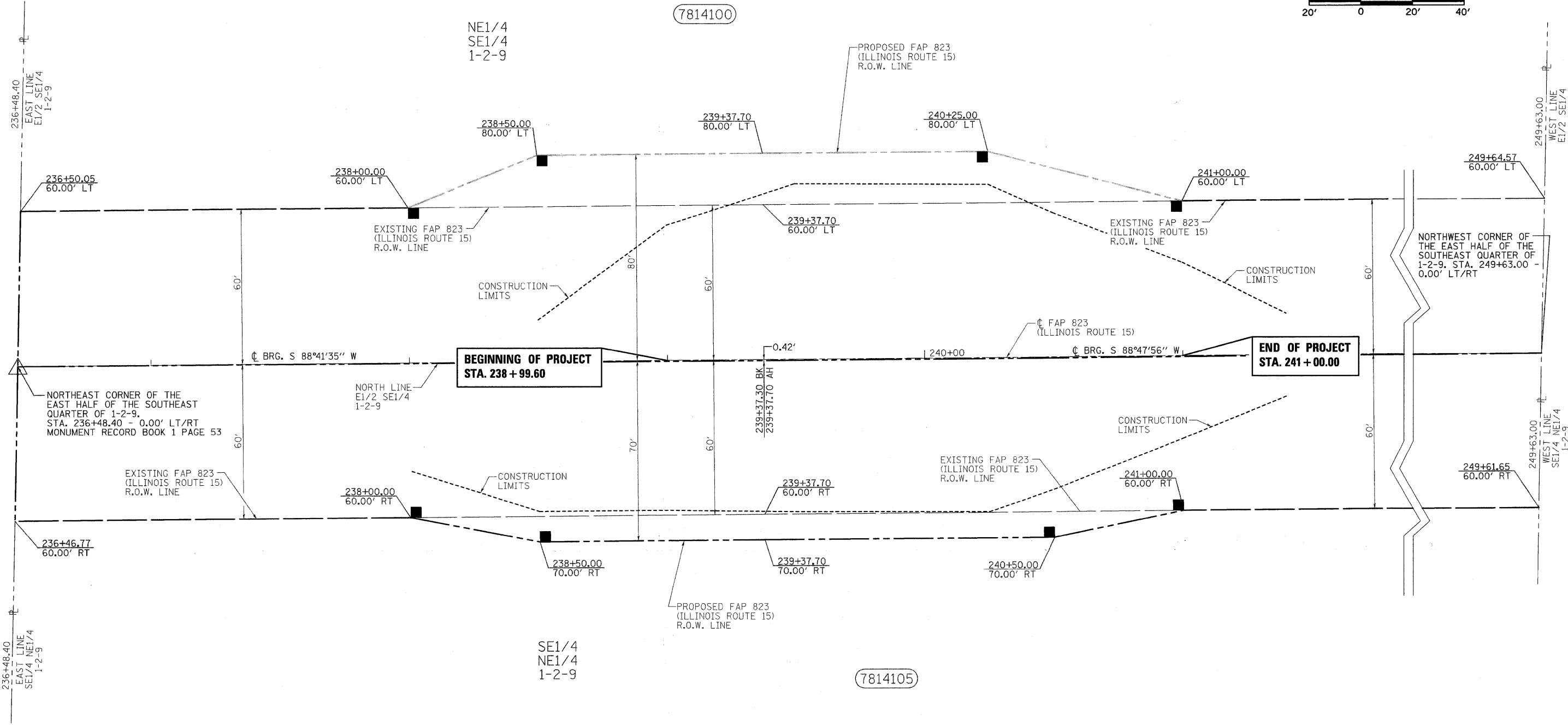
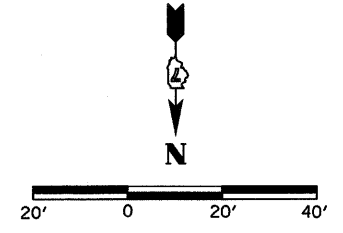
REVIEWED \_\_\_\_\_ 20 \_\_\_\_\_  
CENTRAL BUREAU RIGHT OF WAY PLANS ENGINEER

APPROVED \_\_\_\_\_ 20 \_\_\_\_\_  
ENGINEER OF LAND ACQUISITION

**PRINTED BY THE AUTHORITY**  
**OF THE STATE OF ILLINOIS**



T.2S.-R.9E., 3RD P.M., LEECH TWP.

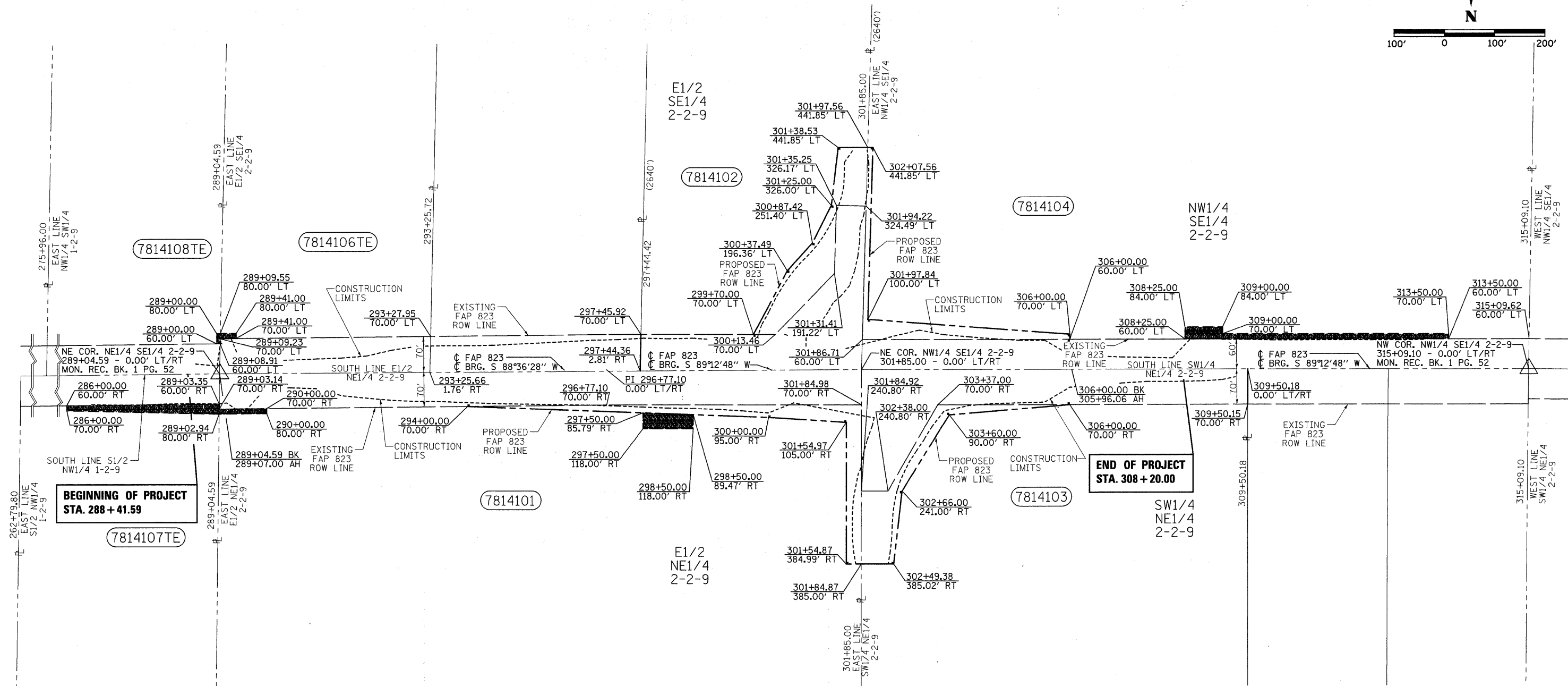
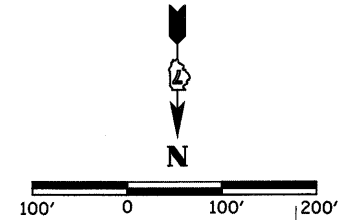


PARCEL	OWNER	AREA TAKEN		TEMPORARY EASEMENT	REM. AREA	INST	RECORDED				EXCESS	
		ADD	EXIST.				MICRO FILM NO	DATE	BOOK	PAGE	AREA	SOLD
7814100	ALICE F. & ROSS A. HERING	0.109 AC.	1.816 AC.	-	77.816 AC.							
7814105	MARY K. & LARRY R. MICHELS	0.057 AC.	1.804 AC.	-	38.577 AC.							

NOTE: BEARINGS ARE REFERENCED TO THE ILLINOIS STATE PLANE COORDINATE SYSTEM EAST ZONE DATUM OF 1983.  
 △ - FOUND P.K. NAIL



# T.2S.-R.9E., 3RD P.M., LEECH TWP.



PARCEL	OWNER	AREA TAKEN		TEMPORARY EASEMENT	REM. AREA	INST	RECORDED				EXCESS	
		ADD	EXIST.				MICRO	FILM NO	DATE	BOOK	PAGE	AREA
7814101	NILE WAYNE & A. DAWN BUNNAGE	0.506 AC.	2.007 AC.	0.081 AC.	79.893 AC.							
7814102	BARBARA ANN & JIMMIE L. THOMPSON	0.514 AC.	1.228 AC.	-	25.572 AC.							
7814103	NADINE WOLFE FAMILY LIMITED PARTNERSHIP L.P.	0.418 AC.	1.638 AC.	-	22.641 AC.							
7814104	CLARENCE E. DOBBS	0.319 AC.	1.829 AC.	0.145 AC.	17.863 AC.							
7814106TE	DARRELL D. SAMPLE	-	-	0.007 AC.	-							
7814107TE	BARRY & ANGELA D. BAKER	-	-	0.104 AC.	-							
7814108TE	JOHN M. & BRANDEE R. WATKINS	-	-	0.003 AC.	-							

NOTE: BEARINGS ARE REFERENCED TO THE ILLINOIS STATE PLANE COORDINATE SYSTEM EAST ZONE DATUM OF 1983.

TEMPORARY EASEMENTS REQUIRED TO IMPROVE DRAINAGE AND AS A WORK AREA.

(2640)' = RECORDED DIMENSION

= TEMPORARY EASEMENT

- FOUND P.K. NAIL