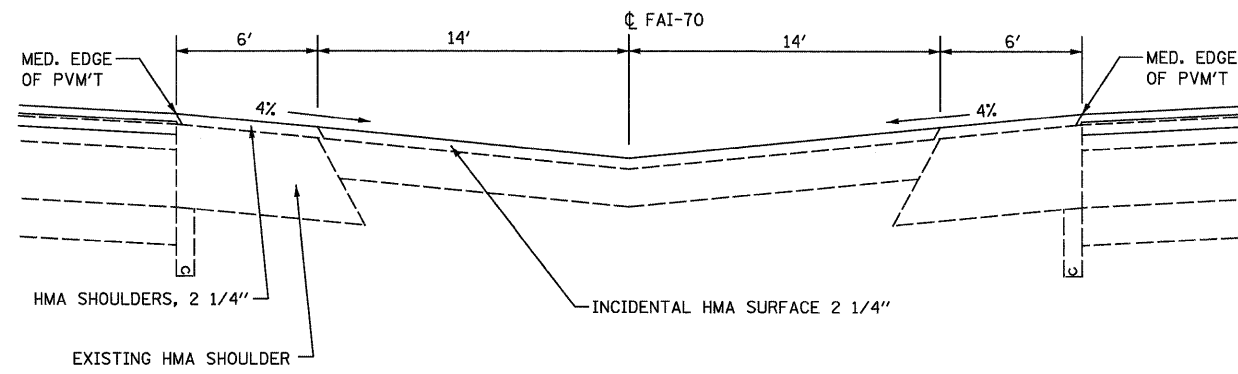
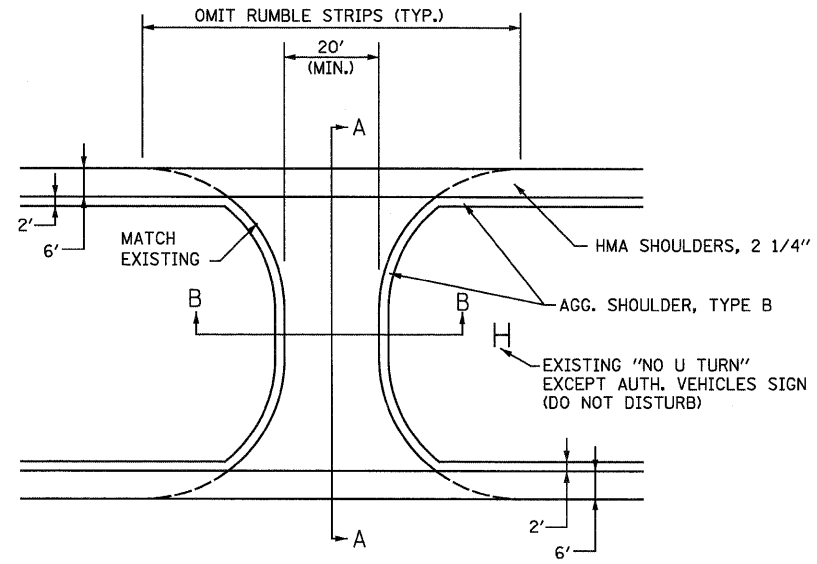
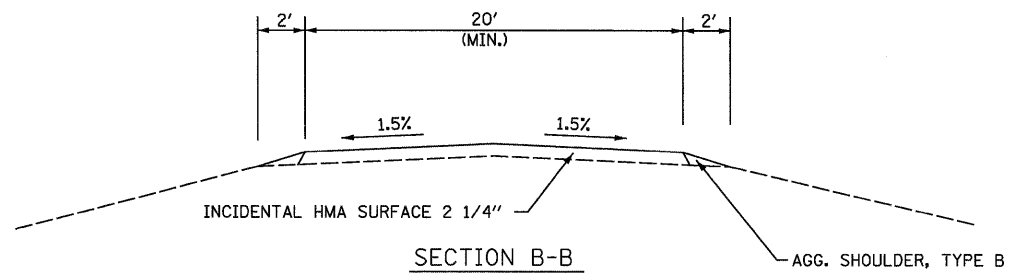


MEDIAN CROSS-OVER DETAIL



SECTION A-A



LOCATION
 STA. 567+50
 STA. 760+78

• 60-(7,8,9,10)RS, 60-(8,9,10)BR

FILE NAME = ..._D76A73-shr-detail1.dgn	USER NAME = SJS	DESIGNED -	REVISED -
Johnson, Depp & Oulsenberry CONSULTING ENGINEERS Springfield, Illinois	PLOT SCALE = 50.0000' / IN.	DRAWN -	REVISED -
PLOT DATE = 06/12/2009 09:33:31		CHECKED -	REVISED -
		DATE -	REVISED -

STATE OF ILLINOIS
 DEPARTMENT OF TRANSPORTATION

MEDIAN CROSS-OVER DETAIL

SCALE: SHEET NO. OF SHEETS STA. TO STA.

F.A.I. RTE.	SECTION	COUNTY	TOTAL SHEETS	SHEET NO.
70	*	MADISON	150	124
FED. ROAD DIST. NO.			ILLINOIS FED. AID PROJECT	
			CONTRACT NO. 76A73	