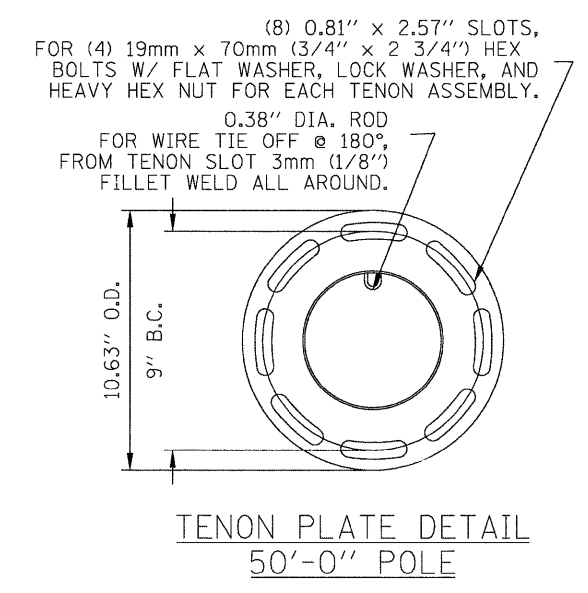
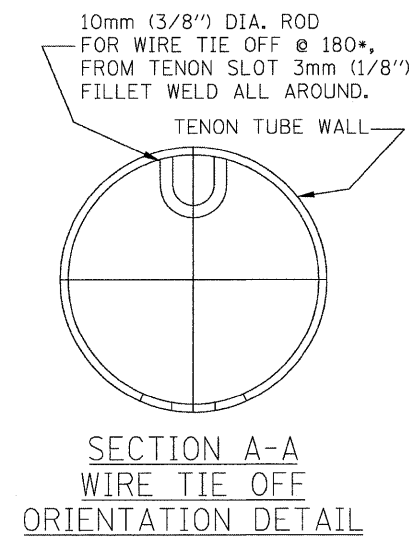
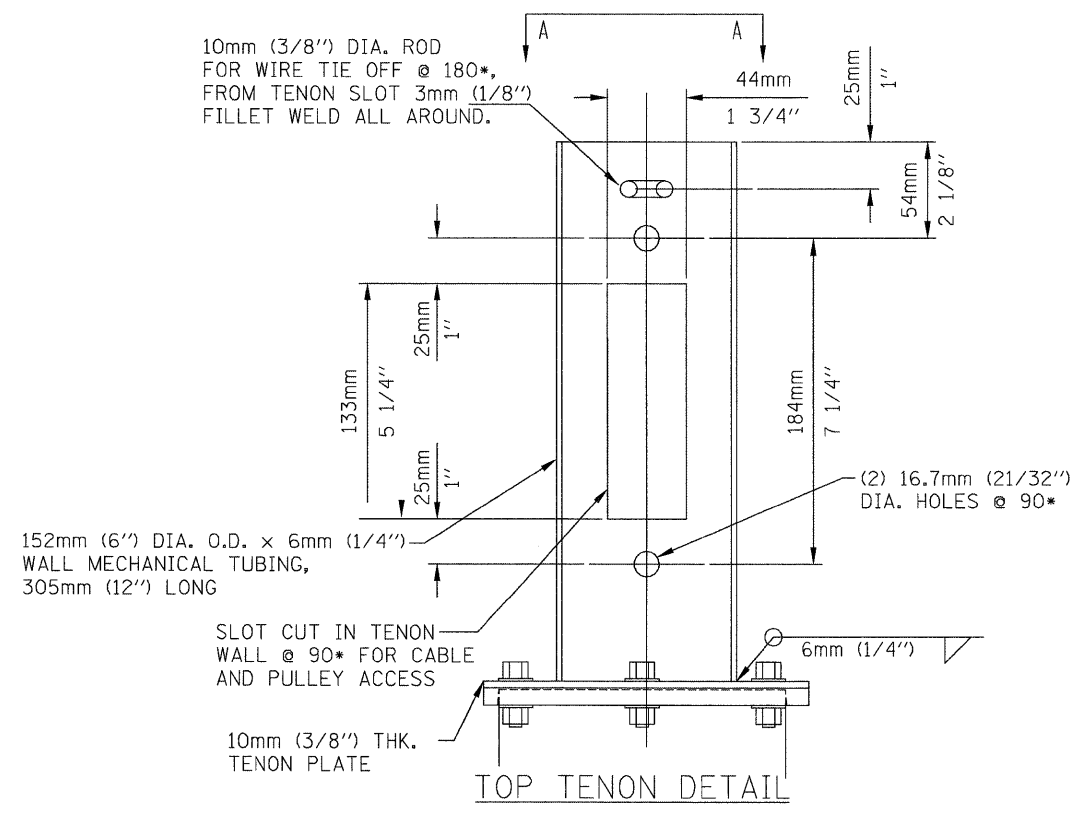
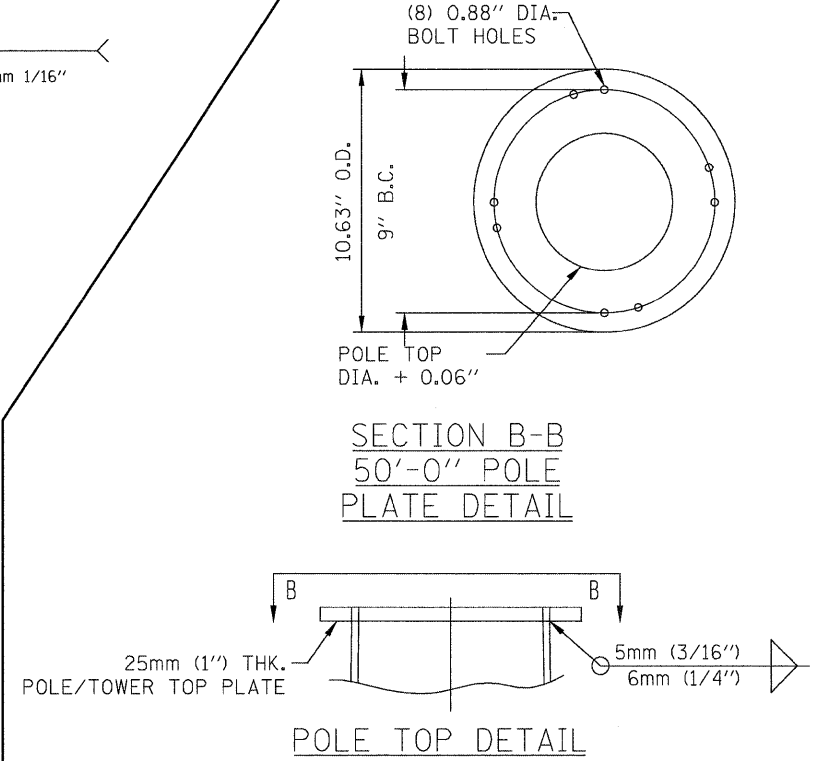
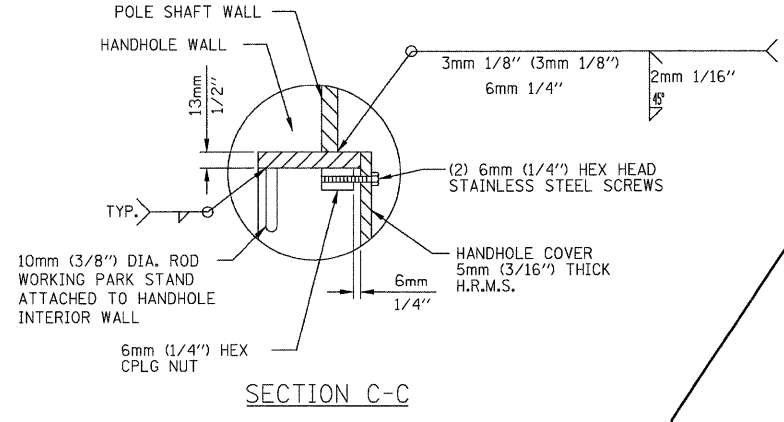
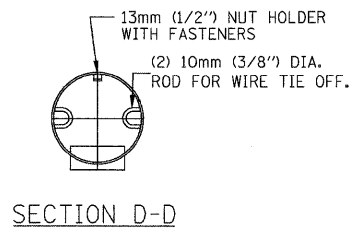
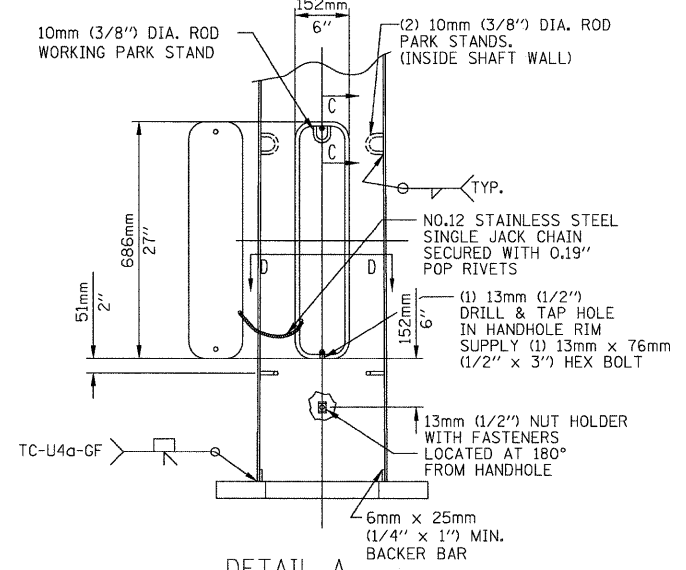
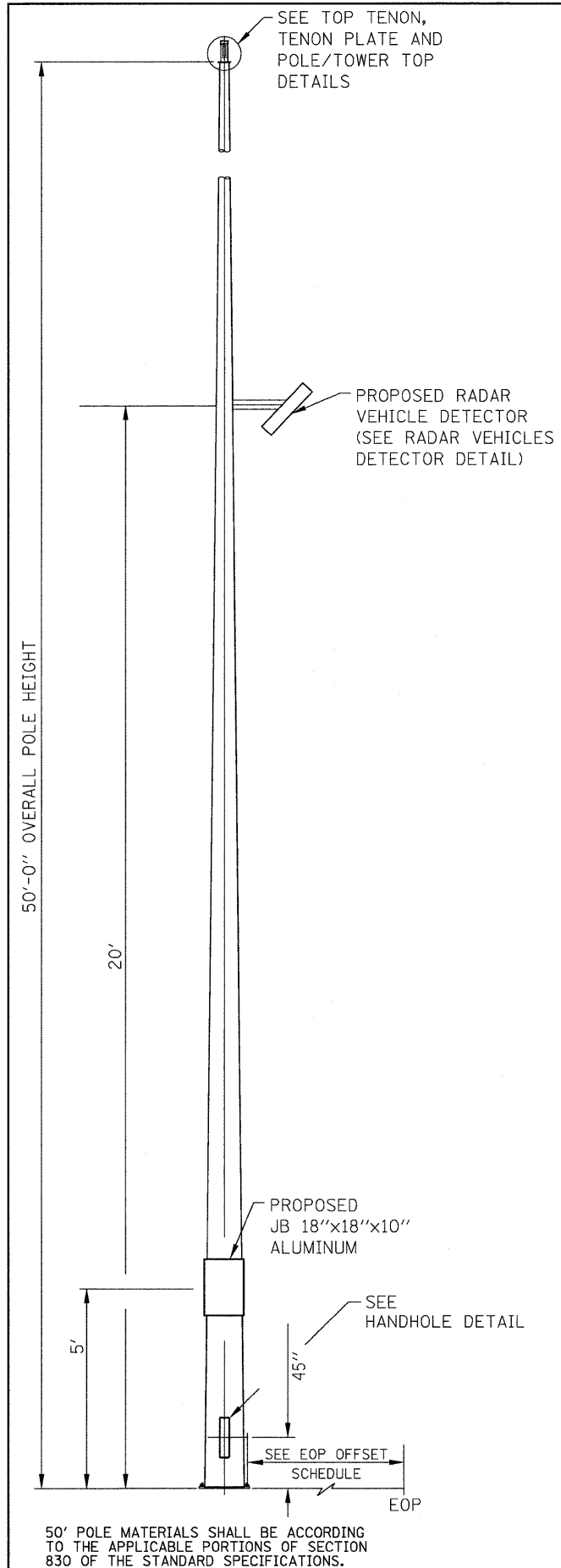


50'-0" OVERALL POLE HEIGHT



FILE NAME =	USER NAME = #USER#	DESIGNED -	REVISED -	STATE OF ILLINOIS DEPARTMENT OF TRANSPORTATION	POLE MOUNTED CCTV DETAIL WITH CAMERA LOWERING DEVICE	F.A.I. RTE.	SECTION	COUNTY	TOTAL SHEETS	SHEET NO.	
#FILE#	PLOT SCALE = #SCALE#	DRAWN -	REVISED -			70		MADISON	135	135	
	PLOT DATE = #DATE#	CHECKED -	REVISED -			CONTRACT NO. 16A73					
		DATE -	REVISED -			FED. ROAD DIST. NO. ILLINOIS FED. AID PROJECT					

• 60-(7,8,9,10)RS, 60-(8,9,10)BR