

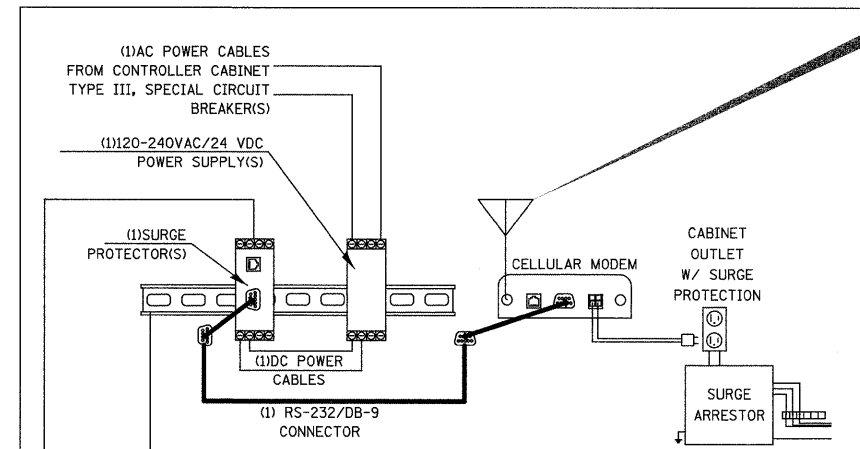
RADAR
 DETECTOR AT:
 557012.7S.33R
 557013.4S.34R
 557013.9S.35R
 557014.6N.36R
 557015.2N.37R
 557015.9N.38R
 557017.0N.39R
 557017.6N.40R
 557018.6N.92R
 557019.1S.93R
 557019.7N.94R

JUNCTION BOX, ALUMINUM,
 ATTACHED TO STRUCTURE,
 18" X 18" X 10" AT:

MP12.7
 MP13.4
 MP14.0
 MP14.6
 MP15.3
 MP15.9
 MP17.0
 MP17.6
 MP18.6
 MP19.1
 MP19.7

CONTROLLER CABINET
 TYPE III, SPECIAL AT:

MP12.7
 MP13.4
 MP14.0
 MP14.6
 MP15.3
 MP15.9
 MP17.0
 MP17.6
 MP18.6
 MP19.1
 MP19.7



(2) POWER AND
 REAL-TIME
 TRAFFIC
 DATA MANAGEMENT
 CABLE

1. ALL NECESSARY CABLING, SURGE PROTECTION, ANCILLARY HARDWARE, MATERIALS,
 AND ALL LABOR AND INCIDENTAL WORK NECESSARY TO COMPLETE THIS WORK SHALL
 BE INCLUDED IN THE COST OF THE "RADAR VEHICLE DETECTION SYSTEM" PAY ITEM

FILE NAME =	USER NAME = prestonm	DESIGNED -	REVISED -
c:\pw_work\pwwork\prestonm\dms71073\d8	6a73-shr-ITS.dgn	DRAWN -	REVISED -
PLOT SCALE = 50,0000' / IN.	CHECKED -	REVISED -	REVISED -
PLOT DATE = 7/13/2009	DATE -	REVISED -	REVISED -

STATE OF ILLINOIS
 DEPARTMENT OF TRANSPORTATION

COMMUNICATION SHEET
 ALL CONTROLLER CABINETS

SCALE: _____ SHEET NO. ___ OF ___ SHEETS STA. _____ TO STA. _____

F.A.I. RTE.	SECTION	COUNTY	TOTAL SHEETS	SHEET NO.
-70-		MADISON	150	146
FED. ROAD DIST. NO. _ ILLINOIS FED. AID PROJECT			CONTRACT NO. 76A73	

• 60-(7,8,9,10)RS, 60-(8,9,10)BR