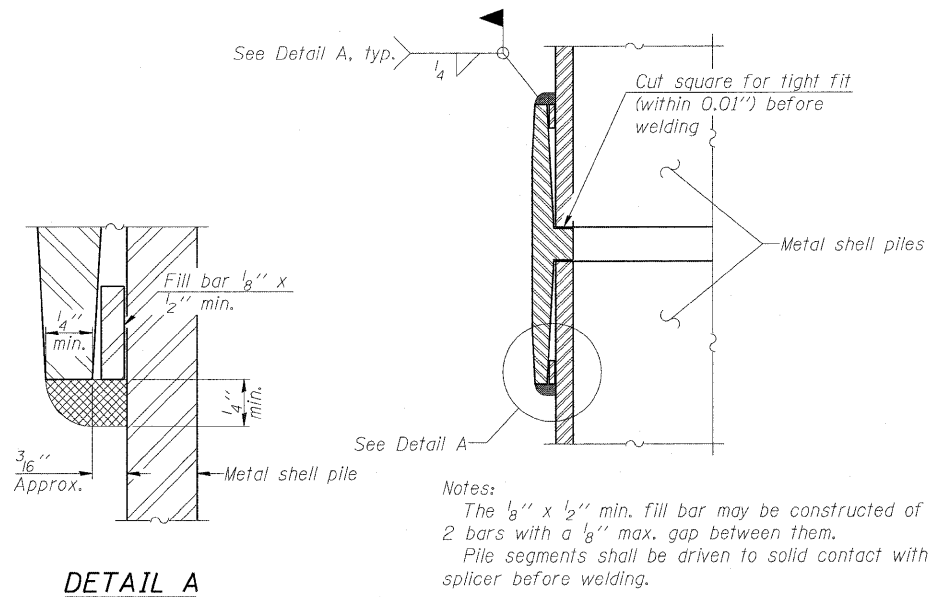
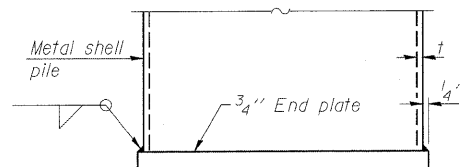


**METAL SHELL PILE TABLE**

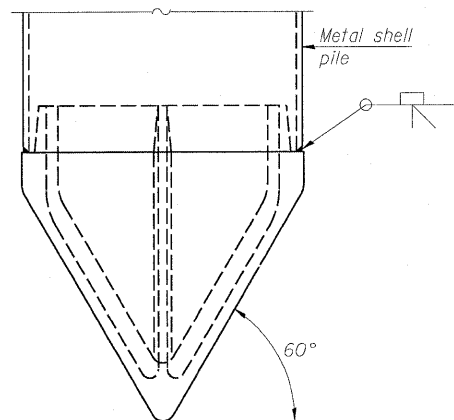
Designation and outside diameter	Wall thickness t	Weight per foot (Lbs./ft.)	Inside volume (yd. <sup>3</sup> /ft.)
PP12	0.179"	22.60	0.0274
PP12	0.250"	31.37	0.0267
PP14	0.250"	36.71	0.0368
PP14	0.312"	45.61	0.0361



**WELDED COMMERCIAL SPLICE**



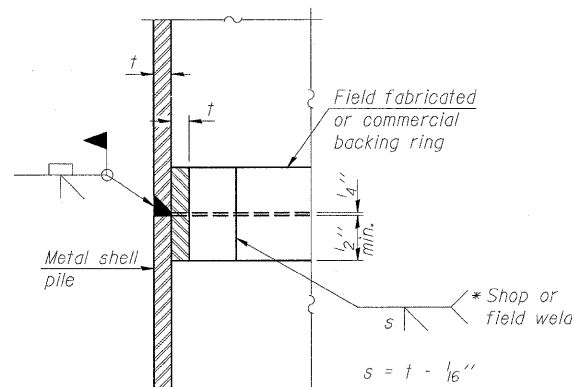
**END PLATE ATTACHMENT**



Note A:  
 When called for on the plans, the Contractor shall furnish metal shell pile shoes consisting of a single piece conical pile point as shown. The pile shoes shall be cast in one piece steel according to either ASTM A 148 Grade 90-60 or AASHTO M 103 Grade 65-35 and shall provide full bearing over the full circumference of the metal shell pile. The pile shoe shall have tapered leads to assure proper alignment and fitting and shall be secured to the pile with a circumferential weld.

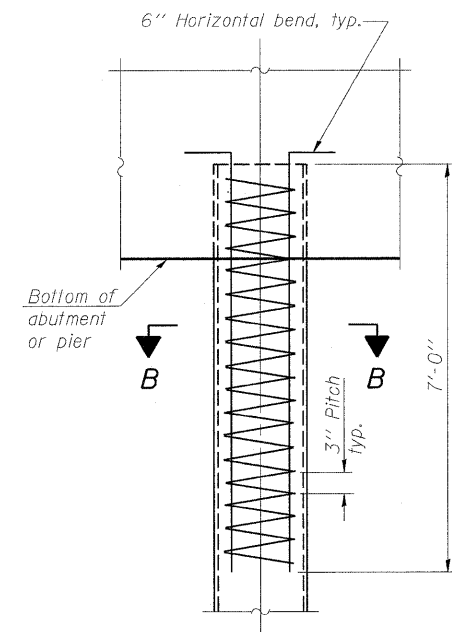
**METAL SHELL PILE SHOE ATTACHMENT**

(See Note A)

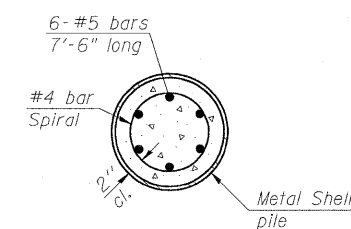


**COMPLETE PENETRATION WELD SPLICE**

\* Field fabricated backing ring may be made from pile shell by removing segment to allow reducing circumference and vertically rejoin with partial joint penetration weld.



**ELEVATION**



**SECTION B-B**

**METAL SHELL REINFORCEMENT**

Note:  
 The metal shell piles shall be according to ASTM A 252 Grade 3.

FILE NAME = 082-0394_76C47_S07_F_MS-01.dgn	USER NAME = chaste	DESIGNED - DEV	REVISED -	<b>STATE OF ILLINOIS DEPARTMENT OF TRANSPORTATION</b>	<b>METAL SHELL PILE DETAILS STRUCTURE NO. 082-0394</b>	F.A. RTE. 64	SECTION 82-1-1HBR	COUNTY ST. CLAIR	TOTAL SHEETS 93	SHEET NO. 48		
PLOT SCALE = 2:1 1" = 2'	CHECKED - ATB	REVISED -	REVISED -			SCALE:	SHEET NO. OF SHEETS STA. TO STA.	FED. ROAD DIST. NO.	ILLINOIS FED. AID PROJECT	CONTRACT NO. 76C47		
PLOT DATE = 5/1/2009	DATE - 05/01/09	REVISED -	REVISED -									