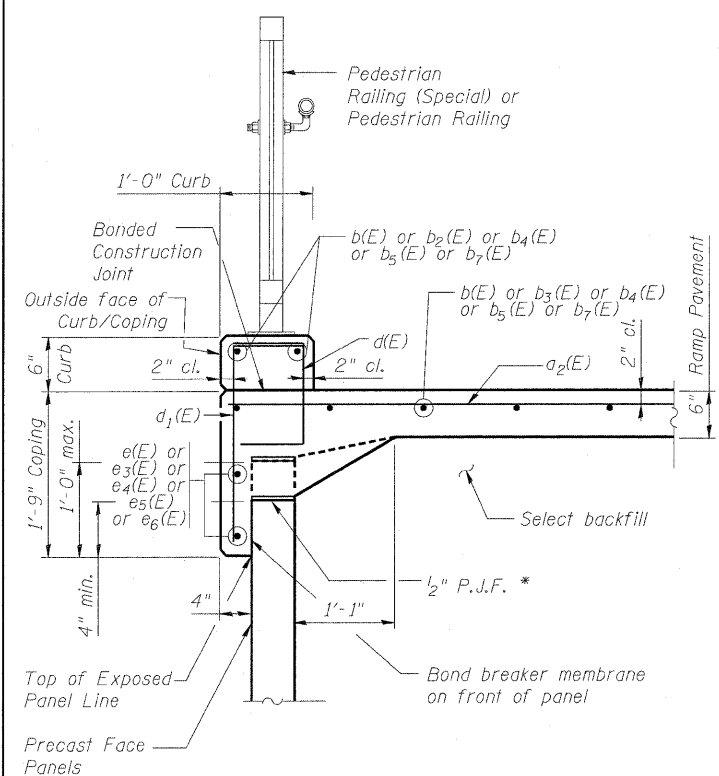
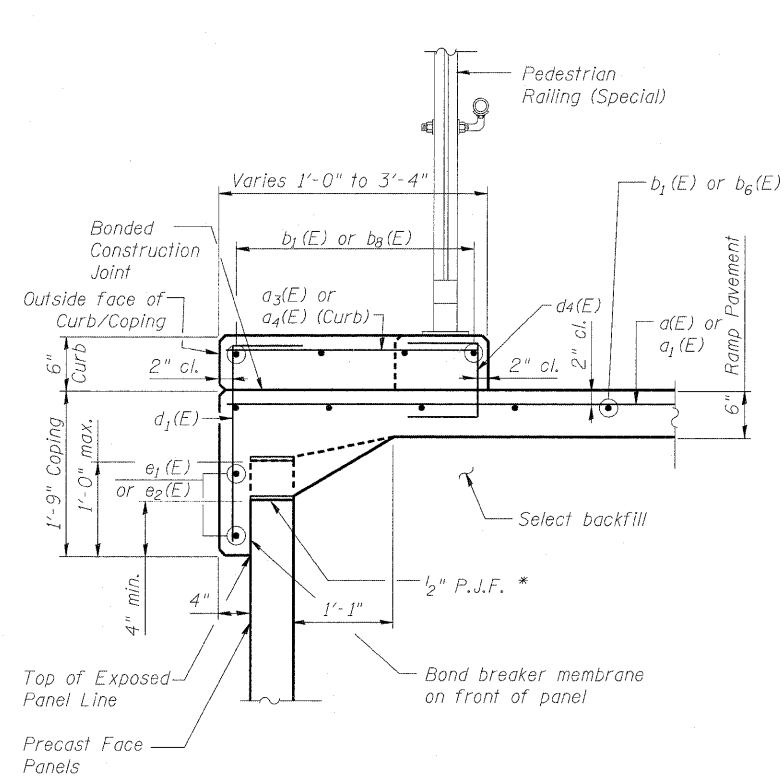


**RAMP PAVEMENT
BILL OF MATERIAL**

Bar	No.	Size	Length	Shape
a(E)	12	#5	10'- 3"	
a ₁ (E)	12	#5	9'- 4"	
a ₂ (E)	299	#5	13'- 8"	
a ₃ (E)	10	#5	3'- 8"	
a ₄ (E)	8	#5	3'- 0"	
b(E)	228	#5	14'- 8"	
b ₁ (E)	21	#5	5'- 4"	
b ₂ (E)	28	#5	4'- 8"	
b ₃ (E)	105	#5	4'- 1"	
b ₄ (E)	72	#5	9'- 7"	
b ₅ (E)	72	#5	8'- 4"	
b ₆ (E)	17	#5	5'- 2"	
b ₇ (E)	19	#5	7'- 9"	
b ₈ (E)	6	#5	6'- 8"	
b ₉ (E)	2	#5	6'- 7"	
d(E)	566	#5	2'- 5"	
d ₁ (E)	594	#5	2'- 7"	
d ₂ (E)	150	#5	3'- 0"	
d ₃ (E)	122	#5	3'- 0"	
d ₄ (E)	28	#5	2'- 0"	
e(E)	48	#4	14'- 8"	
e ₁ (E)	4	#4	5'- 6"	
e ₂ (E)	4	#4	6'- 7"	
e ₃ (E)	28	#4	4'- 8"	
e ₄ (E)	8	#4	16'- 10"	
e ₅ (E)	8	#4	11'- 7"	
e ₆ (E)	4	#4	7'- 9"	
Concrete Superstructure	Cu. Yd.		121.2	
Reinforcement Bars, Epoxy Coated	Pound		15,110	
Protective Coat	Cu. Yd.		500	

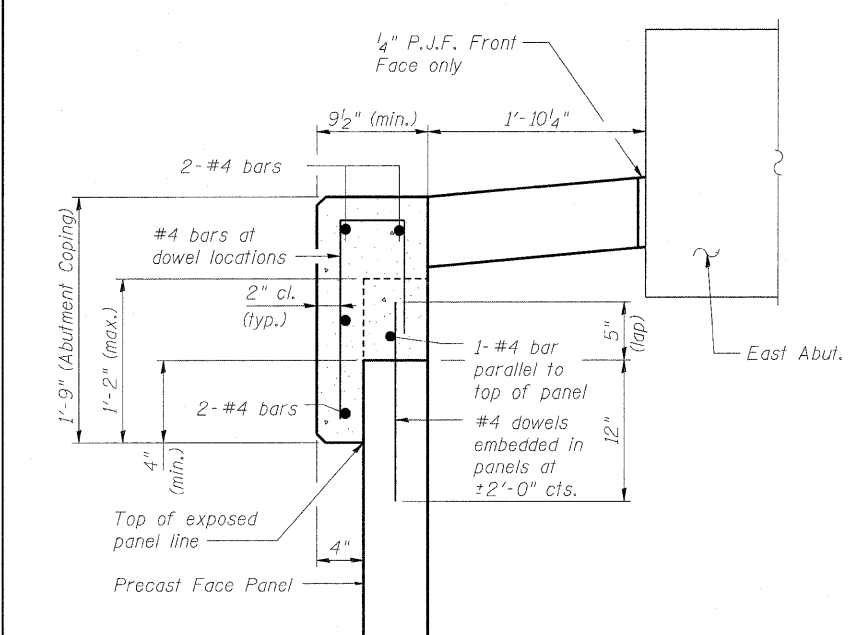


SECTION B-B



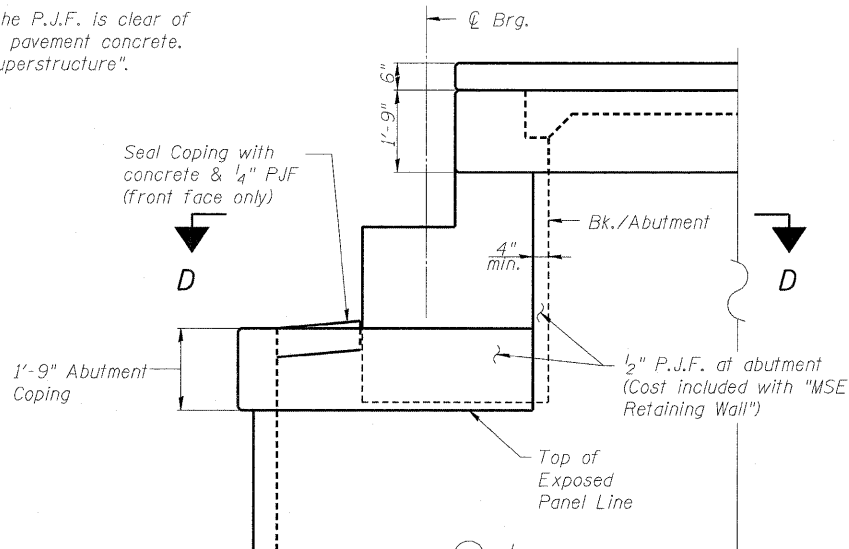
SECTION C-C

* Contractor shall ensure that the top of the P.J.F. is clear of fill and other debris before placing ramp pavement concrete. Cost of P.J.F. included with "Concrete Superstructure".

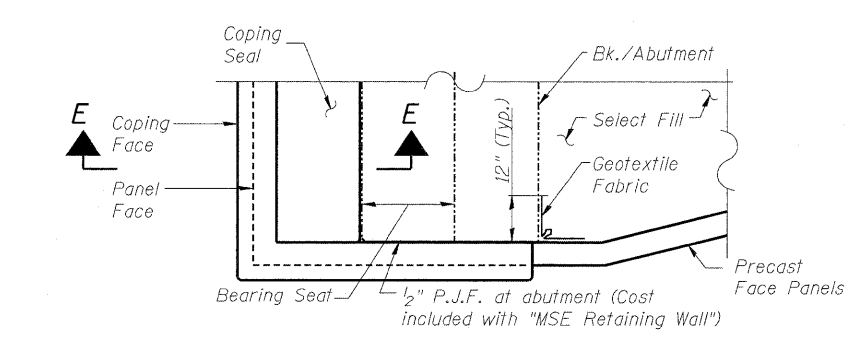


**SECTION E-E
(Cast In Place Coping Detail)**

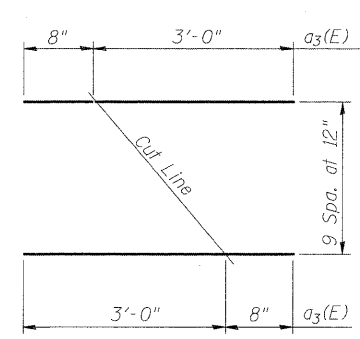
NOTE: Cost of Coping, including epoxy coated reinforcement bars, P.J.F & bond breaker is included in the pay item "Mechanically Stabilized Earth Retaining Wall".



VIEW C-C

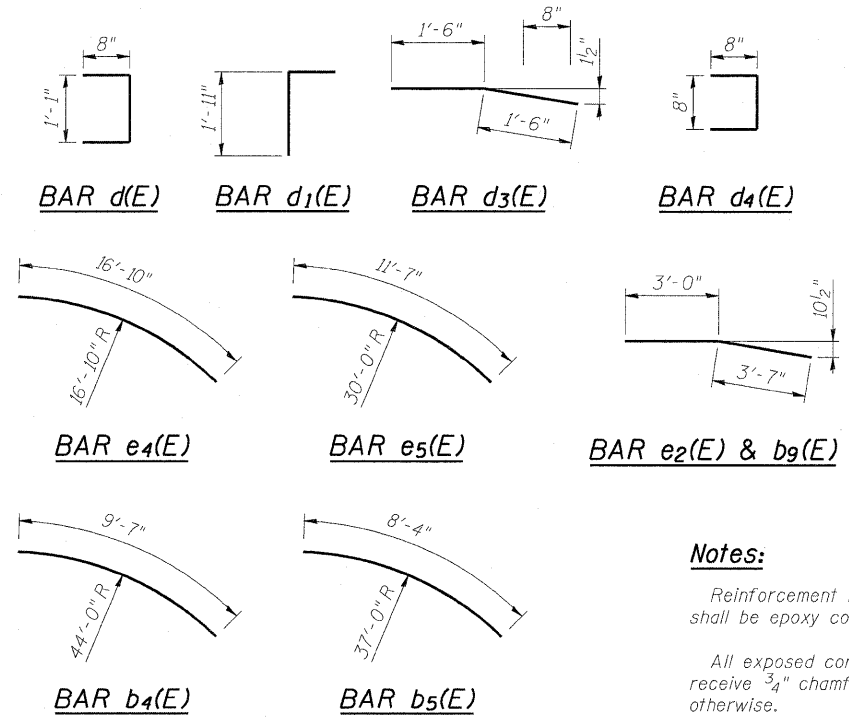


SECTION D-D



FIELD CUTTING DIAGRAM

Order bars full length. Cut as shown and use remainder of bars on other side.



Notes:
Reinforcement bars designated (E) shall be epoxy coated.
All exposed corners of concrete shall receive 3/4" chamfer unless noted otherwise.