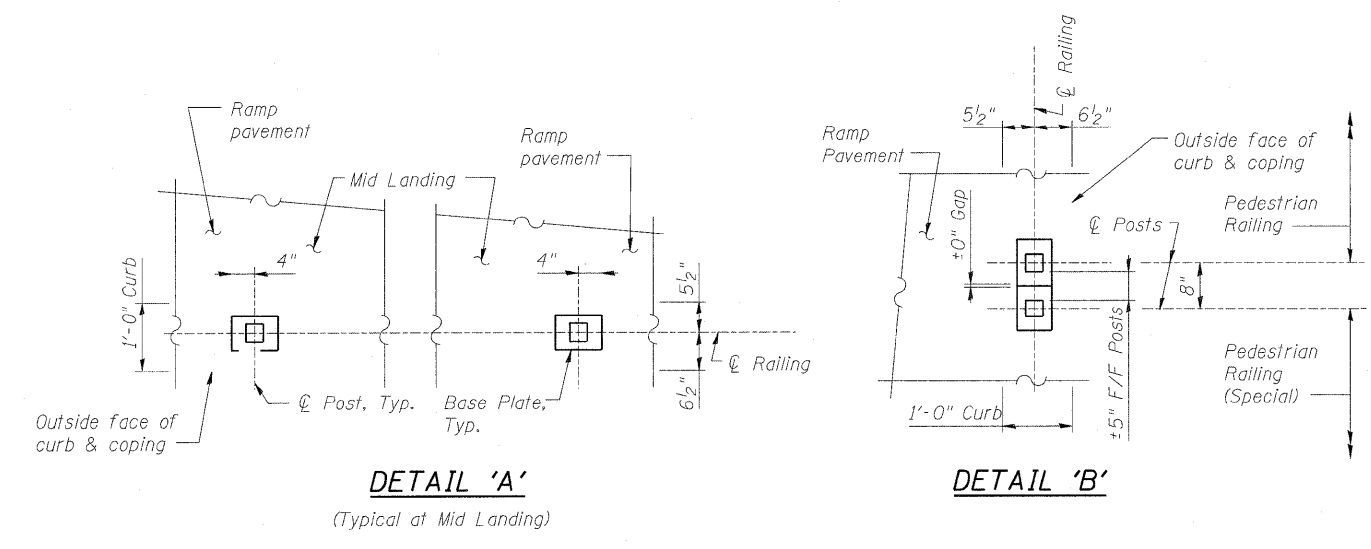
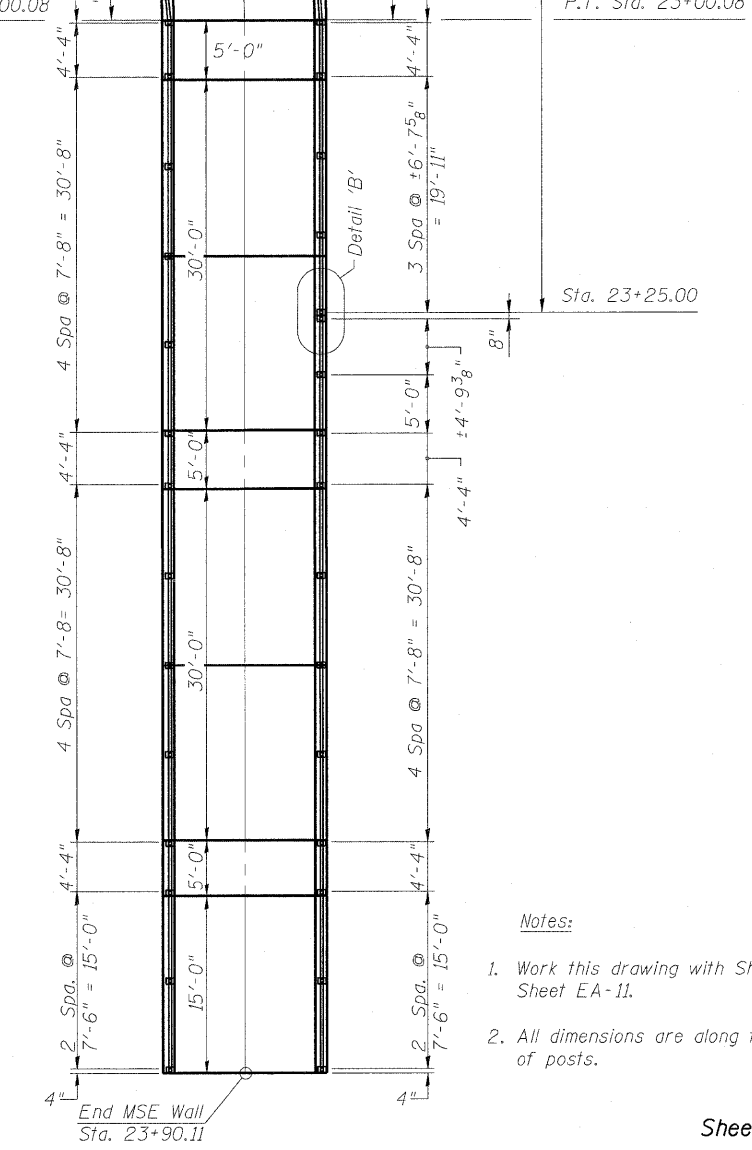


**PLAN - PEDESTRIAN RAILING LAYOUT**



**DETAIL 'A'**  
(Typical at Mid Landing)

**DETAIL 'B'**



- Notes:**
1. Work this drawing with Sheet EA-10 and Sheet EA-11.
  2. All dimensions are along the centerline of posts.

FILE NAME = 082-W229_76C47_S09_RD-01.dgn	USER NAME = bhatto	DESIGNED - DD	REVISED -	<b>STATE OF ILLINOIS DEPARTMENT OF TRANSPORTATION</b>	<b>PEDESTRIAN RAILING LAYOUT STRUCTURE NO. 082-W229</b>			F.A. RTE. = 64	SECTION = 82-1-IHBR	COUNTY = ST. CLAIR	TOTAL SHEETS = 93	SHEET NO. = 87
	PLOT SCALE = 01 1/2" / IN.	CHECKED - ATB	REVISED -					SCALE:	SHEET NO. OF SHEETS	STA. TO STA.	FED. ROAD DIST. NO.	ILLINOIS FED. AID PROJECT
PLOT DATE = 5/1/2009	DATE = 05/01/09	REVISED -	REVISED -									