

STATE OF ILLINOIS  
DEPARTMENT OF TRANSPORTATION

**GENERAL NOTES**

All structural steel shall conform to AASHTO Classification M-270 Gr. 36, unless otherwise noted.

Fasteners shall be high strength bolts. Flange splice holes shall be  $\frac{15}{16}$ "  $\phi$  for  $\frac{7}{8}$ "  $\phi$  bolts. Web splice holes shall be  $\frac{13}{16}$ "  $\phi$  for  $\frac{3}{4}$ "  $\phi$  bolts.

The Contractor shall provide support and/or shoring systems for the slab and beam in the area of existing beam removal. See Special Provisions "Temporary Shoring and Cribbing" and "Temporary Slab Support System."

After the new beam is in its final position and/or beam straightening operations have been completed, the Engineer in the field shall check to see that the top flange is tight against the slab. If not, the Contractor shall inject epoxy between the existing concrete deck and the top flange of the beam. See Special Provision "Epoxy Injection".

Plan dimensions and details relative to existing plans are subject to nominal construction variations. The Contractor shall field verify existing dimensions and details affecting new construction and make necessary approved adjustments prior to construction or ordering of materials. Such variations shall not be cause for additional compensation for a change in scope of the work, however, the Contractor will be paid for the quantity actually furnished at the unit price bid for the work.

Cost of removal and re-installation of all members necessary to complete the work as detailed on the plans and as specified in the Special Provisions shall be included with Furnishing and Erecting Structural Steel.

The existing structural steel coating contains lead. The Contractor shall take appropriate precautions to deal with the presence of lead on this project.

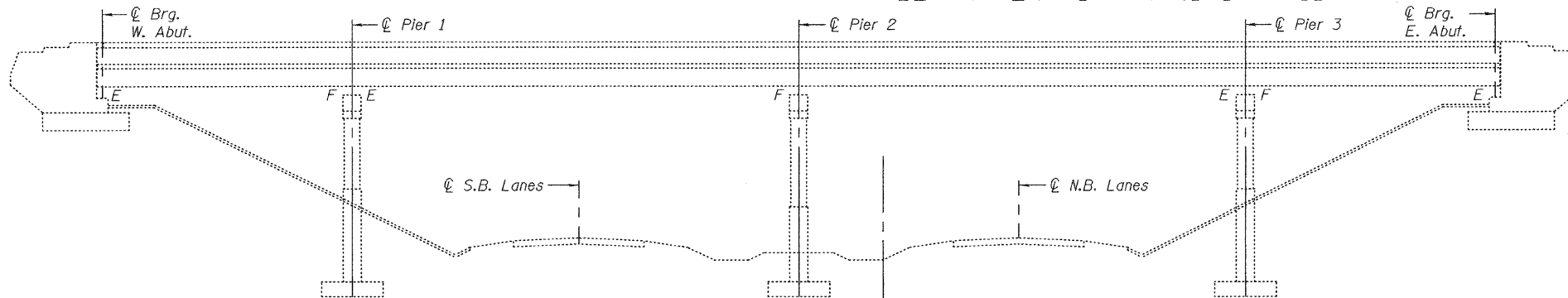
Existing structural steel that will be in contact with new structural steel shall be cleaned and painted prior to erection as required by the Special Provision "Cleaning and Painting Contact Surface Areas of Existing Steel Structures", and "Cleaning and Painting New Metal Structures". The color of the final finish coat shall be Green, Munsell No. 7.5G 4/8. Cost included with Furnishing and Erecting Structural Steel.

Diaphragm connection holes shall be  $\frac{15}{16}$ "  $\phi$  for  $\frac{3}{4}$ "  $\phi$  bolts. Two hardened washers shall be required at diaphragm connections.

Load carrying components designated "NTR" shall conform to the Supplemental Requirements for Notch Toughness, Zone 2.

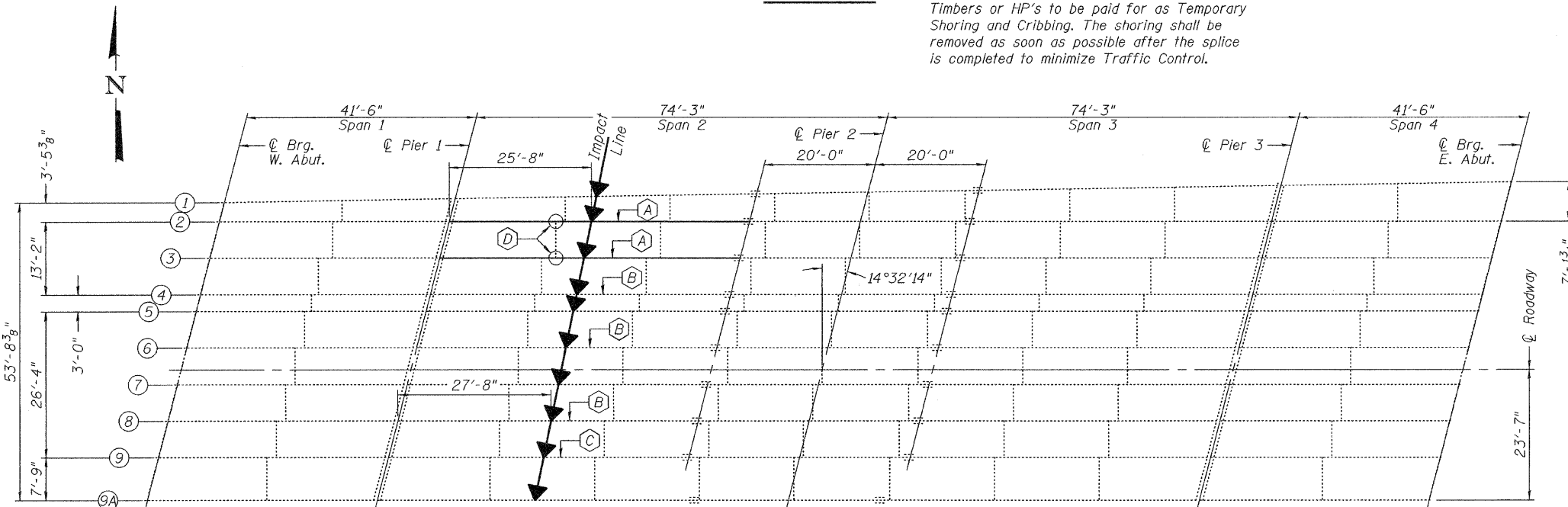
The Inorganic Zinc Rich Primer / Acrylic / Acrylic Paint System shall be used for shop and field painting of new structural steel except where otherwise noted. The color of the final finish coat shall be Interstate Green, Munsell No. 7.5G 4/8. See Special Provision "Cleaning and Painting New Metal Structures".

The Contractor is responsible for the method of supporting the portion of existing girder to be removed prior to, during cutting and removal operations, and shall ensure that cuts made are smooth and straight.



**ELEVATION**

Temporary shoring may be required to facilitate alignment of existing splice. Use 12" x 12" Timbers or HP's to be paid for as Temporary Shoring and Cribbing. The shoring shall be removed as soon as possible after the splice is completed to minimize Traffic Control.



**FRAMING PLAN**

- (A) Remove and replace Beam Segment
- (B) Existing beam to be straightened and strengthened
- (C) Existing beam to be straightened
- (D) Replace bottom clip L

**TOTAL BILL OF MATERIAL**

ITEM	UNIT	QUANTITY
Furnishing and Erecting Structural Steel	Pound	25,790
Structural Steel Removal	Pound	14,270
Temporary Slab Support System	L.S.	1
Beam Straightening	L.S.	1
Temporary Shoring and Cribbing	L.S.	1

DESIGNED *Augie Boyart*  
CHECKED *Alma Holloway*  
DRAWN *[Signature]*  
CHECKED *ASB ATH*

EXAMINED *[Signature]*  
PASSED *[Signature]*  
ENGINEER OF STRUCTURAL SERVICES  
ENGINEER OF BRIDGES AND STRUCTURES



Expires: November 30, 2010

**PLAN AND ELEVATION**  
**SN 060-0039**

SHEET NO.	F.A.I. RTE.	SECTION	COUNTY	TOTAL SHEETS	SHEET NO.
1	270	60-2HB-I-HDF-2	Madison	8	5
4 SHEETS					
FED. ROAD DIST. NO.			ILLINOIS FED. AID PROJECT		
			CONTRACT NO. 76C95		