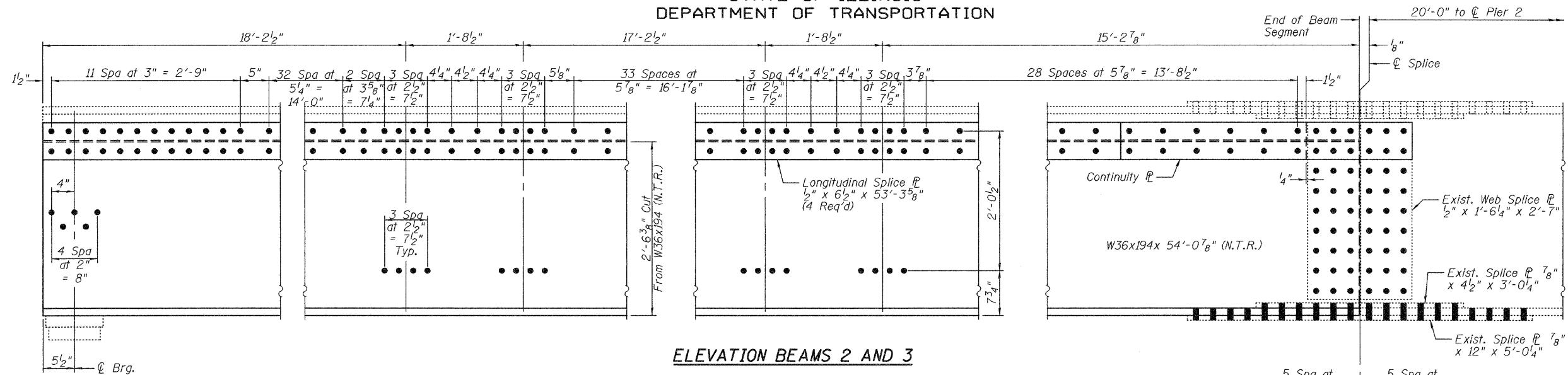
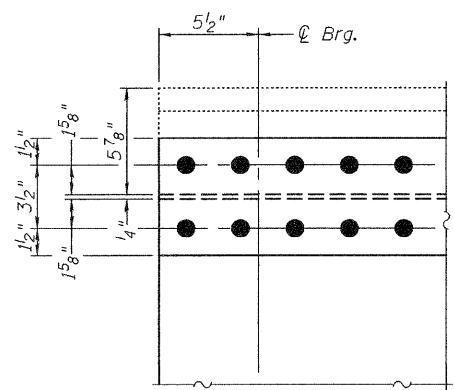


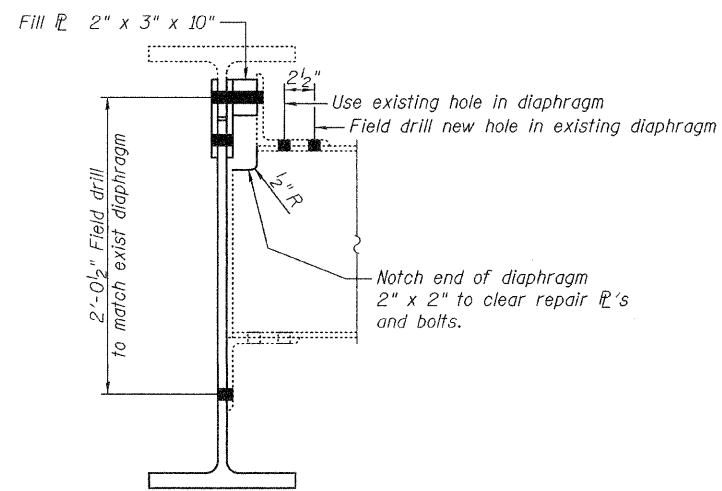
STATE OF ILLINOIS
DEPARTMENT OF TRANSPORTATION



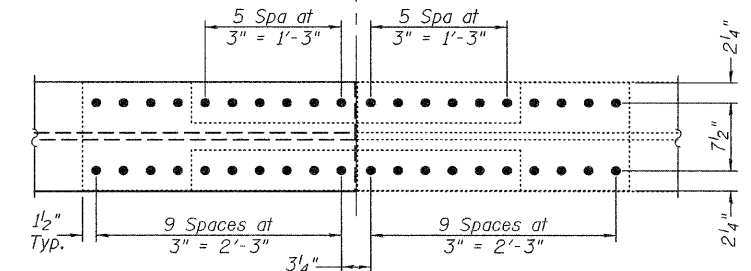
ELEVATION BEAMS 2 AND 3



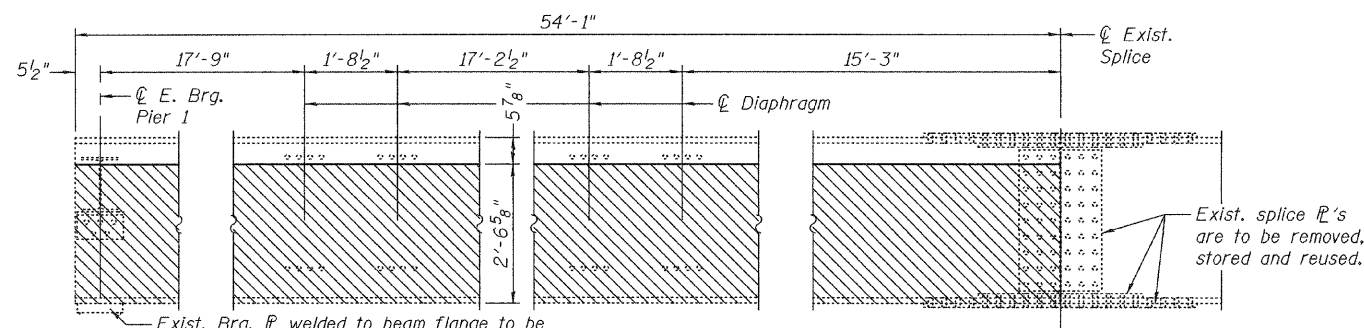
LONGITUDINAL SPLICE
AND BEAM END DETAIL



TYPICAL SECTION AT
INTERIOR DIAPHRAGM



TYPICAL END ELEVATION

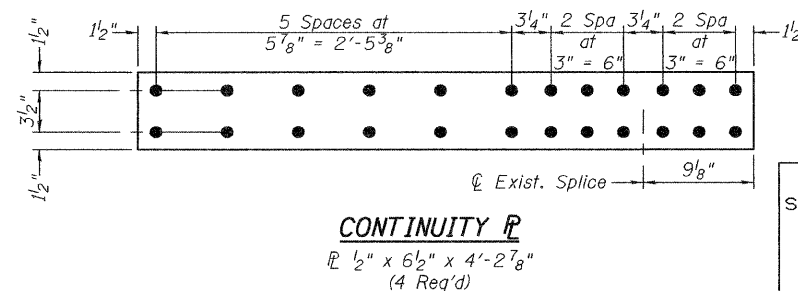


TYPICAL REMOVAL DETAIL
BEAMS 2 AND 3

All cut edges are to be ground smooth and be free of any nicks, gauges or irregularities.

DESIGNED	A.J.B.
CHECKED	A.T.H.
DRAWN	Drew Christopher
CHECKED	A.J.B. A.T.H.

EXAMINED	July 27, 2009
PASSED	Carl Henry ENGINEER OF STRUCTURAL SERVICES
	Ralph E. Anderson ENGINEER OF BRIDGES AND STRUCTURES



CONTINUITY PLATE
L 1/2" x 6 1/2" x 4'-2 7/8"
(4 Req'd)

SHEET NO. 4 4 SHEETS	F.A.I. RTE. 270	SECTION 60-2HB-1-HDF-2	COUNTY Madison	TOTAL SHEETS 8	SHEET NO. 8
	FED. ROAD DIST. NO.	ILLINOIS FED. AID PROJECT	CONTRACT NO. 76C95		

DETAILS
SN 060-0039