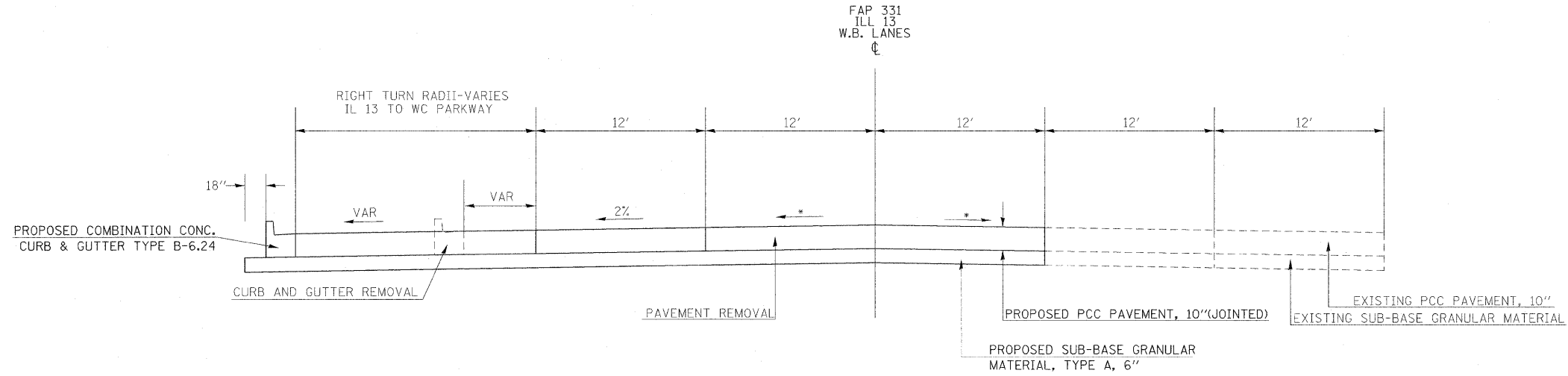
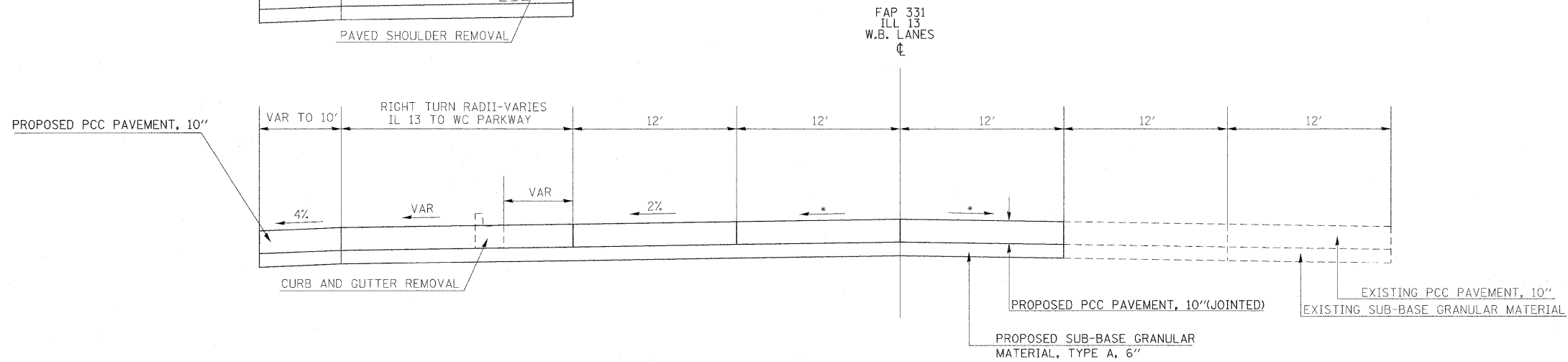
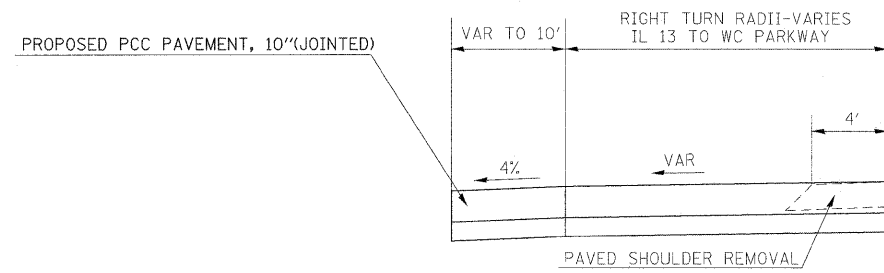


# TYPICAL SECTIONS



TO BE USED:  
STA 777+69.57 to STA 778+08.00

TO BE USED:  
STA 778+18.80 to STA 778+53.92



TO BE USED:  
STA 778+08.00 to STA 778+35.00

NOTE: SEE GEOMETRICS SHEET FOR EDGE OF PAVEMENT ELEVATIONS AROUND RADII  
\* MATCH EXISTING SLOPES

FILE NAME =	USER NAME = russello	DESIGNED -	REVISED -	<b>STATE OF ILLINOIS DEPARTMENT OF TRANSPORTATION</b>	<b>TYPICAL SECTIONS-IL 13 WB</b>			F.A.P. RTE.	SECTION	COUNTY	TOTAL SHEETS	SHEET NO.
et:\pw\work\PMIDOT\RUSSELLCF\dms43738\d9_78053_sht_typical.dgn	PLOT SCALE = 5.00' / IN.	DRAWN -	REVISED -					331	SEC. NO. (1X-1)N-1, TS-2	WILLIAMSON	190	16
	PLOT DATE = 5/5/2009	CHECKED -	REVISED -		SCALE: SHEET NO. OF SHEETS STA. TO STA.			CONTRACT NO. 78053				
		DATE -	REVISED -		FED. ROAD DIST. NO.		ILLINOIS FED. AID PROJECT					