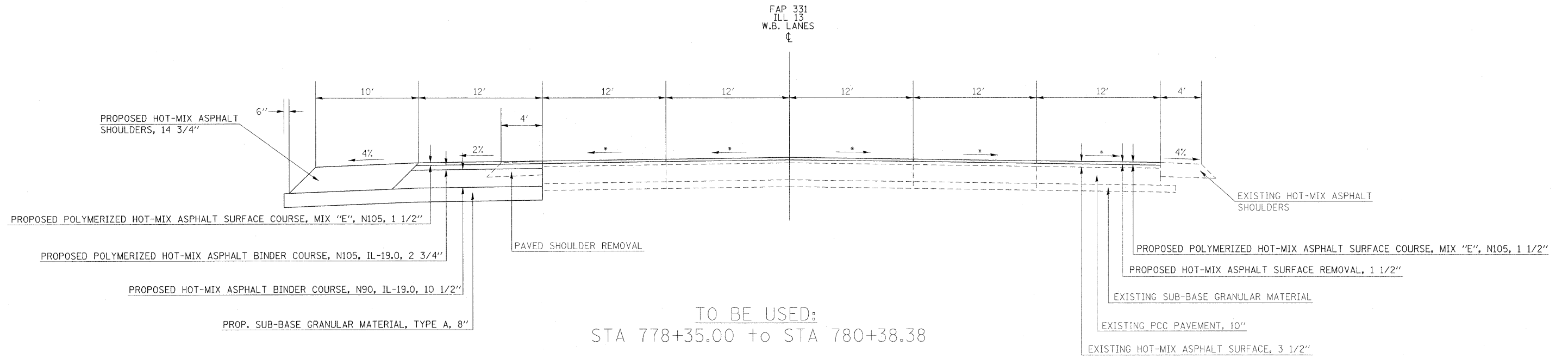
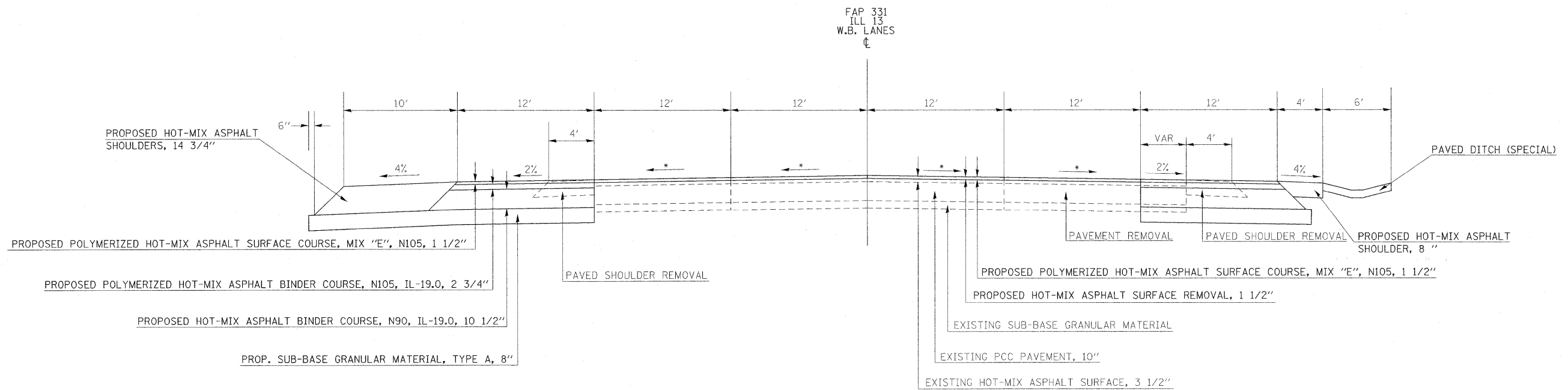


TYPICAL SECTIONS



• MATCH EXISTING CROSS SLOPES



FILE NAME =	USER NAME = russellcf	DESIGNED -	REVISED -	STATE OF ILLINOIS DEPARTMENT OF TRANSPORTATION	TYPICAL SECTIONS-IL 13 WB			F.A.P. RTE.	SECTION	COUNTY	TOTAL SHEETS	SHEET NO.
et:\pwork\PWID01\RUSSELLCF\dms43738\d9.78053_sht_typical.dgn	PLOT SCALE = 5.00' / IN.	DRAWN -	REVISED -					331	SEC. NO. (IX-1N-1, TS-2)	WILLIAMSON	190	17
	PLOT DATE = 5/5/2009	CHECKED -	REVISED -		SCALE: SHEET NO. OF SHEETS STA. TO STA.			CONTRACT NO. 78053				
		DATE -	REVISED -					FED. ROAD DIST. NO. [ILLINOIS] FED. AID PROJECT				