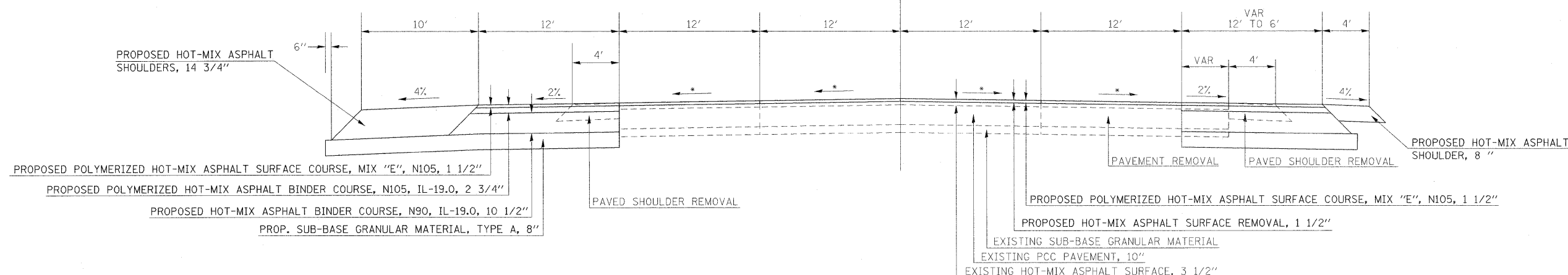


TYPICAL SECTIONS

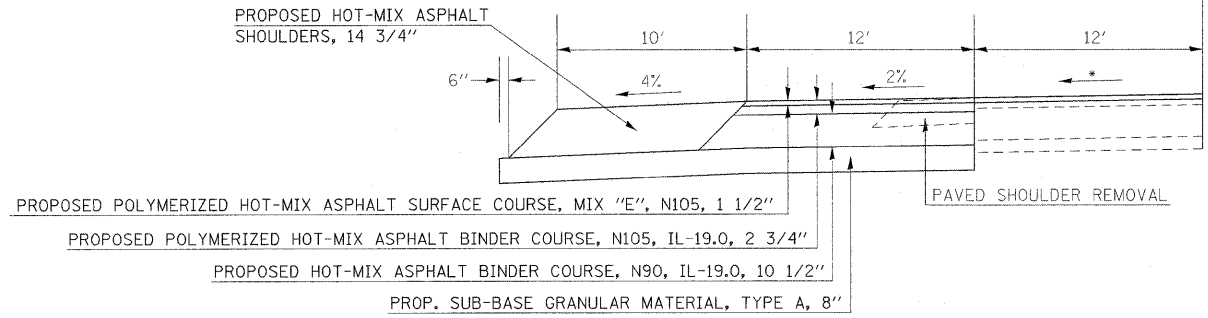
FAP 331
ILL 13
W.B. LANES
↓



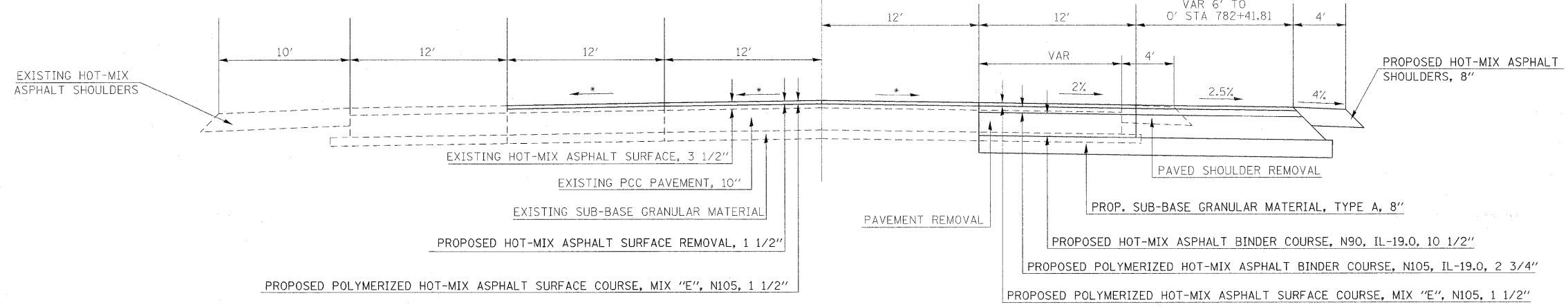
TO BE USED:
STA 781+21.91 to STA 781+80.52

TO BE USED:
STA 781+80.52 to STA 782+04.38

• MATCH EXISTING CROSS SLOPES



FAP 331
ILL 13
W.B. LANES
↓



TO BE USED:
STA 781+80.52 to STA 782+41.81

FILE NAME =	USER NAME = russellof	DESIGNED -	REVISED -	STATE OF ILLINOIS DEPARTMENT OF TRANSPORTATION	TYPICAL SECTIONS-IL 13 WB			F.A.P. RTE.	SECTION	COUNTY	TOTAL SHEETS	SHEET NO.
et:\pw_work\PIWIDOT\RUSSELLCF\dms43738\d9.78053.sht.typical.dgn	PLOT SCALE = 5.00' / IN.	DRAWN -	REVISED -					331	SEC. NO. (IX-1)N-1, TS-2	WILLIAMSON	190	18
	PLOT DATE = 5/5/2009	CHECKED -	REVISED -		SCALE: SHEET NO. OF SHEETS STA. TO STA.			CONTRACT NO. 78053				
		DATE -	REVISED -					FED. ROAD DIST. NO. [ILLINOIS] FED. AID PROJECT				