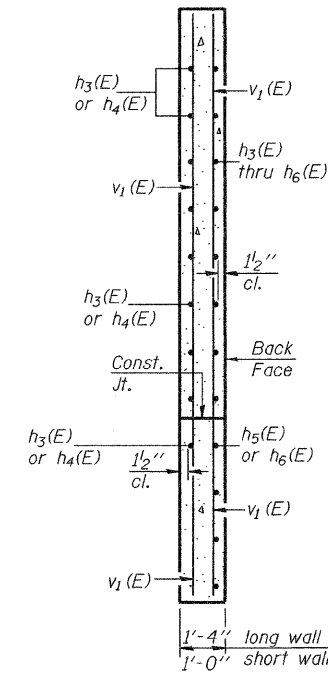
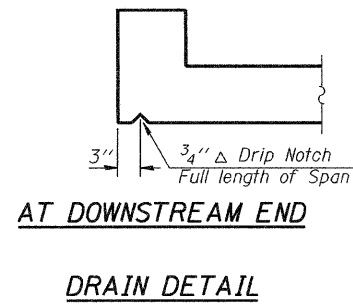
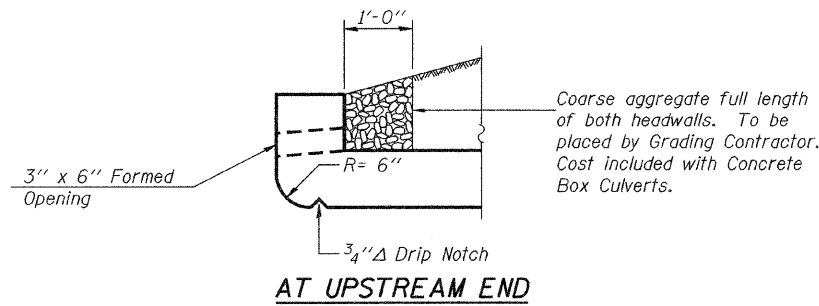
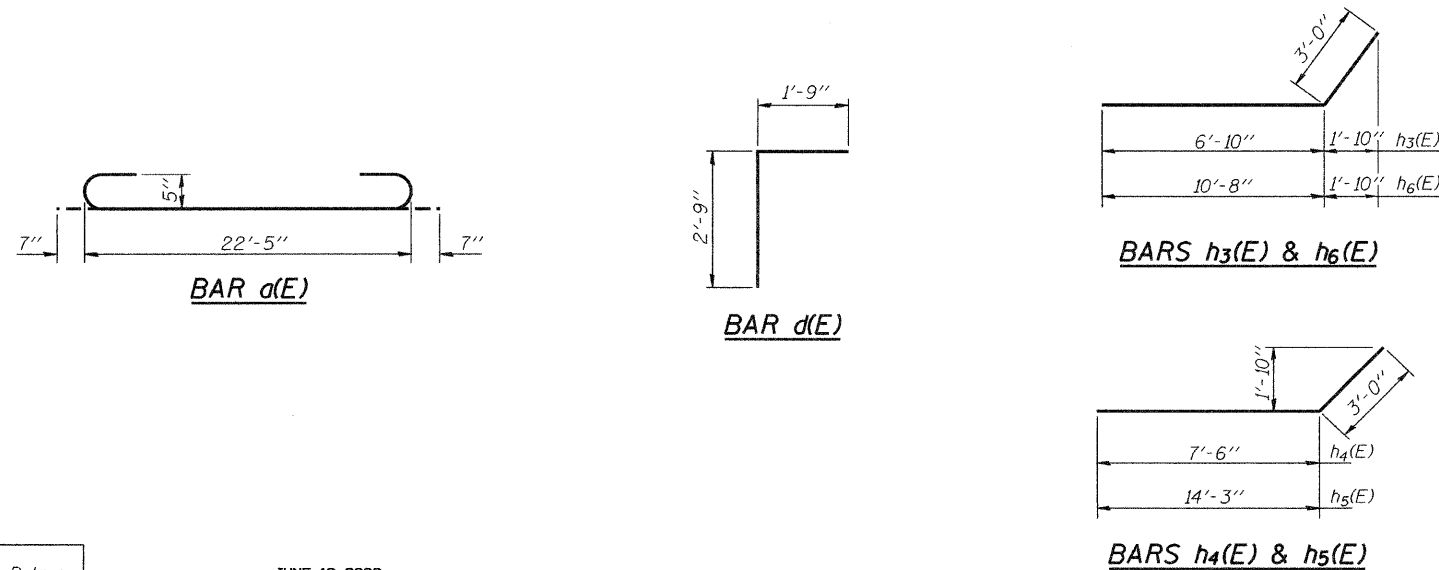


STATE OF ILLINOIS
DEPARTMENT OF TRANSPORTATION



SECTION A-A



**BILL OF MATERIAL
W.B. EXTENSION**

Bar	No.	Size	Length	Shape
a(E)	134	#5	23'-7"	U
a ₁ (E)	124	#7	10'-0"	—
a ₂ (E)	84	#4	7'-6"	—
a ₃ (E)	8	#6	22'-4"	—
d(E)	42	#4	4'-6"	L
h ₁ (E)	6	#5	22'-4"	—
h ₂ (E)	222	#5	19'-7"	—
h ₃ (E)	15	#8	9'-10"	—
h ₄ (E)	15	#8	10'-6"	—
h ₅ (E)	10	#8	17'-3"	—
h ₆ (E)	10	#8	13'-8"	—
v(E)	209	#4	8'-8"	—
v ₁ (E)	8	#4	11'-5"	—
Anchor Bolts 3/4" φ			Each	38
Concrete Box Culverts			Cu. Yd.	92.2
Reinforcement Bars, Epoxy Coated			Pound	14,220

**WESTBOUND EXTENSION DETAILS
STRUCTURE NO. 100-2007**

DESIGNED	Patrick M. Petrone
CHECKED	Jay D. Edwards
DRAWN	BECKY M. LEACH
CHECKED	PMP/JDE

EXAMINED	Thomas J. Domagala ENGINEER OF CIVIL DESIGN
PASSED	Ralph E. Anderson ENGINEER OF BRIDGES AND STRUCTURES

JUNE 10, 2009

SHEET NO. 4 7 SHEETS	F.A.P. RTE.	SECTION	COUNTY	TOTAL SHEETS	SHEET NO.
	331	1X-1	WILLIAMSON	190	97
FED. ROAD DIST. NO.			ILLINOIS FED. AID PROJECT		

CONTRACT NO. 78053