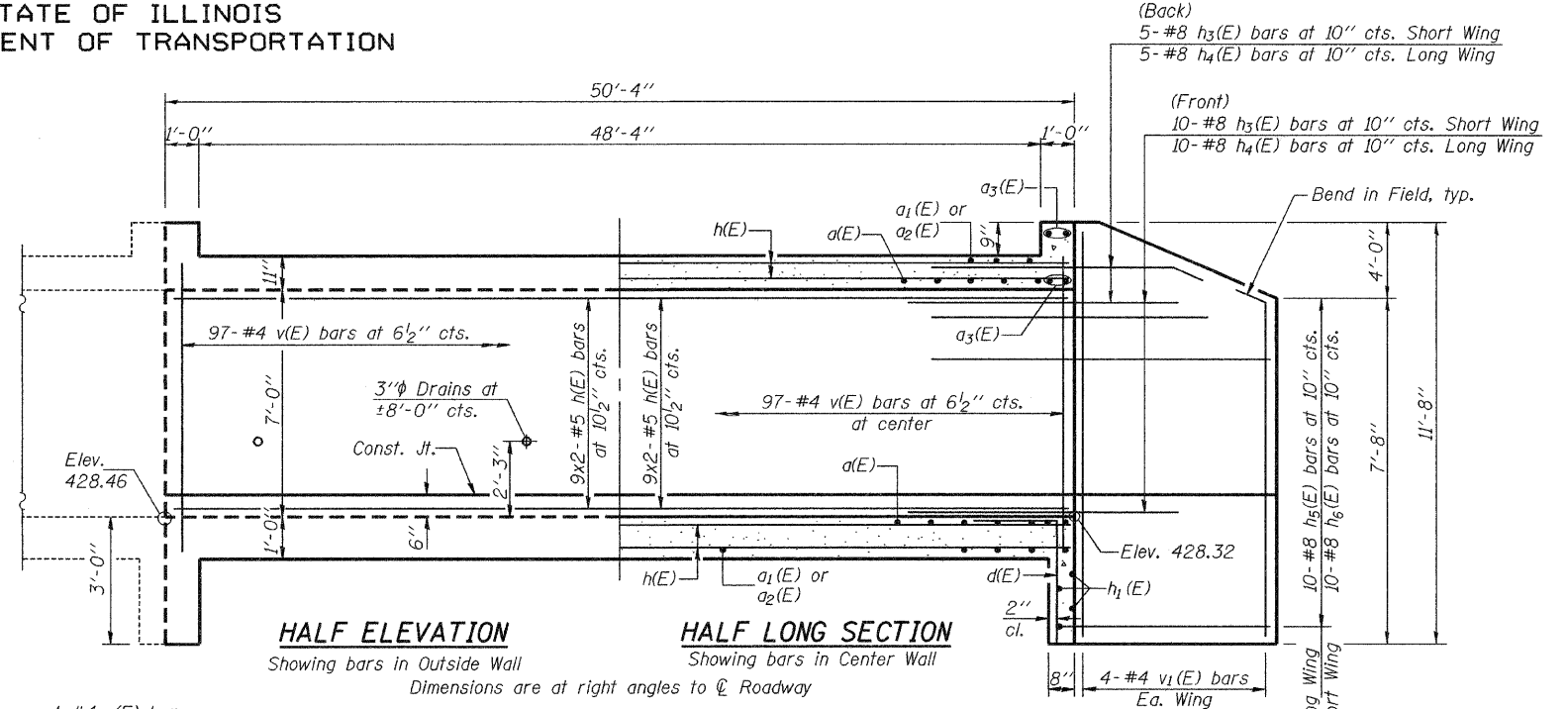
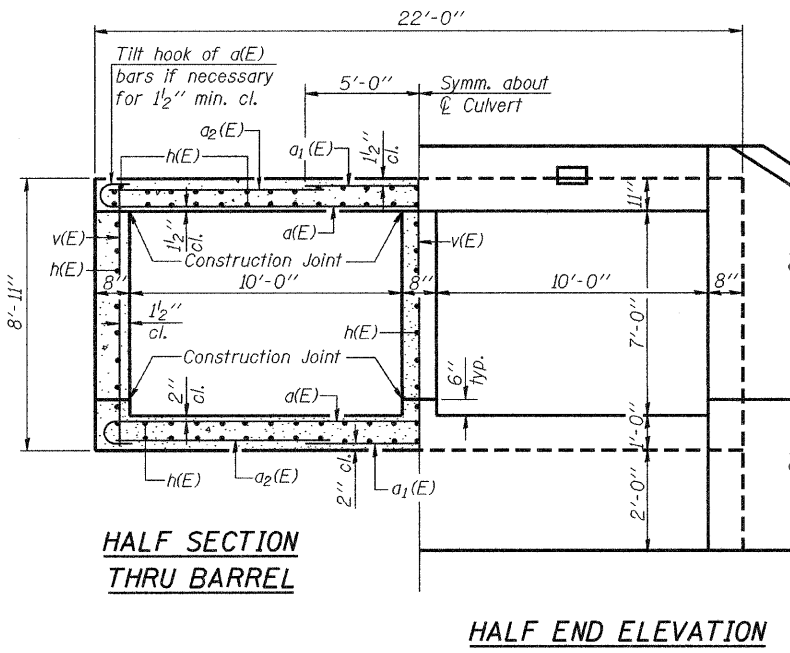
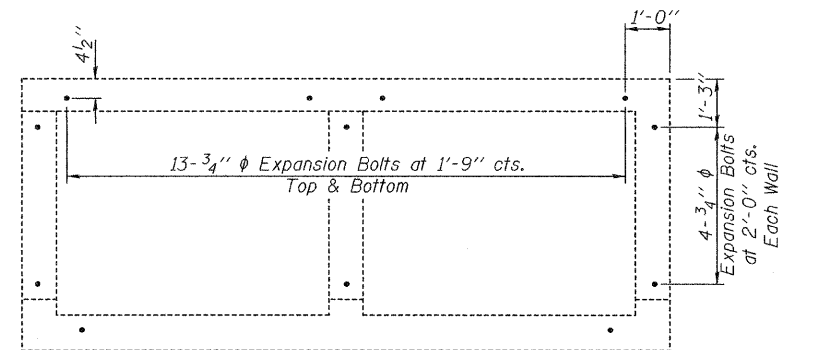
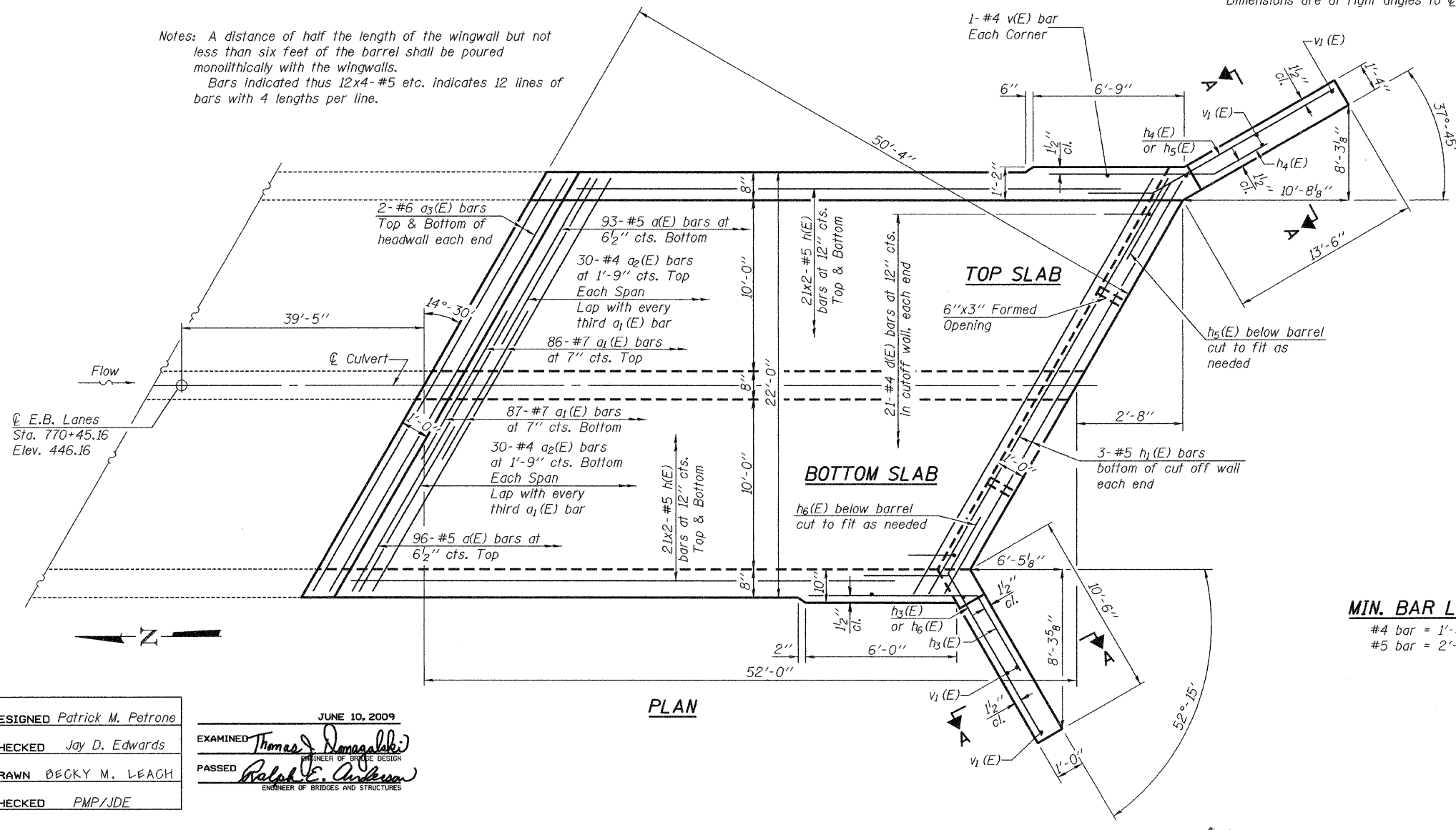


STATE OF ILLINOIS
DEPARTMENT OF TRANSPORTATION



Notes: A distance of half the length of the wingwall but not less than six feet of the barrel shall be poured monolithically with the wingwalls.
 Bars indicated thus 12x4-#5 etc. indicates 12 lines of bars with 4 lengths per line.



MIN. BAR LAPS
 #4 bar = $1'-8''$
 #5 bar = $2'-2''$

DESIGNED Patrick M. Petrone	JUNE 10, 2009
CHECKED Jay D. Edwards	EXAMINED Thomas J. Domagala
DRAWN BECKY M. LEACH	PASSED Robert E. Anderson
CHECKED PMP/JDE	ENGINEER OF BRIDGES AND STRUCTURES

**EASTBOUND EXTENSION
STRUCTURE NO. 100-2007**

SHEET NO. 5 7 SHEETS	F.A.P. RTE. 331	SECTION 1X-1	COUNTY WILLIAMSON	TOTAL SHEETS 190	SHEET NO. 98
	CONTRACT NO. 78053				
FED. ROAD DIST. NO. ILLINOIS FED. AID PROJECT					