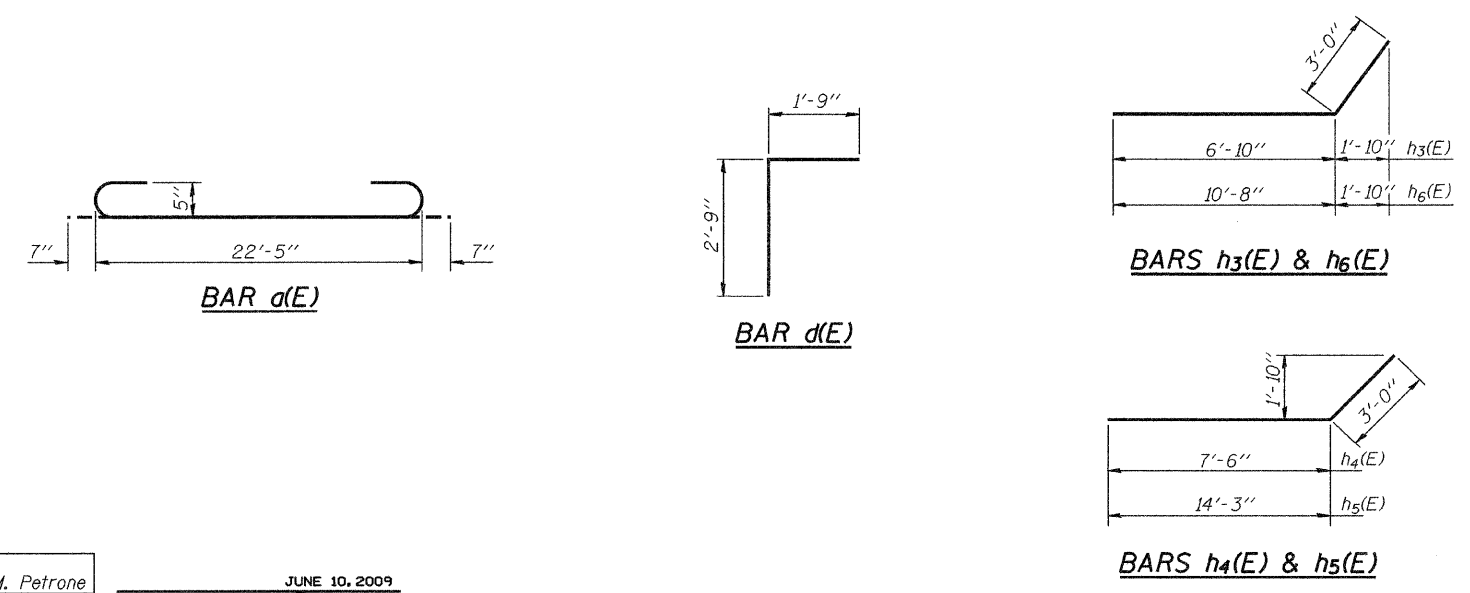
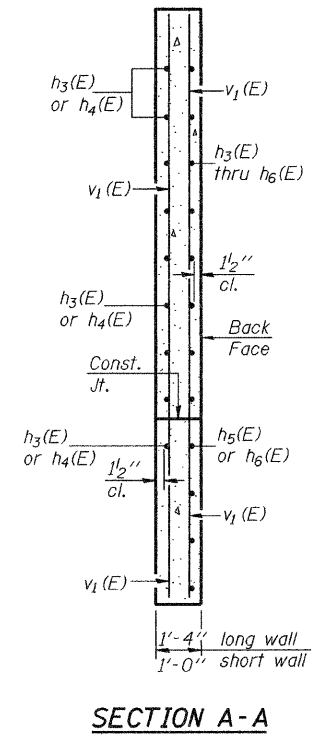
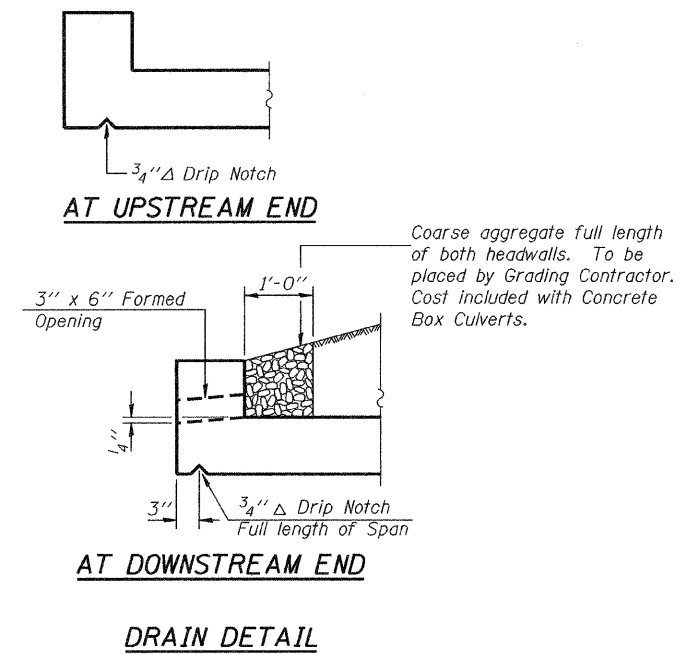


STATE OF ILLINOIS
DEPARTMENT OF TRANSPORTATION



BILL OF MATERIAL
E.B. EXTENSION

Bar	No.	Size	Length	Shape
a(E)	189	#5	23'-7"	U
a ₁ (E)	173	#7	10'-0"	—
a ₂ (E)	120	#4	7'-6"	—
a ₃ (E)	8	#6	22'-4"	—
d(E)	42	#4	4'-6"	L
h(E)	222	#5	27'-0"	—
h ₁ (E)	6	#5	22'-4"	—
h ₃ (E)	15	#8	9'-10"	—
h ₄ (E)	15	#8	10'-6"	—
h ₅ (E)	10	#8	17'-3"	—
h ₆ (E)	10	#8	13'-8"	—
v(E)	293	#4	8'-8"	—
v ₁ (E)	8	#4	11'-5"	—
Anchor Bolts	3/4" φ	Each	38	
Concrete Box Culverts		Cu. Yd.	123.0	
Reinforcement Bars, Epoxy Coated		Pound	18,970	

EASTBOUND EXTENSION DETAILS
STRUCTURE NO. 100-2007

DESIGNED Patrick M. Petrone
 CHECKED Jay D. Edwards
 DRAWN BECKY M. LEACH
 CHECKED PMP/JDE

JUNE 10, 2009
 EXAMINED Thomas J. Domagala
 PASSED Ralph E. Anderson

SHEET NO. 6 7 SHEETS	F.A.P. RTE.	SECTION	COUNTY	TOTAL SHEETS	SHEET NO.
		1X-1	WILLIAMSON	190	99
FED. ROAD DIST. NO.			ILLINOIS FED. AID PROJECT		
CONTRACT NO. 78053					