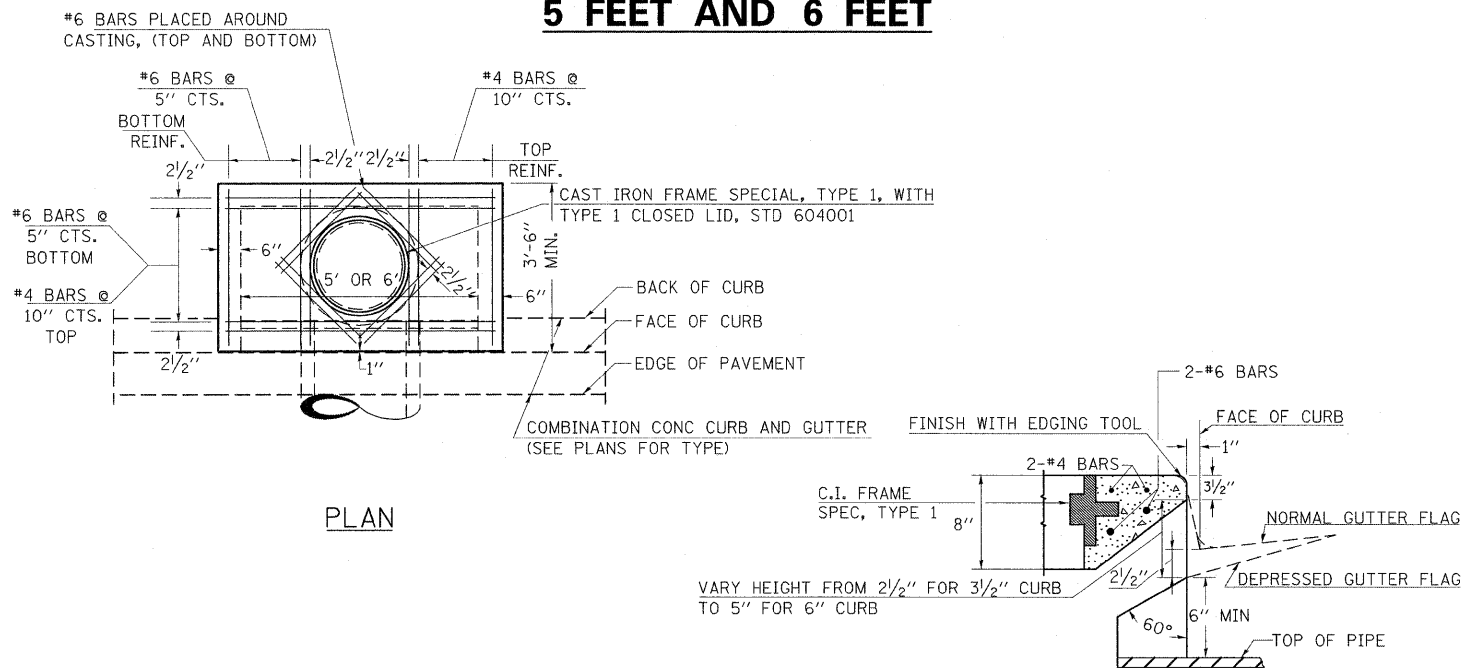
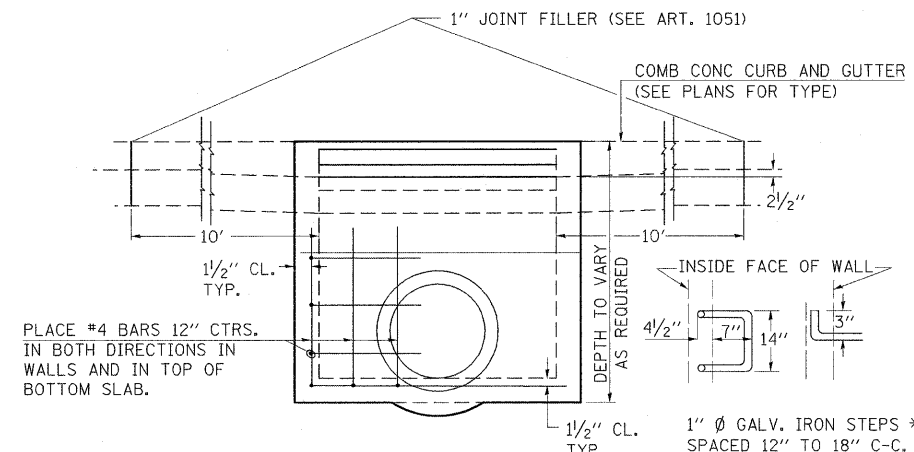


## DETAILS OF INLET SPECIAL, TYPE 3, 5 FEET AND 6 FEET



PLAN

SECTION AT WEIR



ELEVATION

DESIGN	PIPE DIA	"D"
A	18" & LESS	2'-6"
B	21" & 24"	3'-0"
C	27" & 30"	3'-7"
D	33" & 36"	4'-2"
E	42"	4'-9"
F	48"	5'-0"
G	54"	6'-1"

**NOTES:**

PROVIDE 1/2" CLEARANCE TYP. ALL REINFORCEMENT UNLESS OTHERWISE SPECIFIED.

CLASS SI CONCRETE SHALL BE USED THROUGHOUT. SET FACE OF INLET 1" BEHIND FACE OF CURB. DEPRESS GUTTER FLOWLINE AT INLET 2 1/2" BELOW NORMAL GUTTER FLOWLINE. CONSTRUCT TRANSITION IN FLOWLINE IN 10 FEET EACH SIDE OF INLET. PIPES TO BE CONNECTED TO INLET AS SHOWN ON STORM SEWER LAYOUT.

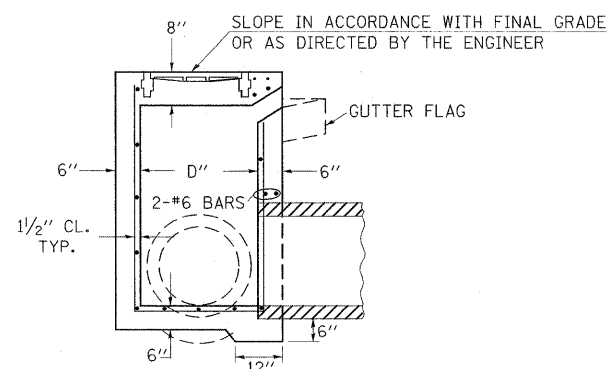
INLETS WILL BE PAID FOR AT THE CONTRACT UNIT PRICE EACH FOR INLET, SPECIAL, TYPE 3, 5 FEET OR INLET, SPECIAL, TYPE 3, 6 FEET WHICH PRICE SHALL INCLUDE THE CAST IRON FRAME, SPECIAL, TYPE 1 WITH TYPE 1 CLOSED LID, THE REINFORCEMENT BARS, METAL STEPS AND JOINT FILLER.

\*\*THE GALVANIZED IRON STEPS AS DETAILED HEREON ARE TYPICAL. STEPS OF OTHER DESIGN AND MATERIAL THAT WILL CONFORM TO THE MINIMUM REQUIREMENTS OF THE STEPS SHOWN. MAY BE USED WHEN APPROVED BY THE ENGINEER.

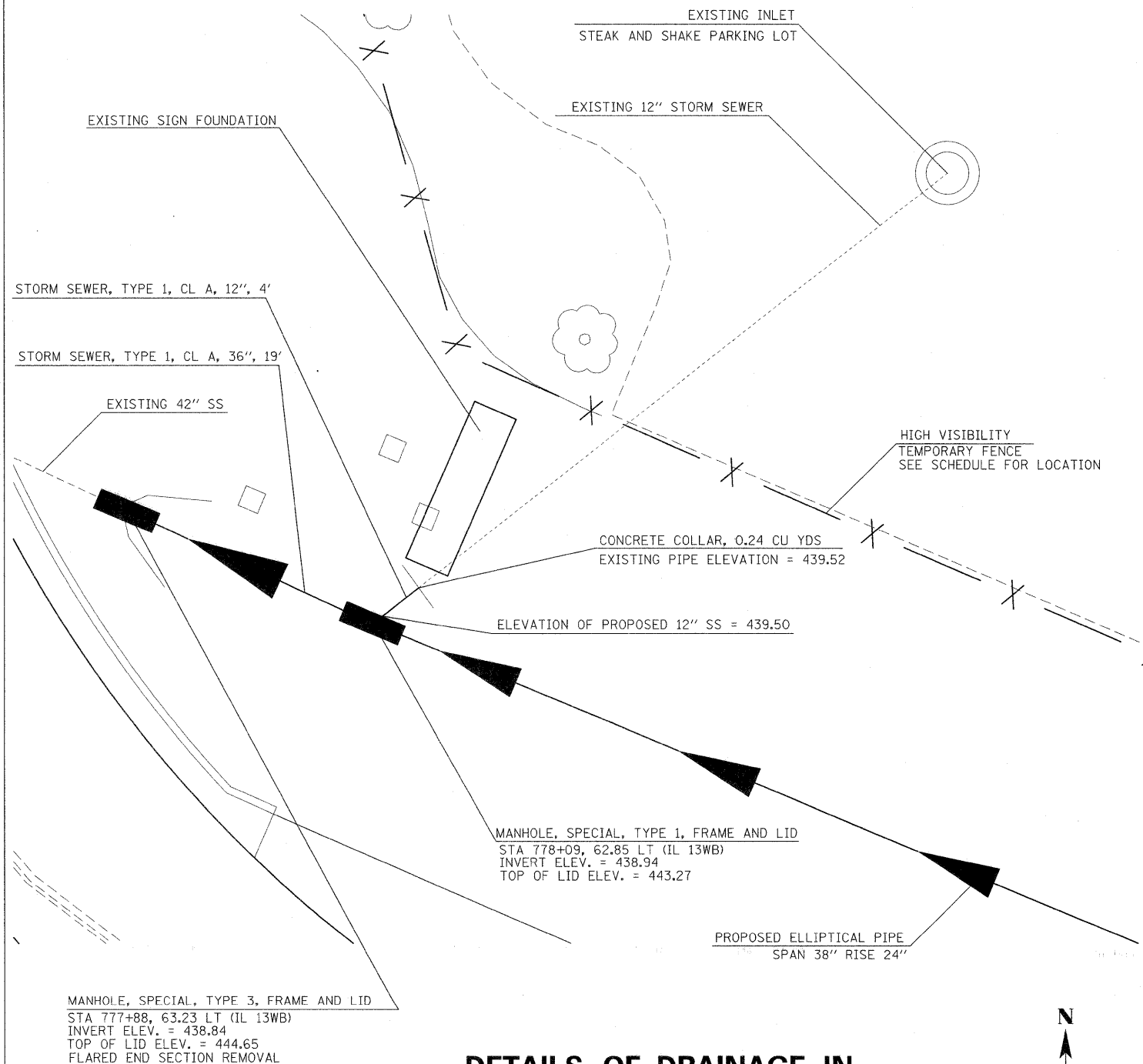
IF THE INLET IS NOT CAST IN PLACE THEN THE INLET SHALL BE PRODUCED ACCORDING TO THE DEPARTMENT'S CURRENT POLICY MEMORANDUM, "QUALITY CONTROL/QUALITY ASSURANCE PROGRAM FOR PRECAST CONCRETE PRODUCTS".

**NOTE TO DESIGNER:**

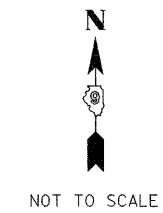
WHEN USING THIS STANDARD THE DESIGNER SHOULD ALSO CHECK BDE SPECIAL PROVISION 419 "PRECAST CONCRETE PRODUCTS".



SECTION



## DETAILS OF DRAINAGE IN NORTHEAST QUADRANT OF IL 13 AND WILLIAMSON COUNTY PARKWAY



NOT TO SCALE

FILE NAME =	USER NAME = russellof	DESIGNED -	REVISED -	<b>STATE OF ILLINOIS DEPARTMENT OF TRANSPORTATION</b>	DETAIL : INLET SPECIAL TYPE 3, DRAINAGE NORTHEAST QUAD	F.A.P. RTE. 331	SECTION SEC. NO. (IX-JUN-1, TS-2)	COUNTY WILLIAMSON	TOTAL SHEETS 190	SHEET NO. 103
es:\pw_work\PMIDOT\RUSSELLCF\dms43738\d	78053.sht_details.dgn	DRAWN -	REVISED -	SCALE:	SHEET NO. OF SHEETS STA. TO STA.	CONTRACT NO. 78053				
PLOT SCALE = 50.00' / IN.	PLOT DATE = 5/5/2009	CHECKED -	REVISED -	STD. 9-1		FED. ROAD DIST. NO. [ILLINOIS] FED. AID PROJECT				
		DATE -	REVISED -							