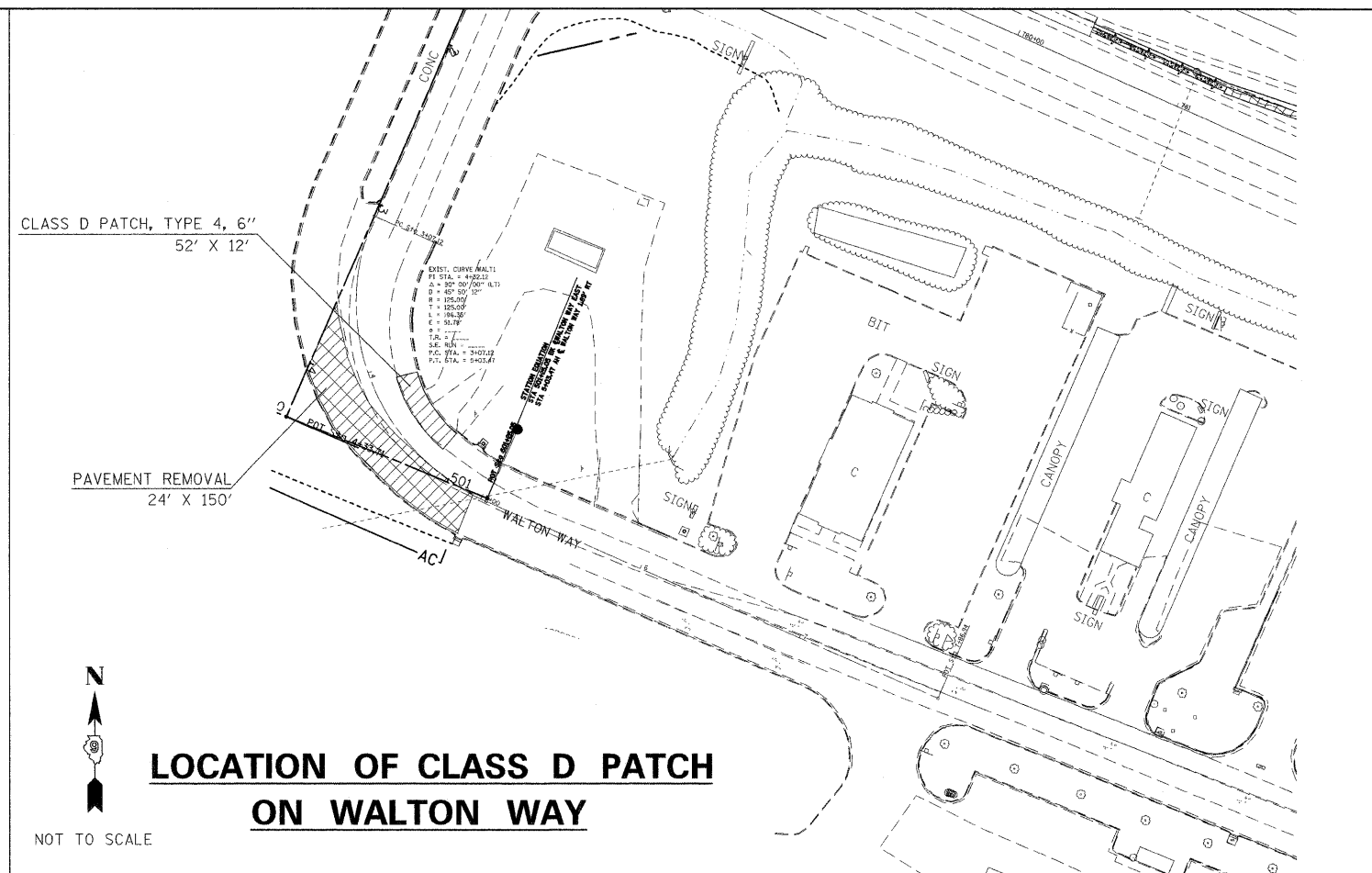
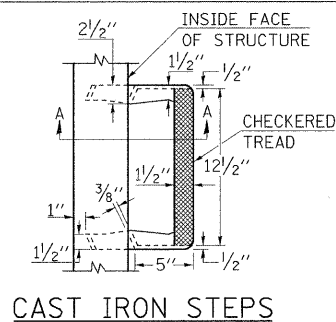


SEE CROSS-SECTIONS AND PLAN SHEETS FOR GUTTER FLAG WIDTH AND LOCATION
ALSO SEE STANDARD 606301-03

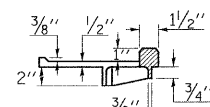
CONCRETE MEDIAN, TYPE SM-4.24 (SPECIAL)



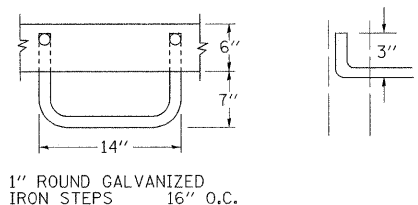
LOCATION OF CLASS D PATCH ON WALTON WAY



CAST IRON STEPS



SEC. A-A

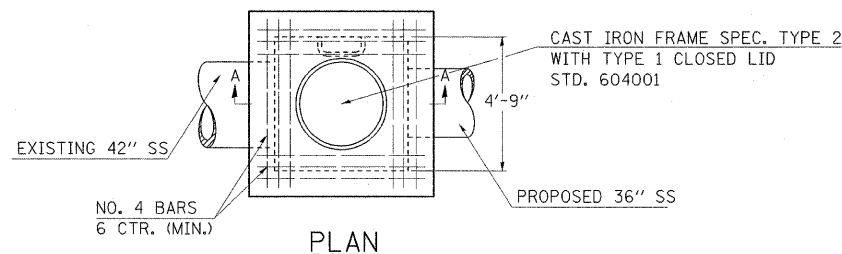


1" ROUND GALVANIZED IRON STEPS 16" O.C.

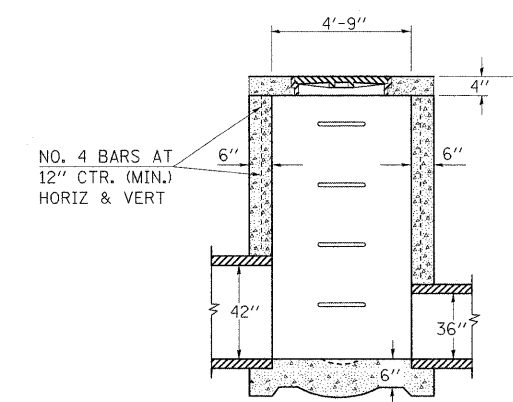
GALVANIZED IRON STEPS

CAST IRON STEPS SHALL BE GRAY IRON CONFORMING TO THE REQUIREMENTS OF ARTICLE 1006.14 OF THE STANDARD SPECIFICATIONS.

MANHOLES, SPECIAL, TYPE 3



PLAN



SECTION A-A

NOTES

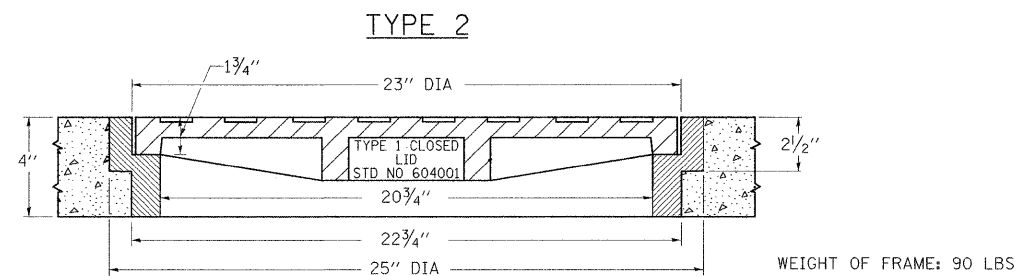
CLASS SI CONCRETE TO BE USED THROUGHOUT.

STEPS WILL BE REQUIRED WHEN INLET IS OVER 4' DEEP.

MANHOLES MAY BE PRECAST WHEN APPROVED BY THE ENGINEER.

MANHOLE TO BE PAID FOR AT THE CONTRACT UNIT PRICE EACH FOR MANHOLES, SPECIAL, TYPE 3 WHICH PRICE SHALL INCLUDE THE COST OF THE CAST IRON FRAME, SPECIAL, TYPE 2 WITH TYPE 1 CLOSED LID; REINFORCEMENT BARS AND CAST IRON OR GALVANIZED STEEL STEPS.

DETAILS OF CAST IRON FRAME SPECIAL TYPE 2 WITH TYPE 1 CLOSED LID



THE FRAMES MAY BE MADE OF EITHER GRAY IRON CONFORMING TO THE STANDARD SPECIFICATIONS OR DUCTILE IRON CONFORMING TO THE SPECIFICATIONS FOR DUCTILE IRON CASTING, A.S.T.M. DESIGNATION: A536, GRADE 60-45-10.

REVISIONS	
REDRAWN	2-15-89
REVISED	8-15-94
REVISED	12-14-01
REVISED	3-26-08

STD. 9-5

STATE OF ILLINOIS
DEPARTMENT OF TRANSPORTATION

DETAIL : CONCRETE MEDIAN TYPE SM-4.24(SPECIAL);
MANHOLE SPECIAL TYPE 3; CAST IRON FRAME SPECIAL
TYPE 2 WITH CLOSED LID; WALTON WAY CLASS D PATCHES

REVISIONS		REVISIONS	
REDRAWN	2-15-89	REDRAWN	2-15-89
REVISED	12-14-01	REVISED	12-14-01
REVISED	3-26-08	REVISED	3-26-08

FILE NAME =	USER NAME = russellcf	DESIGNED -	REVISED -	SCALE:	SHEET NO. OF SHEETS	STA. TO STA.	F.A.P. RTE.	SECTION	COUNTY	TOTAL SHEETS	SHEET NO.
ci:\pw\work\p\idot\russellcf\dms43738\d9.78053.sht_details.dgn		DRAWN -	REVISED -	331	SEC. NO. (IX-1)N-1, TS-2		WILLIAMSON	190	104	CONTRACT NO. 78053	
PLOT SCALE = 50.00' / IN.		CHECKED -	REVISED -	ILLINOIS FED. AID PROJECT							
PLOT DATE = 5/28/2009		DATE -	REVISED -								