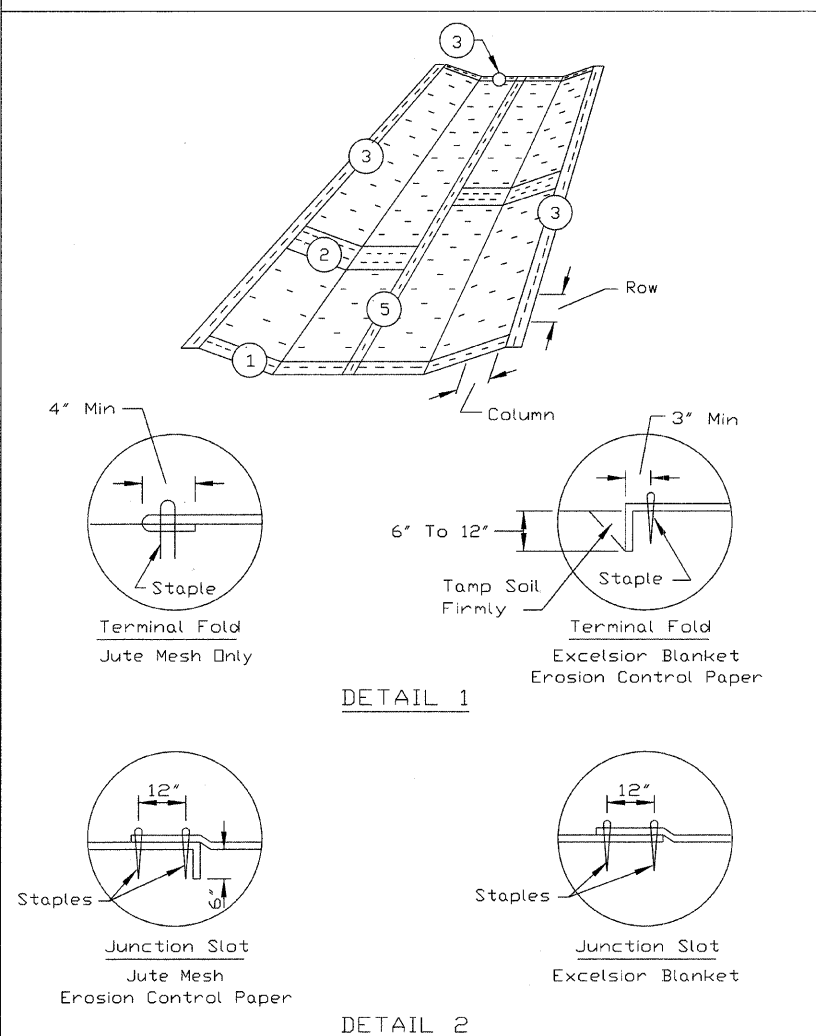


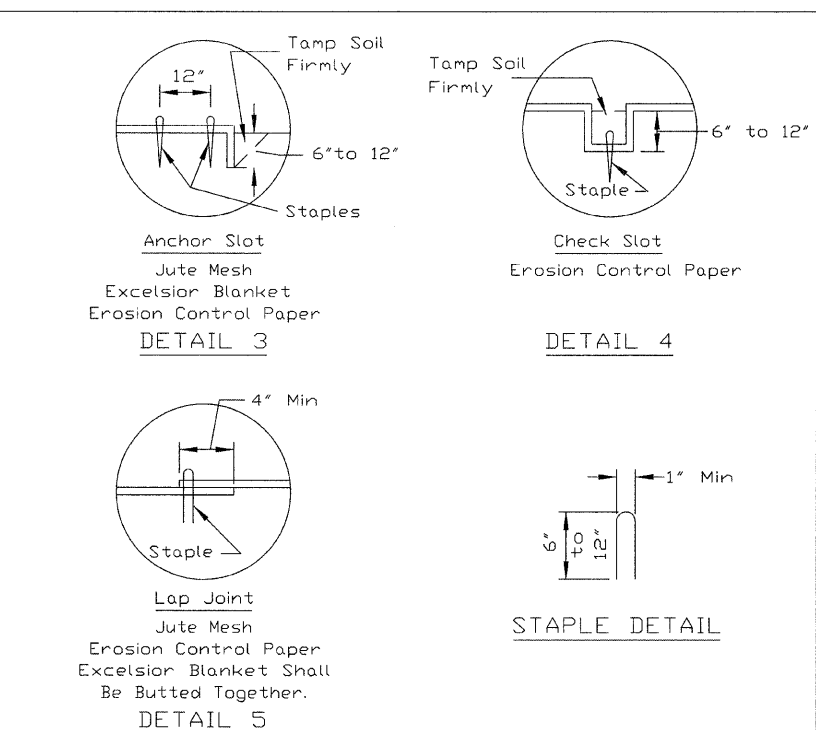
CONTRACT NO. 83827				
F.A.U. RTE.	SECTION	COUNTY	TOTAL SHEETS	SHEET NO.
3570	00-0016-00-BR	DUPAGE	106	18
STA.		TO STA.		
FED. ROAD DIST. NO. 1		ILLINOIS FED. AID PROJECT		

EROSION BLANKET PLAN



REFERENCE Project _____	<p>NRCS Natural Resources Conservation Service</p>	STANDARD DWG. NO. IL-530
Designed _____ Date _____		SEET 1 OF 2
Checked _____ Date _____		DATE 5-24-94
Approved _____ Date _____		

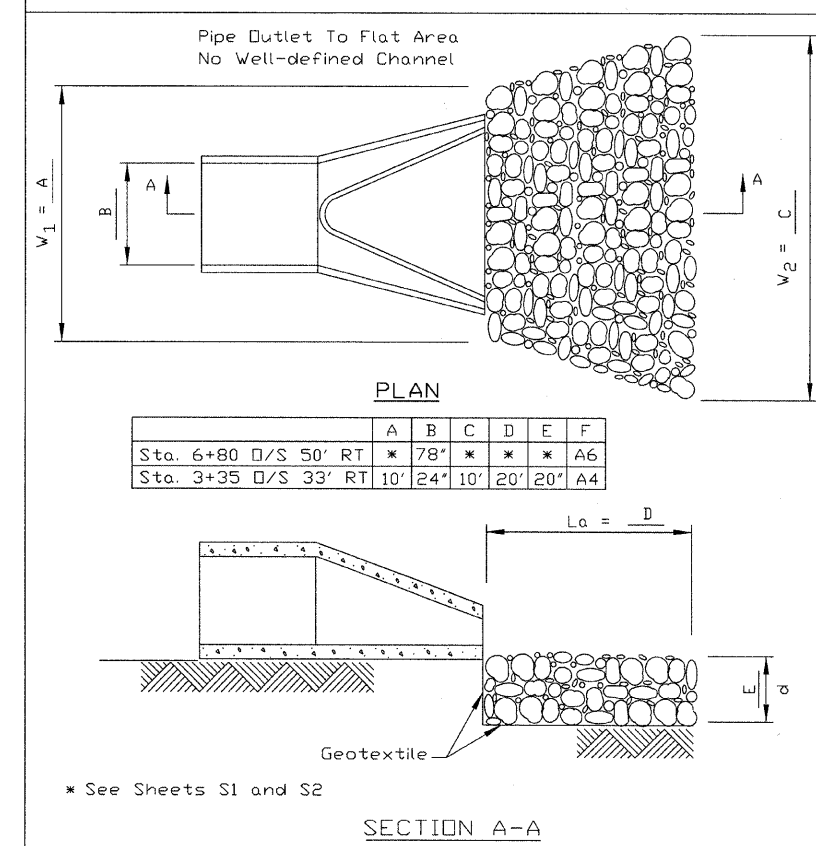
EROSION BLANKET PLAN



- NOTES:
- On erosion control paper, check slots, in ditch channel shall be spaced so that one occurs within each 50' on slopes of more than 4% and less than 6%. On slopes of 6% or more, they shall be spaced so that one occurs within each 25'.
 - Staples are to be placed alternately, in columns approximately 2' apart and in rows approximately 3' apart. Approximately 175 staples are required per 4' x 225' roll of material and 125 staples are required per 4' x 150' roll of material.
 - Erosion control material shall be placed loosely over ground surface. Do not stretch.
 - All terminal ends and transverse laps shall be stapled at approximately 12" intervals.

REFERENCE Project _____	<p>NRCS Natural Resources Conservation Service</p>	STANDARD DWG. NO. IL-530
Designed _____ Date _____		SHEET 2 OF 2
Checked _____ Date _____		DATE 3-1-95
Approved _____ Date _____		

PIPE OUTLET TO FLAT AREA



- NOTES:
- The filter fabric shall meet the requirements in material specifications 592 GEOTEXTILE Table 1 or 2, class I, II or III.
 - The rock riprap shall meet the IDOT requirements for the following gradation: RR _____, Quality _____.
 - The riprap shall be placed according to ~~construction specification 61 LOOSE ROCK RIPRAP~~ IDOT Standard Specifications for Road and Bridge Construction. The rock may be equipment placed.

REFERENCE Project _____	<p>NRCS Natural Resources Conservation Service</p>	STANDARD DWG. NO. IL-610
Designed _____ Date _____		SHEET 1 OF 1
Checked _____ Date _____		DATE 9-15-93
Approved _____ Date _____		

W:\068-030 & 068-032 Jefferson Revisions 09\CADD Sheets\Erosion Control DETAILS-2.dgn 7/15/2009 11:31:52 AM

REVISIONS	
NAME	DATE

ILLINOIS DEPARTMENT OF TRANSPORTATION

JEFFERSON AVE. OVER WEST BRANCH DUPAGE RIVER EROSION AND SEDIMENT CONTROL DETAILS

SCALE: _____ DRAWN BY JSS
DATE: APRIL 6, 2009 CHECKED BY JP