

ROUTE NO.	SECTION	COUNTY	SHEET NO.	SHEET NO.
*	DUPAGE		106	34
FED. ROAD DIST. NO. 7	ILLINOIS	FED. AID PROJECT-		

00-00116-00-BR

NOTES

See Sheet S12 of S34 for notes and details not shown.

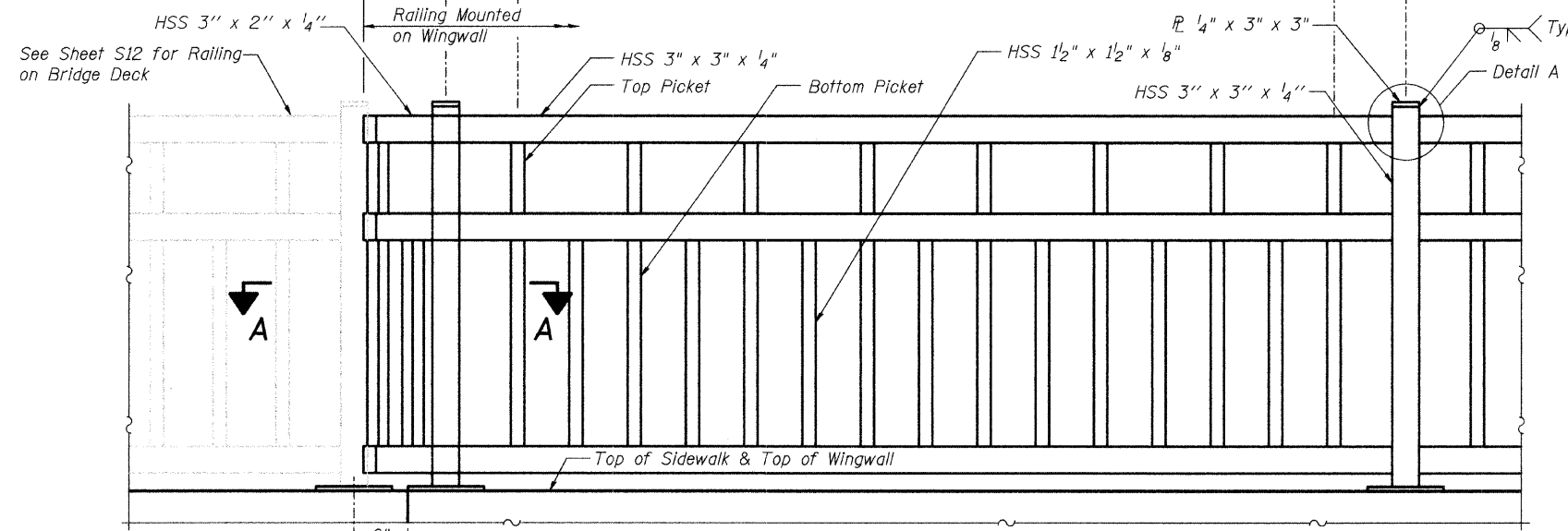
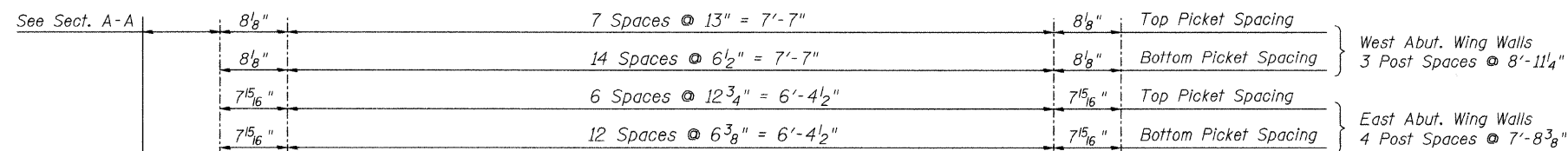
The Parapet Railing located within the limits of the bridge approach pavement, furnished and installed, shall not be paid for separately, but shall be included in the unit bid price for "Pedestrian Rail (Special)" mounted on the wingwalls.

The Parapet Railing located beyond the limits of the bridge approach pavement, furnished and installed, is paid for as Parapet Railing, Special. See Sheet S30.

BILL OF MATERIAL

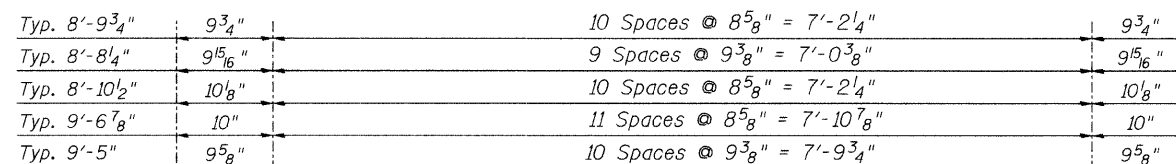
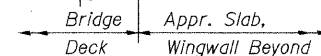
Item	Unit	Quantity
Parapet Railing, Special	Foot	85

(Quantity is for Parapet Railing located on the Off-Bridge Pedestrian Screens.)

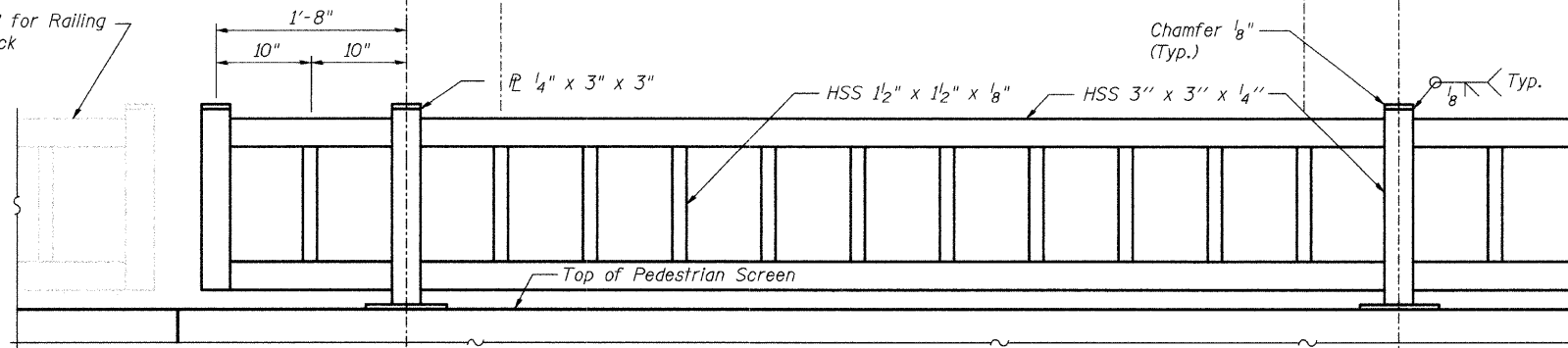


WING WALL PEDESTRIAN RAILING

(8'-11 1/4" Panel Shown)

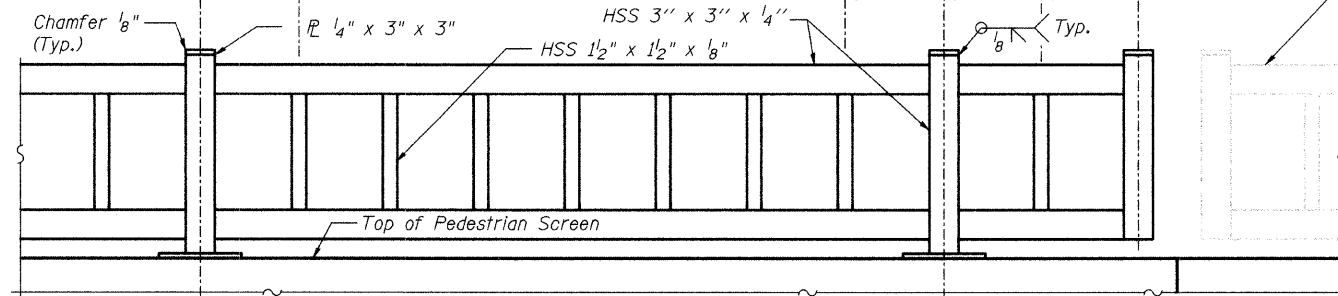
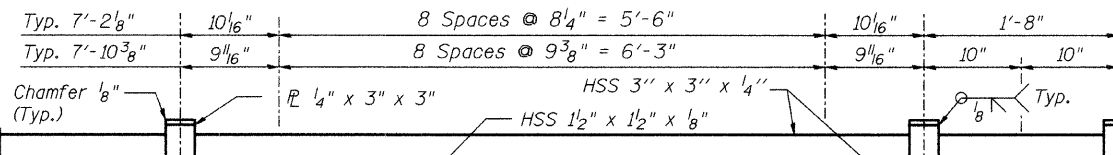
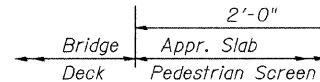


See Sheet S8 for Railing on Bridge Deck



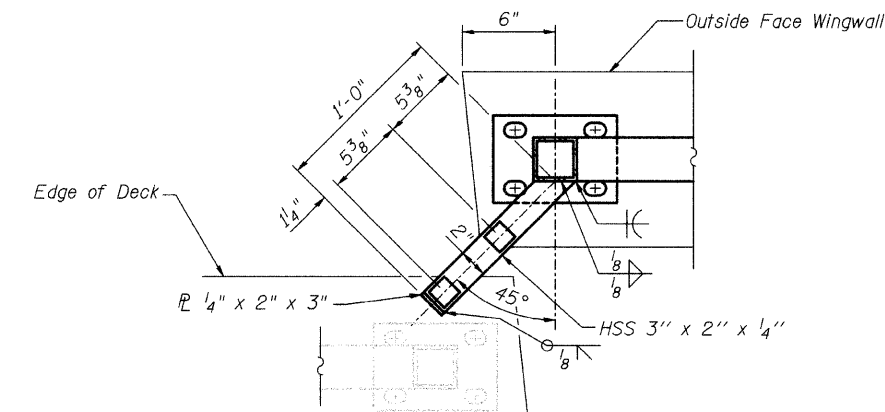
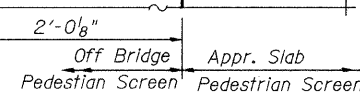
PEDESTRIAN SCREEN RAILING ON APPROACH SLAB

(8'-8 1/4" Panel Shown)



PEDESTRIAN SCREEN RAILING OFF BRIDGE

(7'-2 1/8" Panel Shown)



SECTION A-A

DESIGNED	SRT
CHECKED	JJI
DRAWN	GM
CHECKED	JJI

B Bollinger, Lach & Associates, Inc.

OFF-BRIDGE RAILING DETAILS

JEFFERSON AVENUE OVER
WEST BRANCH DUPAGE RIVER
FAU 3570 SECTION 00-00116-00-BR
DUPAGE COUNTY
STA. 7+64.45
STRUCTURE NUMBER 022-6756