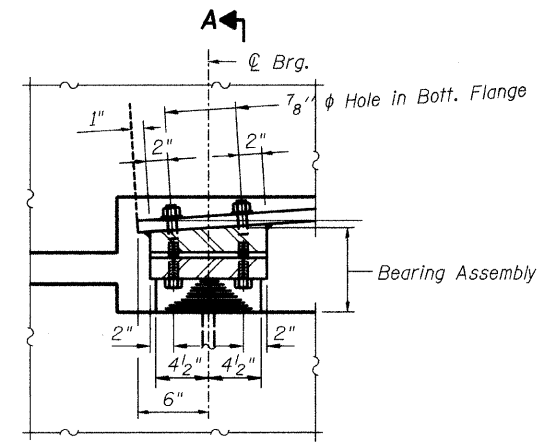
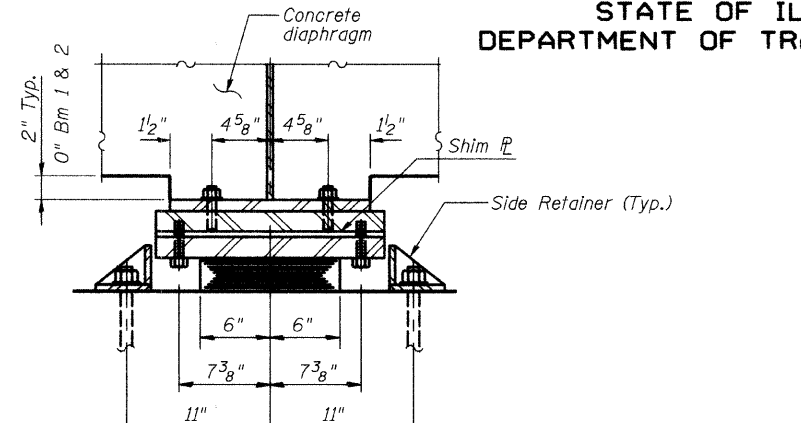


STATE OF ILLINOIS
DEPARTMENT OF TRANSPORTATION



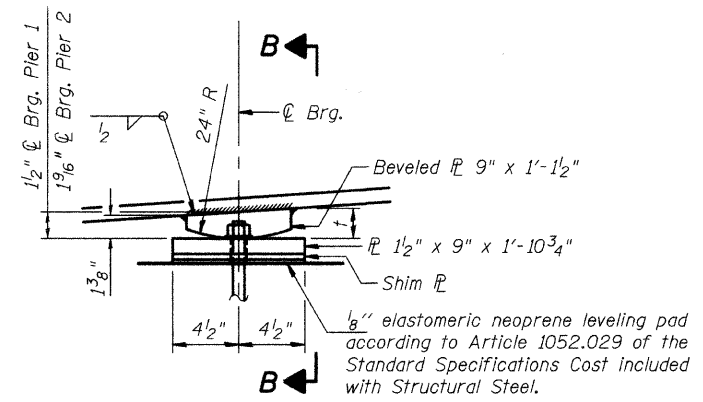
ELEVATION AT ABUT.
(West Abut. Shown)



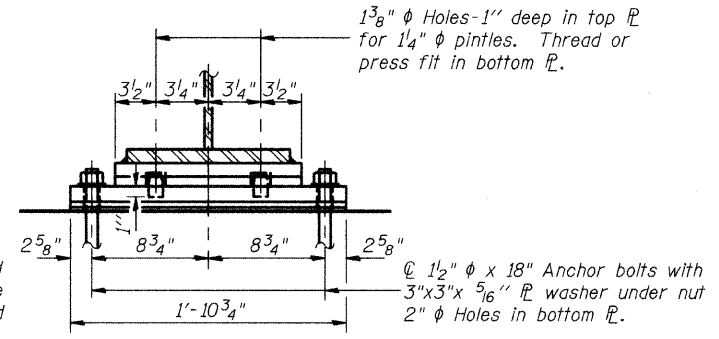
SECTION A-A
* $\phi 3/4$ " ϕ H.S. Bolts w/ lock washers (Typ. ea. side) (Coat bolts with anti-sieze compound)
 $\phi 1$ " ϕ x 12" Anchor bolts with $2 1/4$ " x $2 1/4$ " x $5/16$ " PL washer under nut

TYPE I ELASTOMERIC EXP. BRG. AT ABUTMENTS

* Girders 2, 5 and 9 require Shim Plates. Adjust lengths of bolts accordingly.

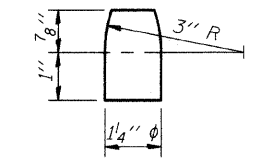


ELEVATION AT PIER



SECTION B-B

FIXED BEARING (AASHTO M270 Gr50W) (18 Req'd)



PINTLE

Notes:
Anchor bolts shall be ASTM F1554 all-thread (or an Engineer-approved alternate material) of the grade(s) and diameter(s) specified. ASTM A307 Grade C anchor bolts may be used in lieu of ASTM F1554 Grade 36 (Fy=36ksi). The corresponding specified grade of AASHTO M314 anchor bolts may be used in lieu of ASTM F1554.

Anchor bolts at fixed bearings may be either cast in place or installed in holes drilled after the supported member is in place.

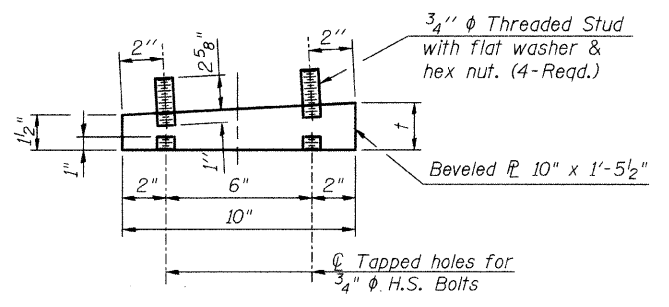
Anchor bolts for side retainers may be cast in place or installed in holes drilled before or after members are in place.

Drilled and set anchor bolts shall be installed according to Article 521.06 of the Standard Specifications.

Side retainers and other steel members required for the bearing assembly shall be included in the cost of Elastomeric Bearing Assembly, Type I.

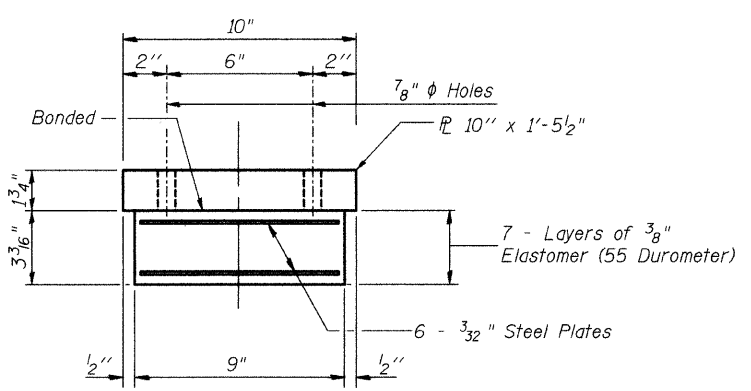
Two 1/8" adjusting shims shall be provided for each bearing in addition to all other plates or shims and placed as shown on bearing details.

The structural steel plates of the Bearing Assembly shall conform to the requirements of AASHTO M 270 Grade 50W.



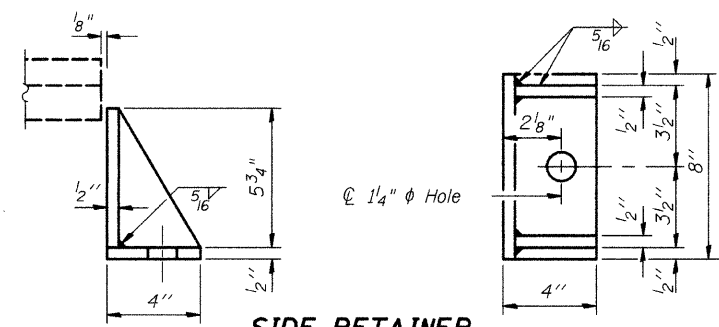
TOP BEARING PLATE

Weight included with Structural Steel



BEARING ASSEMBLY

Note: Shim plates shall not be placed under Bearing Assembly.



SIDE RETAINER

Equivalent rolled angle with stiffeners will be allowed in lieu of welded plates.

REQUIRED SHIM PLATE THICKNESS

Location	Girder								
	1	2	3	4	5	6	7	8	9
West Abutment	-	3/16"	-	-	-	-	-	-	3/16"
East Abutment	-	1/4"	-	-	5/8"	-	-	-	5/16"
Pier 1	-	3/16"	-	-	-	-	-	-	3/16"
Pier 2	-	1/4"	-	-	-	-	-	-	1/4"

Weight included with Structural Steel

Bearing Location	t	PL SLOPE
W. Abutment	1 3/4"	2.48%
Pier 1	1 5/8"	2.48%
Pier 2	1 1/6"	3.53%
E. Abutment	1 7/8"	3.53%

ANCHOR BOLTS

Location	Type *
W. Abut.	18-1" ϕ x 12"
Pier 1	18-1 1/2" ϕ x 18"
Pier 2	18-1 1/2" ϕ x 18"
E. Abut.	18-1" ϕ x 12"

* ASTM A307

BILL OF MATERIAL

Item	Unit	Total
Elastomeric Bearing Assembly Type I	Each	18
Anchor Bolts, 1" ϕ	Each	36
Anchor Bolts, 1 1/2" ϕ	Each	36

ABUTMENT AND PIER BEARINGS

JEFFERSON AVENUE OVER
WEST BRANCH DUPAGE RIVER
FAU 3570 SECTION 00-00116-00-BR
DUPAGE COUNTY
STA. 7+64.45
STRUCTURE NUMBER 022-6756

DESIGNED	SRT
CHECKED	JJI
DRAWN	GM
CHECKED	JJI