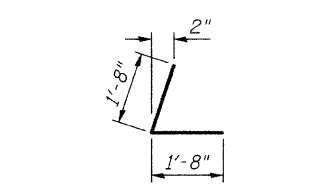
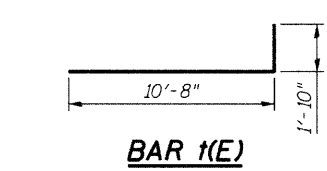
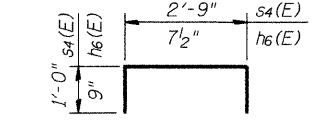
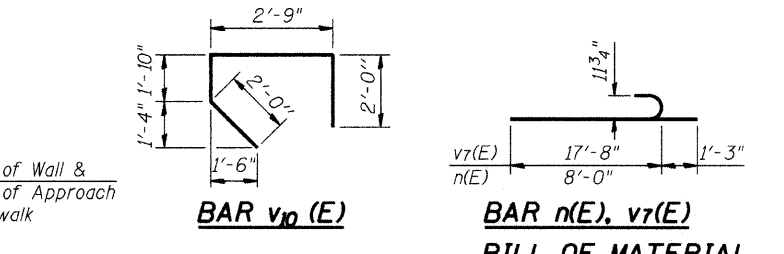
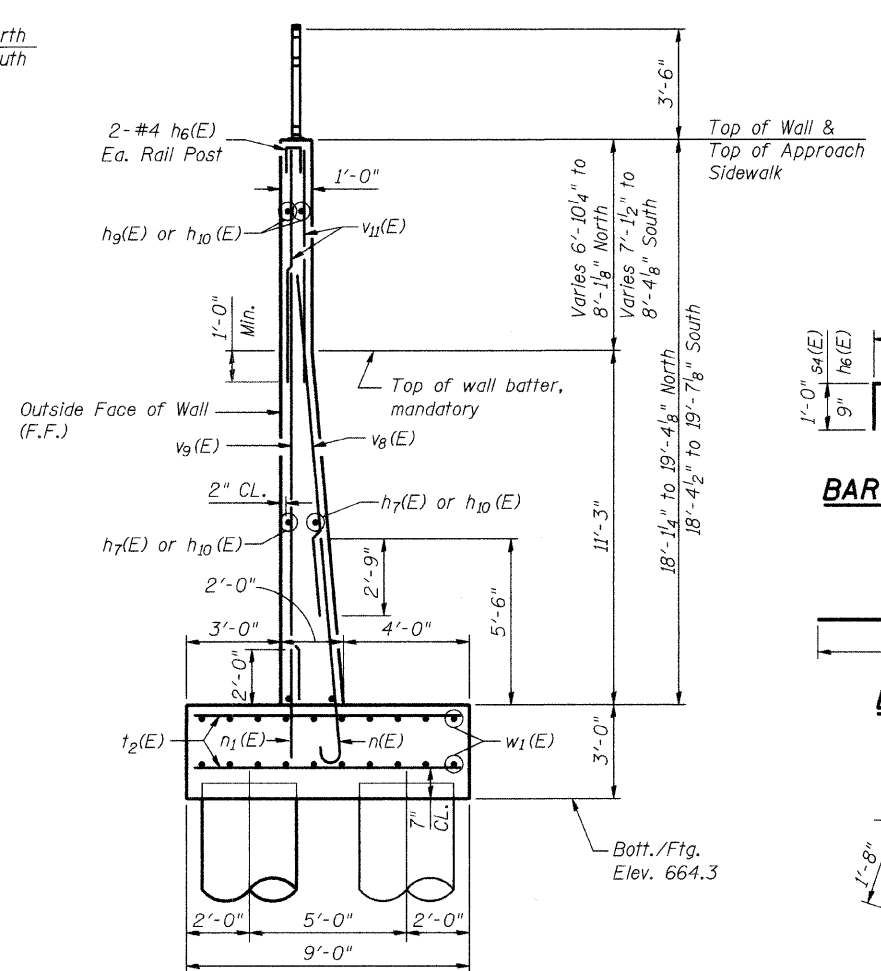
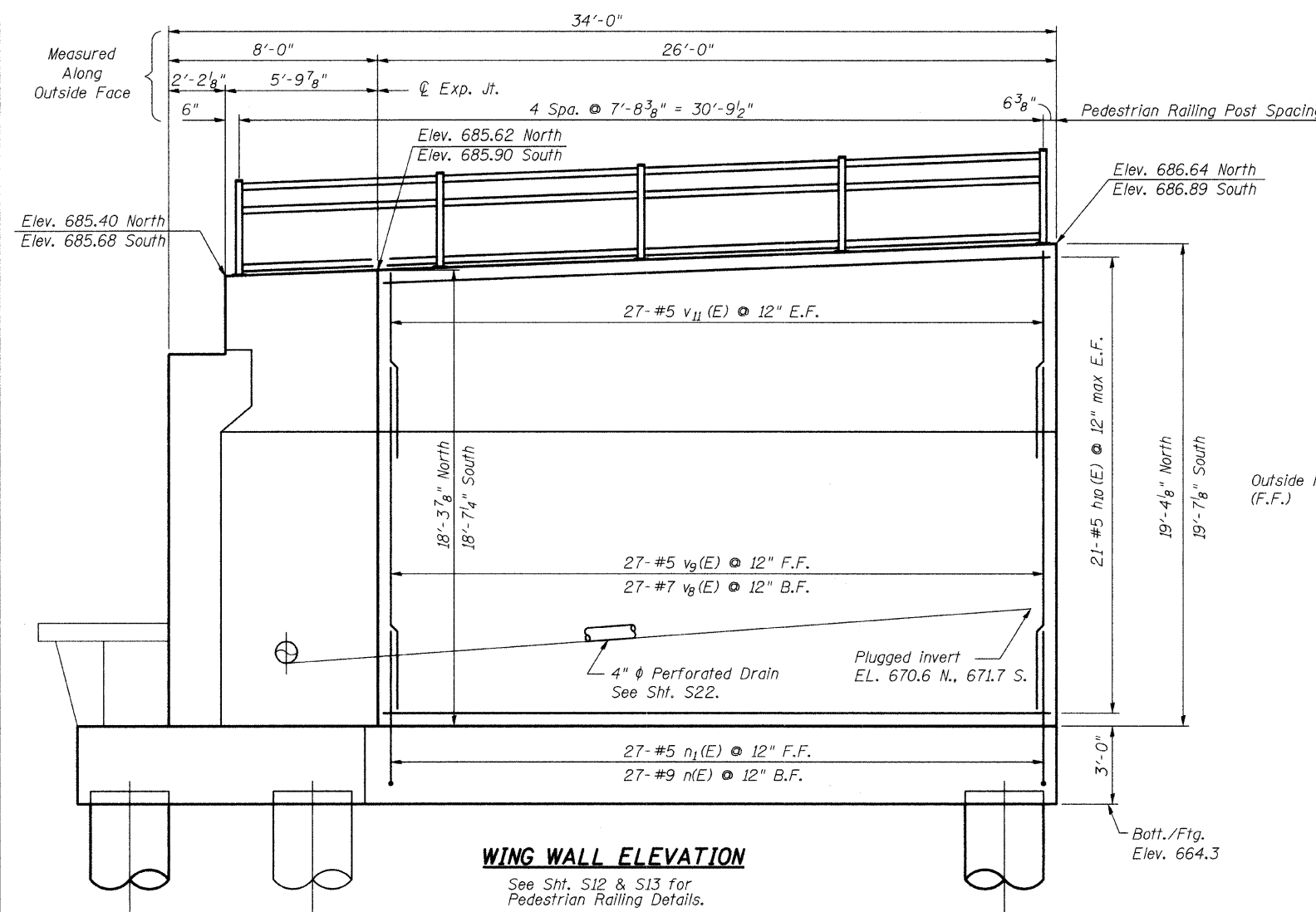


ROUTE NO.	SECTION	COUNTY	TOTAL SHEETS	SHEET NO.
*		DUPAGE	106	42
FED. ROAD DIST. NO. 7	ILLINOIS	FED. AID PROJECT		

* 00-00116-00-BR

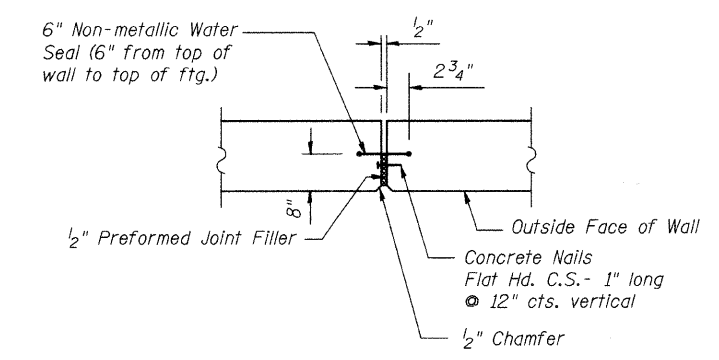
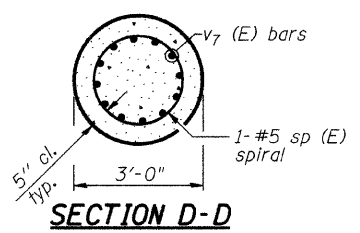
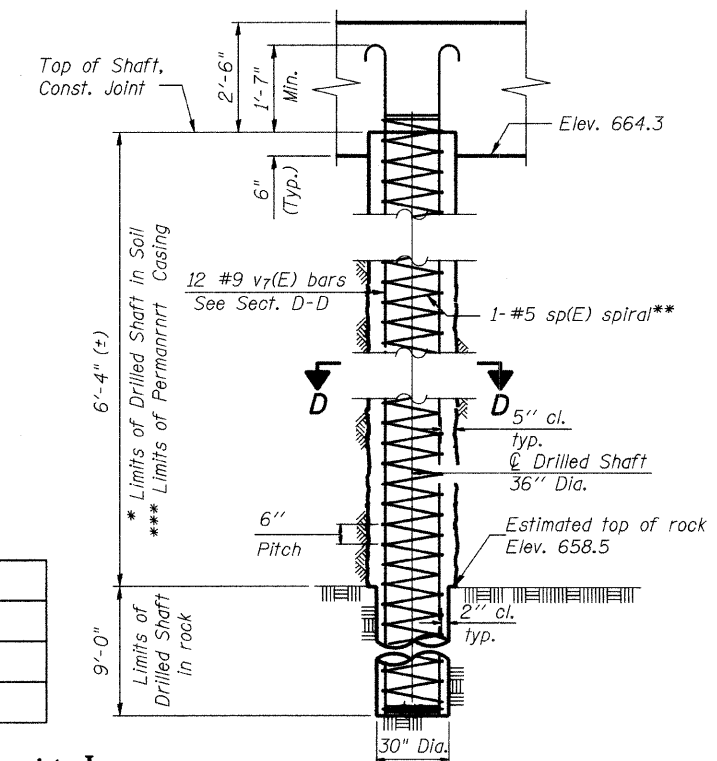


BILL OF MATERIAL

Bar	No.	Size	Length	Shape
h ₂ (E)	66	#5	28'-6"	—
h ₃ (E)	5	#5	11'-9"	—
h ₄ (E)	30	#5	3'-4"	L
h ₅ (E)	30	#5	3'-4"	J
h ₆ (E)	20	#4	2'-2"	—
h ₇ (E)	60	#5	7'-8"	—
h ₈ (E)	16	#5	5'-6"	—
h ₁₀ (E)	84	#5	25'-8"	—
n(E)	120	#9	9'-3"	—
n ₁ (E)	128	#5	4'-6"	—
n ₂ (E)	116	#5	2'-4"	—
s ₄ (E)	13	#5	4'-9"	—
sp(E)	25	#5	15'-10"	—
t ₁ (E)	62	#10	12'-6"	—
t ₂ (E)	116	#7	8'-8"	—
v ₇ (E)	300	#9	18'-11"	—
v ₈ (E)	120	#7	11'-5"	—
v ₉ (E)	128	#5	14'-1"	—
v ₁₀ (E)	56	#5	8'-7"	—
v ₁₁ (E)	136	#5	9'-3"	—
w(E)	48	#6	31'-8"	—
w ₁ (E)	40	#6	29'-0"	—

Concrete Structures	Cu. Yd.	252.2
Reinforcement Bars, Epoxy Coated	Pound	52,400
Structure Excavation	Cu. Yd.	987
Underwater Structure Excavation Protection, Location 4	Each	1
Drilled Shaft in Soil	Cu. Yd.	41.9
Drilled Shaft in Rock	Cu. Yd.	40.9
Bar Splicers	Each	34
Permanent Casing	Foot	160
Pedestrian Railing	Foot	62
Pipe Drains 4"	Foot	10
Geocomposite Wall Drain	Sq. Yd.	162
Concrete Headwall for Pipe Drains	Each	1
Porous Granular Embankment (Special)	Cu. Yd.	440

Reinforcement Bars designated (E) shall be epoxy coated.



Notes: * The quantities and detailing are based on the estimated elevations shown on the plans. The actual elevations may differ at each shaft and corresponding adjustments shall be made to the drilled shaft and reinforcement quantities and payment limits.

** Provide 1/2 extra turns top and bottom of each drilled shaft. Extend spiral 2" above top of shaft. Provide min. 4-#4 spacers or equivalent. Minimum lap for spirals = 1 1/2 turns. Length is height of spiral.

*** Contractor is responsible for determining the casing thickness and the actual tip elevation to be used.

Pay limits for the Permanent Casing are based on the minimum length shown.

DESIGNED	JJI
CHECKED	SRT
DRAWN	GM
CHECKED	SRT

Bollinger, Lach & Associates, Inc.

EAST ABUTMENT DETAILS
JEFFERSON AVENUE OVER WEST BRANCH DUPAGE RIVER
FAU 3570 SECTION 00-00116-00-BR
DUPAGE COUNTY
STA. 7+64.45
STRUCTURE NUMBER 022-6756