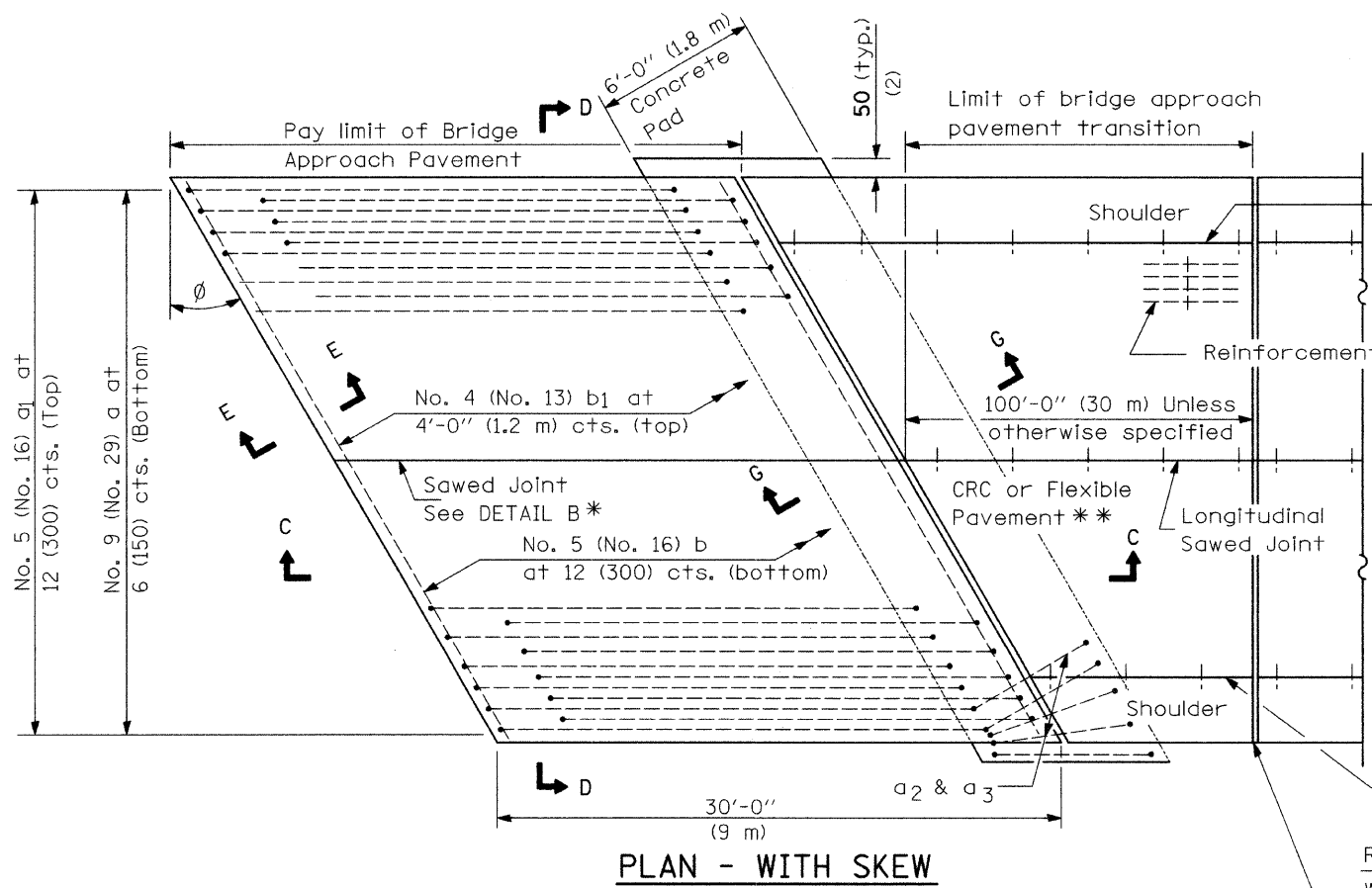
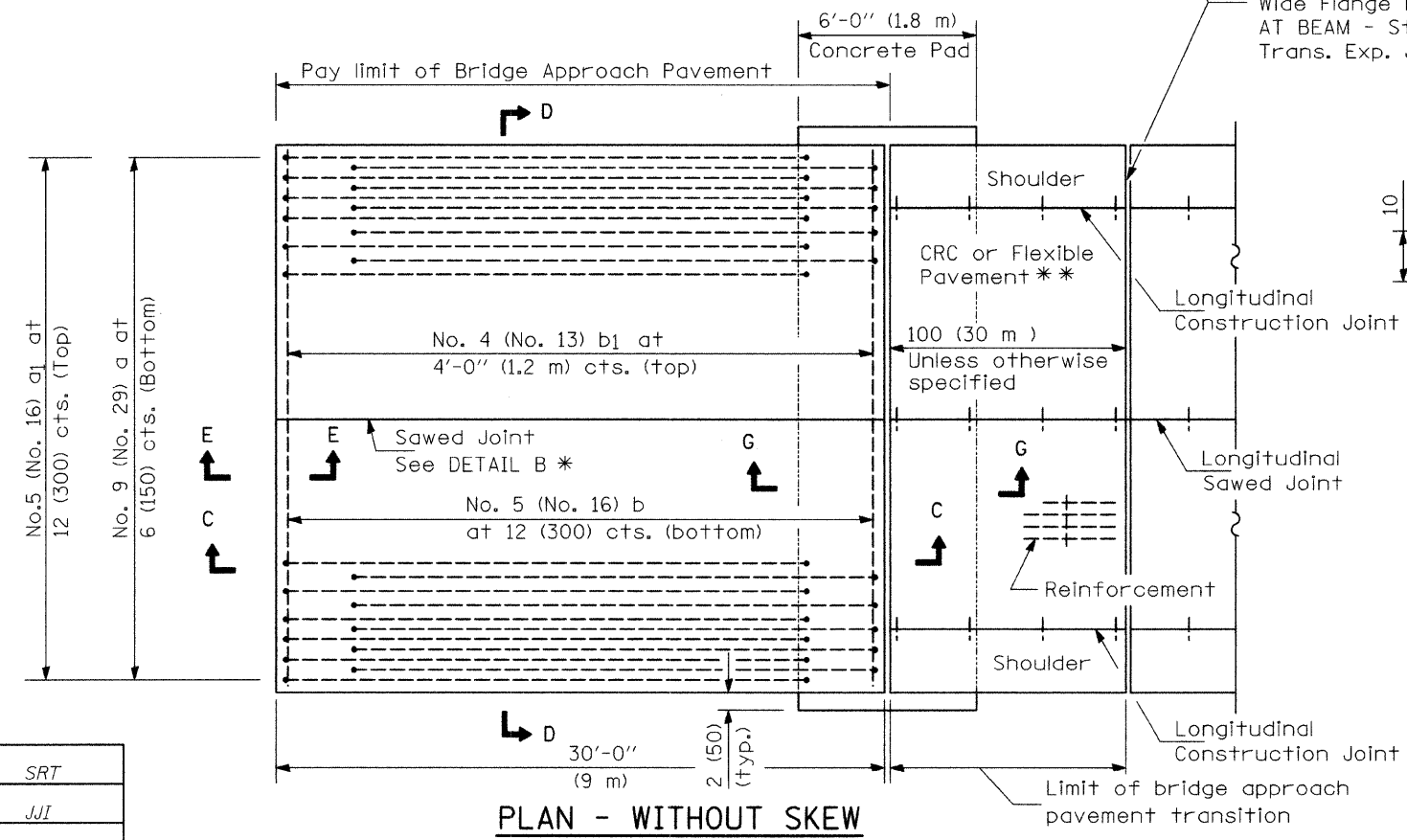


NEW CONSTRUCTION



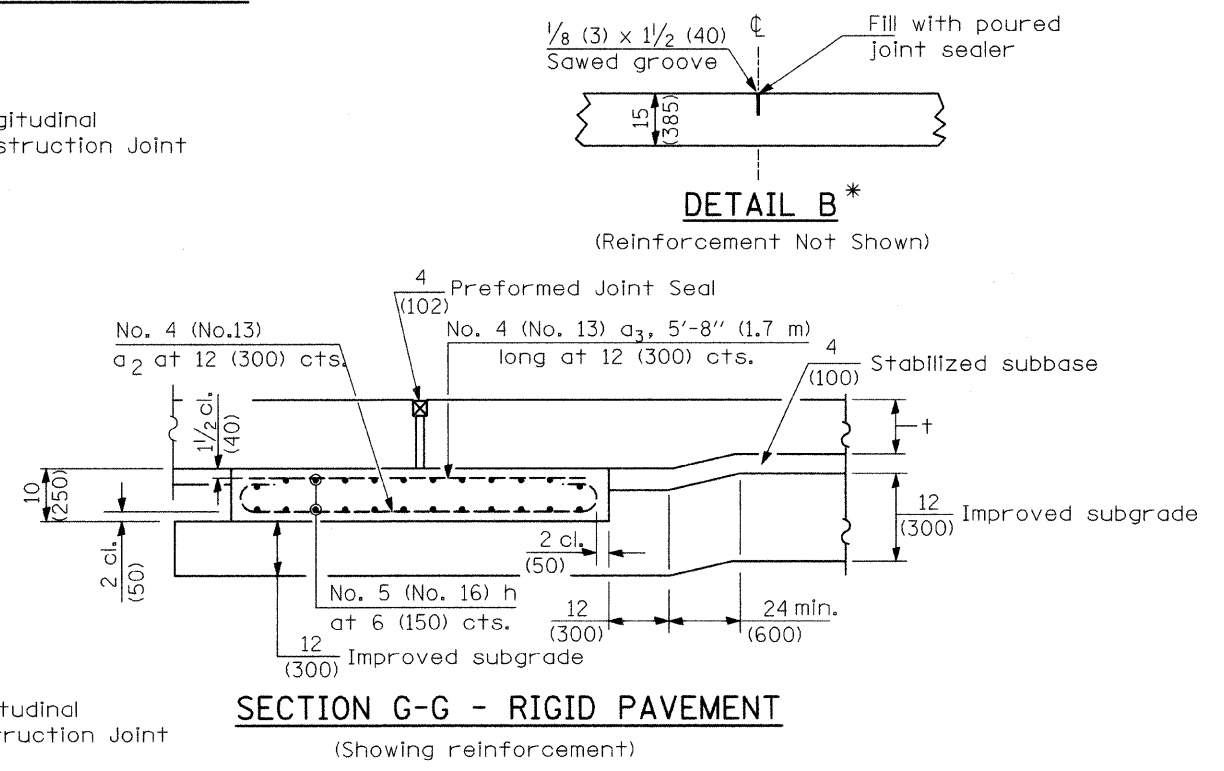
PLAN - WITH SKEW



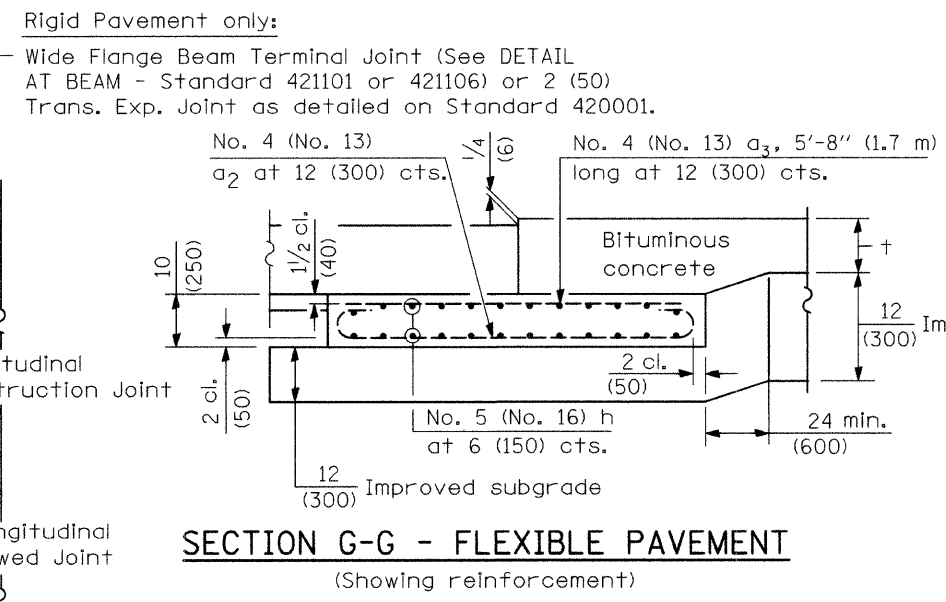
PLAN - WITHOUT SKEW

DESIGNED	SRT
CHECKED	JJI
DRAWN	GM
CHECKED	JJI

* Saw ϕ or lane edge if poured two or more lane widths at a time.
** Omit Reinforcement, tie bars and Long. sawed Jt. for Flexible Pavement.



SECTION G-G - RIGID PAVEMENT
(Showing reinforcement)



SECTION G-G - FLEXIBLE PAVEMENT
(Showing reinforcement)

GENERAL NOTES

THICKNESS-"t"=Thickness of Pavement.
All items necessary to construct Bridge Approach Pavement shown on Sheets S33 & S34 shall be included in the pay item "Bridge Approach Pavement (Special)".
See Standard 420001 for joint details not shown.
All dimensions are in inches (millimeters) unless otherwise shown.

BRIDGE APPROACH PAVEMENT DETAILS

JEFFERSON AVENUE OVER WEST BRANCH DUPAGE RIVER
FAU 3570 SECTION 00-00116-00-BR
DUPAGE COUNTY
STA. 7+64.45
STRUCTURE NUMBER 022-6756