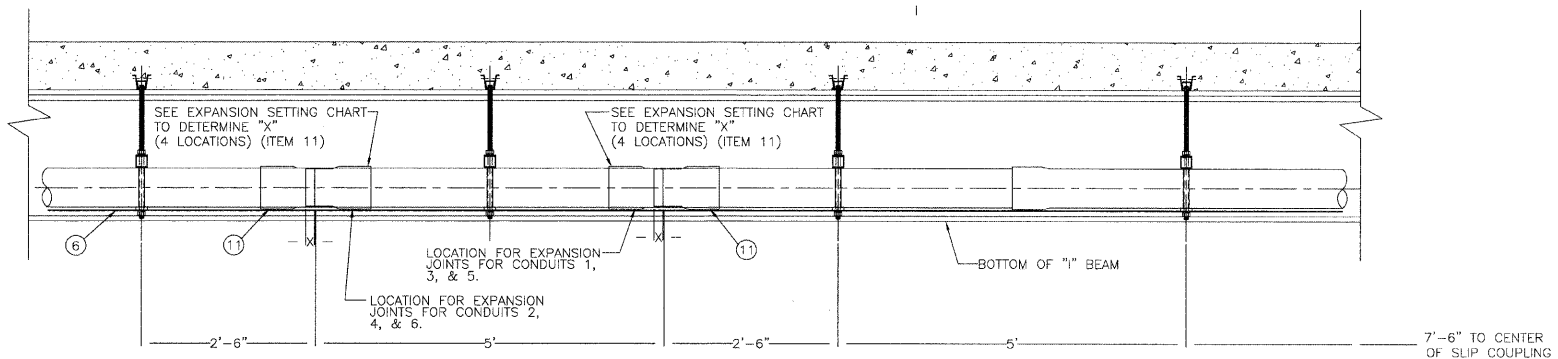
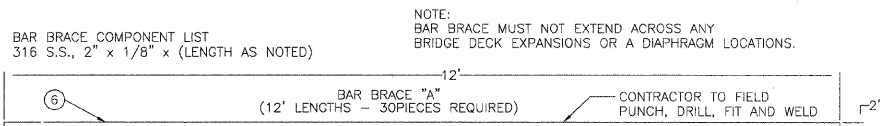
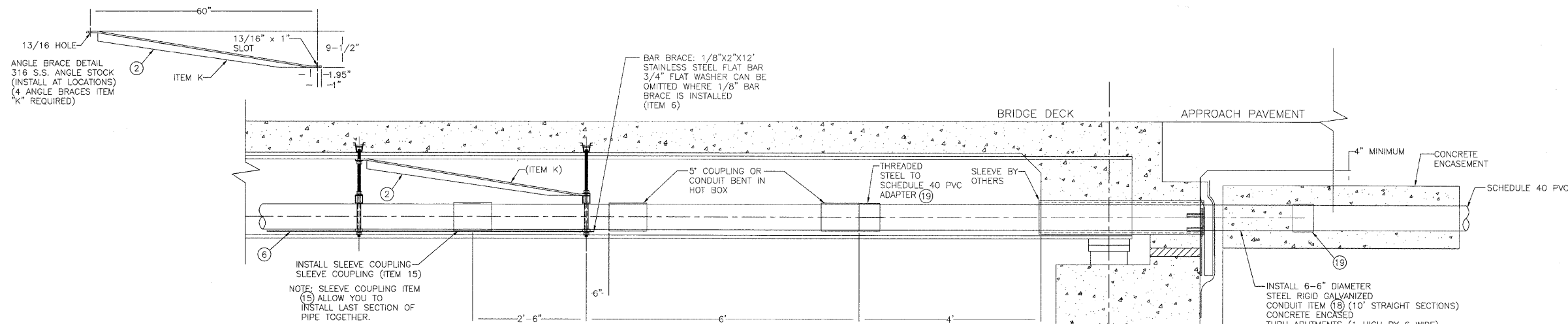
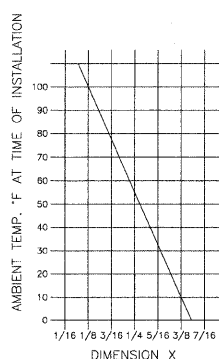


UNDER BRIDGE CONDUIT ATTACHMENT

F.A. RTE.	SECTION	COUNTY	TOTAL SHEETS	SHEET NO.
3570	00-00116-00-BR	DUPAGE	106	61
STA. 4+38.47		TO STA. 14+62.4		
FED. ROAD DIST. NO.		ILLINOIS	FED. AID PROJECT	
CONTRACT 83827				

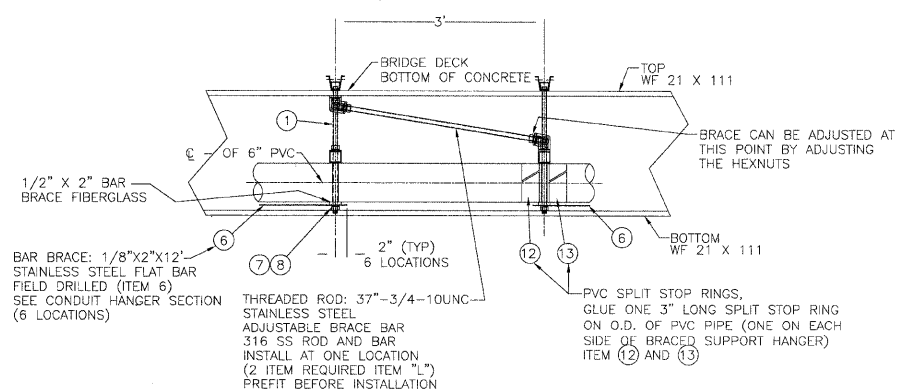


CONSTRUCTION NOTE:
CONTRACTOR TO PURCHASE AND INSTALL RIDGID CONDUIT AND ADAPTERS.
CONTRACTOR TO PURCHASE 6" DIA. GALVANIZED RIDGID CONDUIT FROM CHAMPION CHARTER SALES AND SVC N3602 NORTH US2 P.O. BOX 490 IRON MOUNTAIN MICHIGAN 49801 PHONE: 906-779-2360 FAX: 906-779-2367

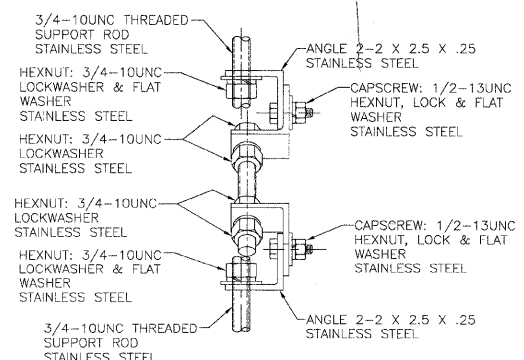


EXPANSION SETTING CHART

- 1) INSERT NIPPLE INTO BODY UNTIL IT REACHES BOTTOM, MARK NIPPLE AT END OF BODY.
- 2) PULL NIPPLE OUT OF BODY AND DETERMINE DISTANCE "X" CALCULATED FROM CHART.



SECTION AT MIDSPAN



SIDE VIEW SECTION AT MIDSPAN

CITY OF NAPERVILLE/DEPARTMENT OF PUBLIC UTILITIES - ELECTRIC			
CALL J.U.L.I.E. 48 HRS. PRIOR TO CONSTRUCTION			
PROJECT TITLE	MAP NO.	CAD FILE: .DWG	
JEFFERSON AV. BRIDGE DUCTBANK INSTALLATION		0054679001D6.DWG	
PROJECT DESCRIPTION	DRAWN BY:	PROJECT NO.:	
COORDINATED WITH BRIDGE IMPROVEMENT	PM	EU13-04-06	
DATE	WORK REQUEST NO.	CHKD:	COMPLETED BY:
4-01-09	54679		
ISSUED	APPR:	SCALE:	
ENGINEER PSM		NTS	
REVISION			
1	2	3	