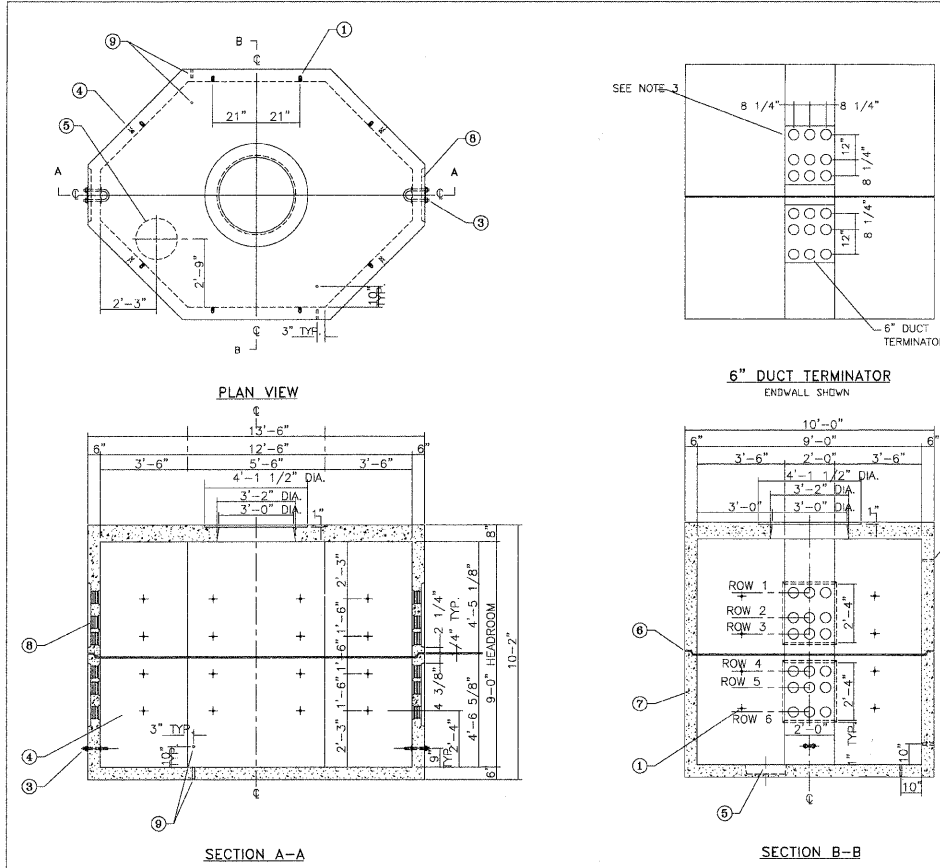


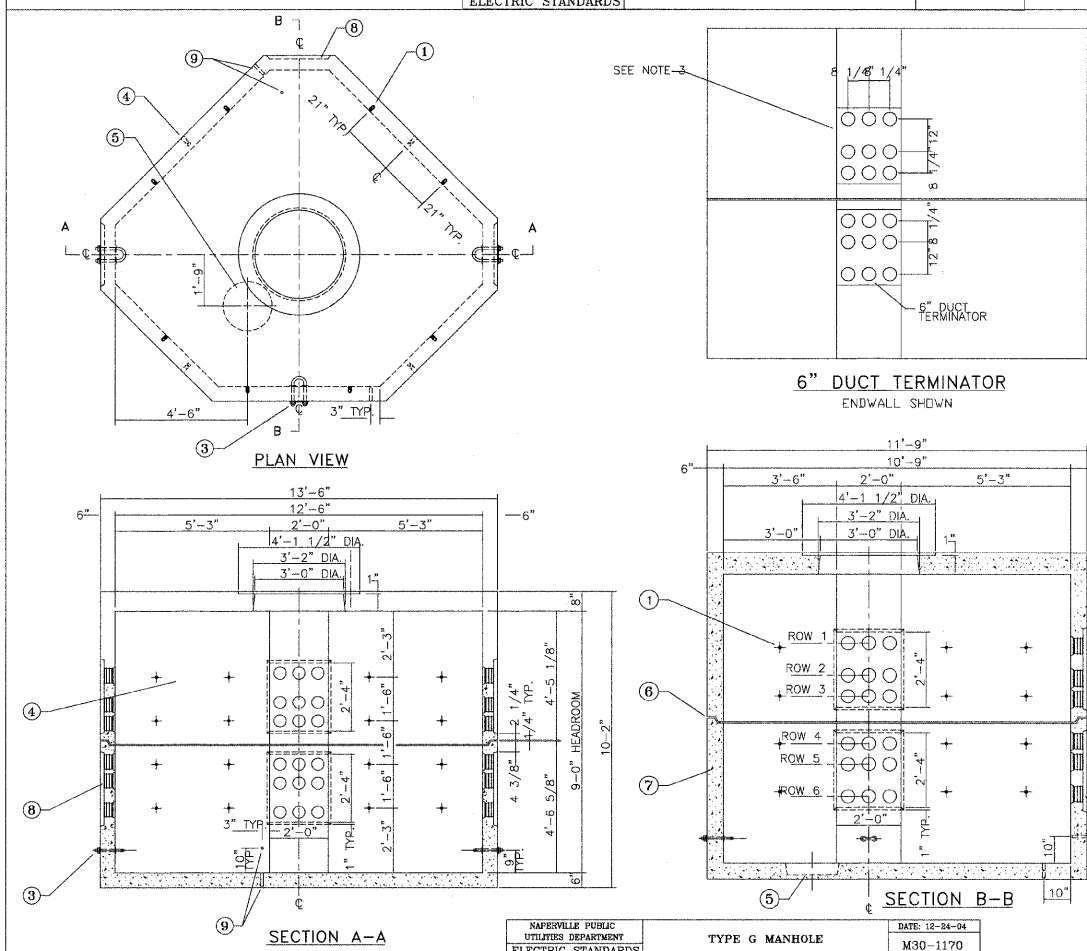
F.A. RTE.	SECTION	COUNTY	TOTAL SHEETS	SHEET NO.
3570	00-00116-00-BR	DUPAGE	106	67
STA. 4+38.47		TO STA. 14+62.4		
FED. ROAD DIST. NO.	ILLINOIS	FED. AID PROJECT		
CONTRACT 83827				



ITEM	DESCRIPTION	QTY	NOTE
	TOTAL MANHOLE WEIGHT	4500 P.S.I.	43,000 LBS.
⑦	TOP SECTION WEIGHT	CONC.	22,000 LBS.
	BASE SECTION WEIGHT		21,000 LBS.
⑦	REBAR, EPOXY COATED		2
⑨	1" x 5 1/2" GROUND WIRE HOLE, 1/2" KNOCKOUT	4	
⑧	6" DUCT TERMINATORS	36	3
⑥	1" BUTYL RUBBER JOINT SEALANT	4 ROLLS	
⑤	IBT SUMP DEPRESSION	1	
④	6" LIFTING ANCHORS	8	
③	1" S.S. PULLING IRONS	2	4
①	CABLE RACK INSERTS: 1/2" 304 STAINLESS STEEL THREADED INSERTS EACH WITH 1/2" x 2" 304 S.S. HEX HEAD BOLT, 1/2" S.S. WASHER, AND 1/2" PVC WASHER	32	

- NOTES:
- CONCRETE: 4500 psi @ 28 DAYS, 5%-8% ENTRAINED AIR, 4" MAX. SLUMP.
 - REBAR: ASTM A-615 GRD. 60, EPOXY COATED.
 - DUCT ENTRANCE: SINGLE DUCT TERMINATORS TO ACCEPT 6" DIAMETER SCH. 40 PVC CONDUIT. SEE DETAIL THIS SHEET.
 - PLEASE NOTE PULLING IRON DESIGNED AS PER A.C.I. 318 FOR WORKING LOAD CAPACITY OF 28,000 POUNDS APPLIED COINCIDENT TO THE MAJOR AXIS OF THE PULLING IRON.
 - IDENTIFICATION: IMPRESSED INTO CEILING OF VAULT.
 - DESIGN CRITERIA:
 - DESIGNED AND BUILT IN ACCORDANCE WITH ASTM C858 STANDARD SPECIFICATION FOR UNDERGROUND PRECAST CONCRETE UTILITY STRUCTURES.
 - ALL LOADING AS PER ASTM C857 "MINIMUM STRUCTURAL DESIGN LOADING FOR UNDERGROUND PRECAST CONCRETE UTILITY STRUCTURES" INCLUDING:
 - EARTH COVER: MIN. 2.0', MAX. 5.0'
 - AASHTO HS-20 WHEEL LOAD AND APPLICABLE IMPACT.
 - VERTICAL AND LATERAL SOIL PRESSURES DETERMINED USING A SOIL DENSITY OF 120 PCF.
 - GROUNDWATER AT 3'-0" BELOW GRADE.
 - STRUCTURAL DESIGN PERFORMED USING AASHTO STRENGTH DESIGN METHOD.
 - REINFORCING COVER REQUIREMENTS AS PER ACI 318.
 - SEE SPECIFICATION C30-1900 FOR ROW IDENTIFICATION WITH CONDUIT.

NAPERVILLE PUBLIC UTILITIES DEPARTMENT ELECTRIC STANDARDS	TYPE E MANHOLE	DATE: 12-24-04 M30-1160
--	----------------	----------------------------



ITEM	DESCRIPTION	QTY	NOTE
	TOTAL MANHOLE WEIGHT	4500 P.S.I.	46,000 LBS.
⑦	TOP SECTION WEIGHT	CONC.	24,000 LBS.
	BASE SECTION WEIGHT		22,000 LBS.
⑦	REBAR, EPOXY COATED		2
⑨	1" x 5 1/2" GROUND WIRE HOLE, 1/2" KNOCKOUT	4	
⑧	6" DUCT TERMINATORS	54	3
⑥	1" BUTYL RUBBER JOINT SEALANT	4 ROLLS	
⑤	IBT SUMP DEPRESSION	1	
④	6" LIFTING ANCHORS	8	
③	1" S.S. PULLING IRONS	3	4
①	CABLE RACK INSERTS: 1/2" 304 STAINLESS STEEL THREADED INSERTS EACH WITH 1/2" x 2" 304 S.S. HEX HEAD BOLT, 1/2" S.S. WASHER, AND 1/2" PVC WASHER	32	

- NOTES:
- CONCRETE: 4500 psi @ 28 DAYS, 5%-8% ENTRAINED AIR, 4" MAX. SLUMP.
 - REBAR: ASTM A-615 GRD. 60, EPOXY COATED.
 - DUCT ENTRANCE: SINGLE DUCT TERMINATORS TO ACCEPT 6" DIAMETER SCH. 40 PVC CONDUIT. SEE DETAIL THIS SHEET.
 - PLEASE NOTE PULLING IRON DESIGNED AS PER A.C.I. 318 FOR WORKING LOAD CAPACITY OF 28,000 POUNDS APPLIED COINCIDENT TO THE MAJOR AXIS OF THE PULLING IRON.
 - IDENTIFICATION: IMPRESSED INTO CEILING OF VAULT.
 - DESIGN CRITERIA:
 - DESIGNED AND BUILT IN ACCORDANCE WITH ASTM C858 STANDARD SPECIFICATION FOR UNDERGROUND PRECAST CONCRETE UTILITY STRUCTURES.
 - ALL LOADING AS PER ASTM C857 "MINIMUM STRUCTURAL DESIGN LOADING FOR UNDERGROUND PRECAST CONCRETE UTILITY STRUCTURES" INCLUDING:
 - EARTH COVER: MIN. 2.0', MAX. 5.0'
 - AASHTO HS-20 WHEEL LOAD AND APPLICABLE IMPACT.
 - VERTICAL AND LATERAL SOIL PRESSURES DETERMINED USING A SOIL DENSITY OF 120 PCF.
 - GROUNDWATER AT 3'-0" BELOW GRADE.
 - STRUCTURAL DESIGN PERFORMED USING AASHTO STRENGTH DESIGN METHOD.
 - REINFORCING COVER REQUIREMENTS AS PER ACI 318.
 - SEE SPECIFICATION C30-1900 FOR ROW IDENTIFICATION WITH CONDUIT.

NAPERVILLE PUBLIC UTILITIES DEPARTMENT ELECTRIC STANDARDS	TYPE G MANHOLE	DATE: 12-24-04 M30-1170
--	----------------	----------------------------

CITY OF NAPERVILLE/DEPARTMENT OF PUBLIC UTILITIES - ELECTRIC			
CALL J.U.I.E. 48 HRS. PRIOR TO CONSTRUCTION			
PROJECT TITLE JEFFERSON AV. BRIDGE DUCTBANK INSTALLATION	MAP NO.:	CAD FILE: 00546790001012.DWG	
PROJECT DESCRIPTION MANHOLES DETAILS	DRAWN BY: JK, PM	PROJECT NO.:	
DATE 4-01 09	WORK REQUEST NO. 54679	CHKD:	PROJECT NO.:
ISSUED	APPR:	SBC:	COMPLETED BY:
ENGINEER PSM	SCALE: NTS	SHEET 12 OF 30	
REVISION	1	2	3