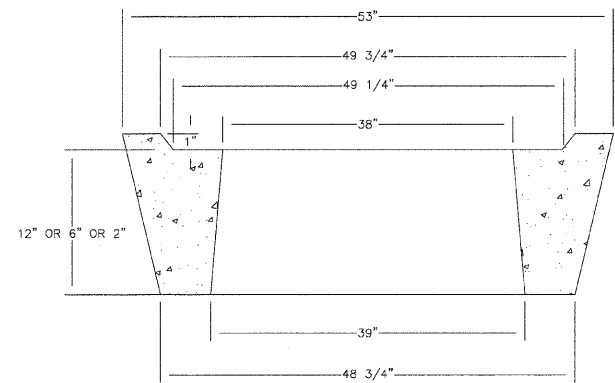
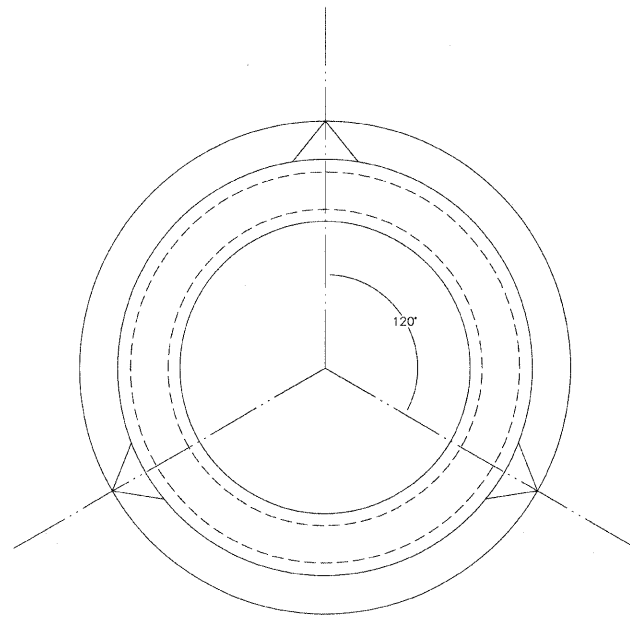
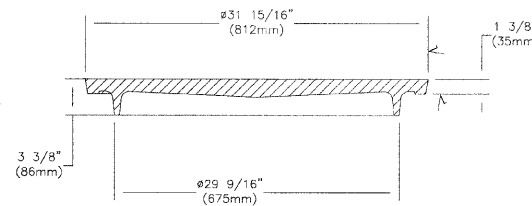
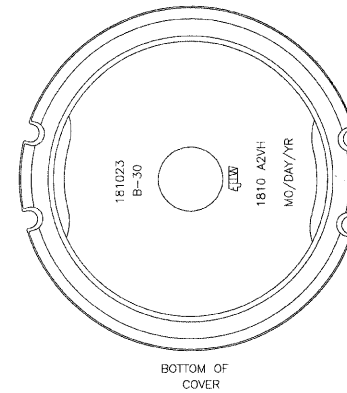
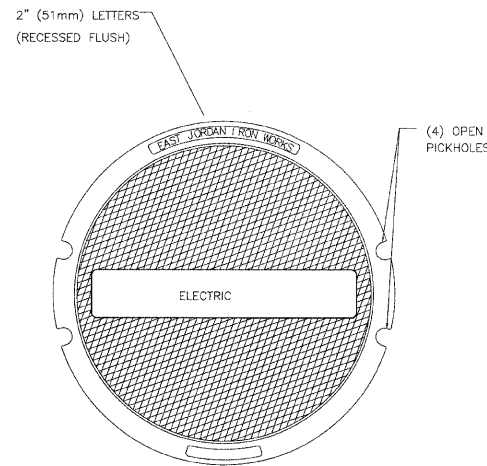


F.A. RTE.	SECTION	COUNTY	TOTAL SHEETS	SHEET NO.
3570	00-00116-00-BR	DUPAGE	106	69
STA. 4+38.47		TO STA. 14+62.4		
FED. ROAD DIST. NO.		ILLINOIS	FED. AID PROJECT	
CONTRACT 83827				



- NOTES:
1. CONCRETE 4500 PSI AT 28 DAYS
 2. EACH ADJUSTING RING SHALL COME WITH 14 FEET OF 1" INCH DIAMETER JOINT SEALANT TAPE.

**MANHOLE
ADJUSTING RING**

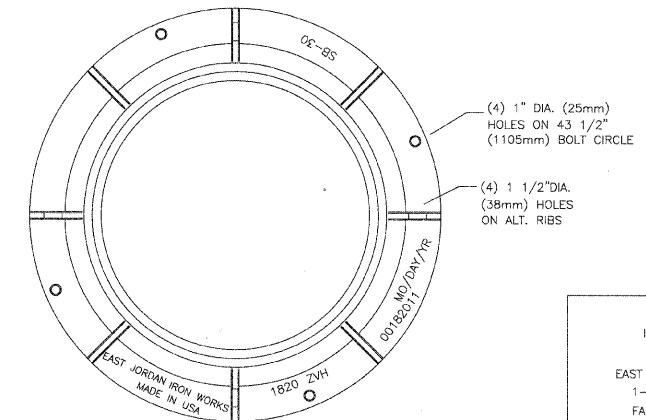


EAST JORDAN
IRON WORKS, INC.
P.O. BOX 439
EAST JORDAN, MI. 49727
1-800-874-4100
FAX 231-536-4458

EST. WT.
COVER: 295 LBS 134kg

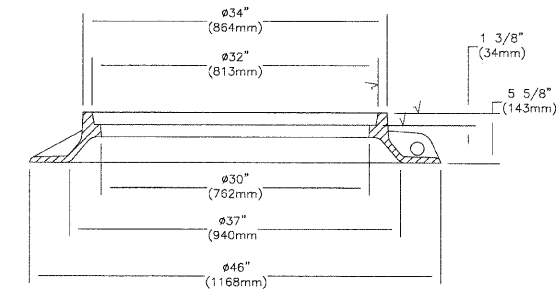
✓ MACHINED SURFACE

COVER SECTION



EAST JORDAN
IRON WORKS, INC.
P.O. BOX 439
EAST JORDAN, MI. 49727
1-800-874-4100
FAX 231-536-4458

EST. WT.
FRAME: 295 LBS 134kg



✓ MACHINED SURFACE

FRAME SECTION

NOTES:

- 1) CONTRACTOR IS ADVISED THE MANHOLE AS SUPPLIED FROM UTILITY CONCRETE PRODUCTS (UCP). IS SHIPPED WITH 2-12" ADJUSTING RING ONLY.
- 2) CONTRACTOR IS ADVISED THAT 2" AND 6" ADJUSTING RINGS ARE AVAILABLE FROM THE CITY, IF REQUESTED BY THE CONTRACTOR. CONTRACTOR TO PICK UP AND IS INCIDENTAL TO THE CONTRACT.
- 3) COVERS AND FRAME SECTIONS ARE TO BE PICKED UP AT THE CITY STORAGE YARD AND IS INCIDENTAL TO THE CONTRACT.

CITY OF NAPERVILLE/DEPARTMENT OF PUBLIC UTILITIES - ELECTRIC

CALL J.U.L.I.E. 48 HRS. PRIOR TO CONSTRUCTION

PROJECT TITLE JEFFERSON ST. BRIDGE DUCTBANK INSTALLATION		MAP NO.: -	CAD FILE: 0054679001D14.DWG
PROJECT DESCRIPTION MANHOLE DETAILS		DRAWN BY: JK, PM	PROJECT NO.: EU13-04-06
DATE 4-01 09	WORK REQUEST NO. 54679	CHKD:	COMPLETED BY:
ISSUED	ENGINEER PSM	APRV:	SCALE: NTS
REVISION	1 2 3		SHEET 14 OF 30