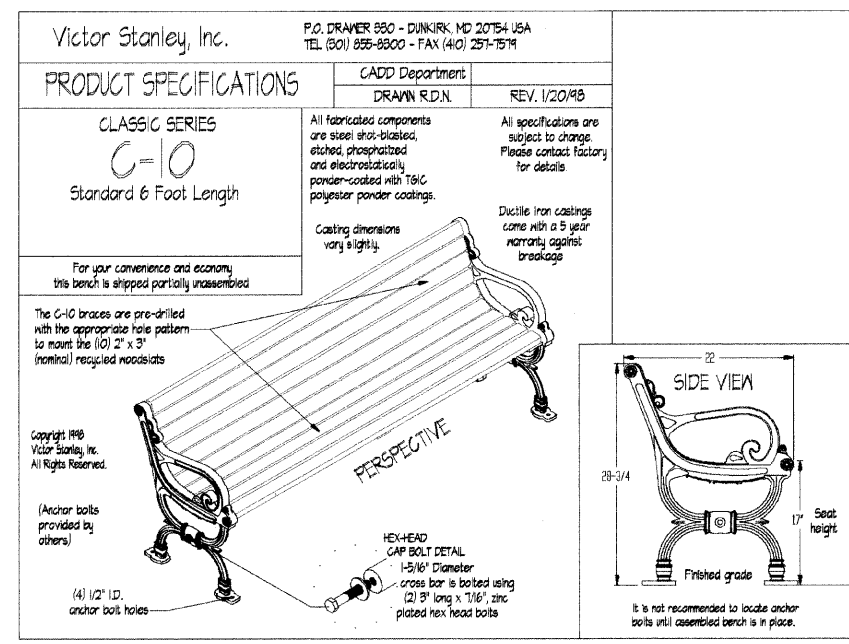
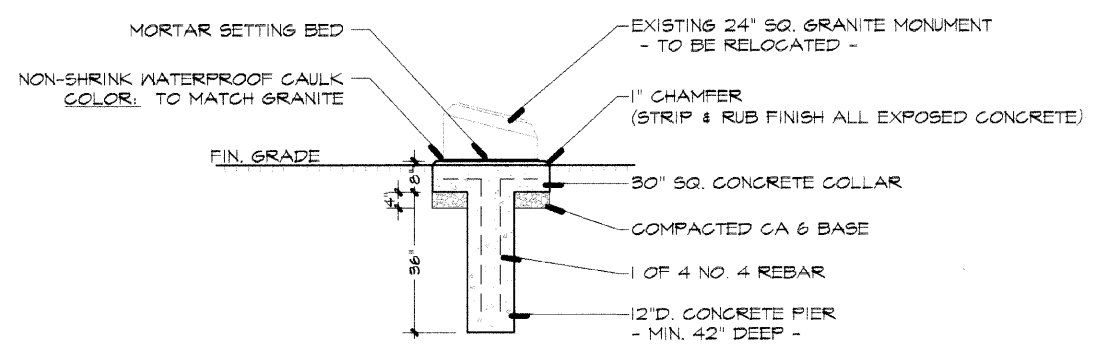


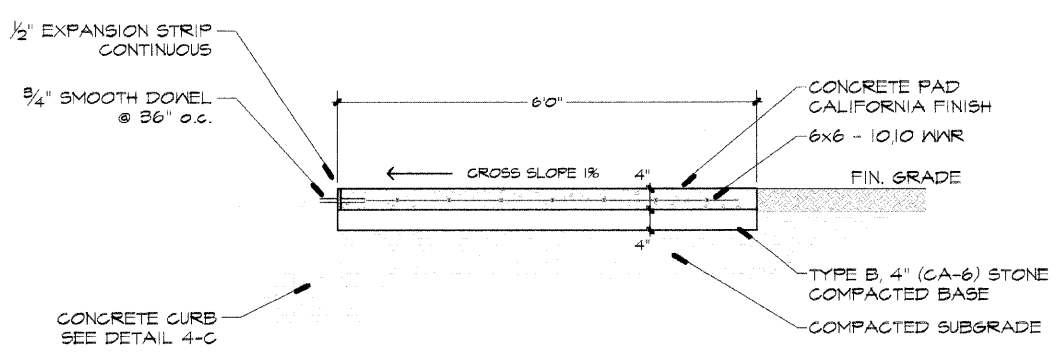
SCOPE OF WORK		UNIT	TOTAL QTY.
ITEM			
<b>DEMOLITION</b>			
TREE REMOVAL (6-15 CAL. IN.) (IN ADDITION TO ENGINEER'S QUANTITIES)	CAL. IN.		113
SHRUB REMOVAL	EACH		28
ORNAMENTAL METAL FENCE REMOVAL	TOTAL		1
SIGN REMOVAL	EACH		1
CHAINLINK FENCE REMOVAL	L.F.		28
REMOVE AND STORE TRASH RECEPTACLE	EACH		1
REMOVE AND STORE MONUMENT AND PLAQUE	TOTAL		1
REMOVE AND STORE GRANITE MILEAGE MARKER	TOTAL		1
REMOVE PALLETIZE AND SHRINKWRAP PAVERS	S.F.		480
REMOVE AND STORE INFORMATION SIGN	EACH		1
REMOVE AND STORE 6' WOOD BENCH	EACH		1
REMOVE AND STORE REGULATION SIGN	EACH		1
REMOVE AND STORE MUTT MITT POST	EACH		1
SAWCUT ASPHALT PATH AND CURB	L.F.		8
REMOVE CONCRETE BARRIER CURB	L.F.		130
REMOVE ASPHALT PATH	S.F.		430
<b>HARDSCAPES</b>			
NEW CONCRETE BARRIER CURB	L.F.		254
RE-INSTALL SAVED PAVERS	S.F.		480
PROVIDE AND INSTALL NEW PAVERS	S.F.		645
RE-INSTALL GRANITE MILEAGE MARKER	TOTAL		1
NEW CONCRETE BIKE PARKING PAD	S.F.		86
PROVIDE AND INSTALL BOW-BIKE RACK LOOPS	EACH		4
RE-INSTALL MUTT MITT POST	TOTAL		1
RE-INSTALL MONUMENT AND PLAQUE ON NEW FOUNDATION	TOTAL		1
RE-INSTALL TRASH RECEPTACLE	EACH		1
RE-INSTALL STORED 6' WOOD BENCH	EACH		1
PROVIDE AND INSTALL NEW MATCHING 6' WOOD BENCH	EACH		1
RE-INSTALL INFORMATION SIGN	EACH		1
RE-INSTALL RULES AND REGULATIONS SIGN	EACH		1
PROVIDE, INSTALL AND WIRE NEW SHEPHERDS CROOK LIGHT	EACH		2
PROVIDE AND INSTALL DOUBLE BANNER POLE	EACH		1
ROUGH GRADING	S.Y.		100
DEBRIS REMOVAL	TOTAL		1
<b>PLANT MATERIALS - (SEE SHEET L3 FOR DETAILED LIST OF PLANT MATERIAL.)</b>			
AAB	Acer x freemanii 'Autumn Blaze', 4.0"	EACH	4
TCG	Tilia cordata 'Greenspire', 4.0"	EACH	1
PSW	Pinus strobus, 7'	EACH	3
TOM	Thuja occidentalis 'Mission', 6'	EACH	6
CTS	Chaenomeles speciosa 'Texas Scarlet', 5G	EACH	23
VP	Viburnum prunifolium, 5'	EACH	2
BGV	Buxus microphylla 'Green Velvet', 24"	EACH	5
APBB	Aesculus parviflora 'Rogers', 36"	EACH	3
HAA	Hydrangea arborescens 'Annabelle', 5G	EACH	41
KJP	Kerria japonica 'Pleniflora', 24"	EACH	17
RAG	Rhus aromatica 'Gro-low', 5G	EACH	45
RTE	Rhus typhina 'Baltiger', 36"	EACH	12
RKO	Rosa 'Knockout', 3G	EACH	7
AML	Alchemilla mollis, 1G	EACH	72
AAF	Astilbe chinensis 'Fanal', 1G	EACH	30
CKF	Calamagrostis acutiflora 'Karl Forester', 3G	EACH	5
HAM	Hosta 'August Moon', 1G	EACH	100
HPA	Hosta plantaginea 'Patriot'	EACH	20
HGS	Hosta 'Gold Standard', 1G	EACH	40
ICB	Iris sibirica 'Caesar's Brother', 1G	EACH	7
NBW	Nepeta x faassenii 'Blue Wonder', 1G	EACH	50
SMN	Salvia x superba 'May Night', 1G	EACH	10
WF	Waldsternia fragarioides, 3"	EACH	360
AB	Accent Boulder	EACH	2
	Compost	C.Y.	6
	Topsail	C.Y.	5
	Shredded Hardwood Bark Mulch	C.Y.	24
	Bluegrass Sod (SEE ENGINEERS PLANS FOR TURF RESTORATION)		



5  
A  
**6' WOOD BENCH DETAIL**  
N.T.S.



5  
B  
**RELOCATED MONUMENT CONCRETE BASE DETAIL**  
N.T.S.



5  
C  
**CONCRETE BIKE PARKING PAD DETAIL**  
N.T.S.



Land Planning  
Landscape Architecture  
Environmental Site Design

17 COURT PLACE - NAPERVILLE, IL 60563 - (630) 393-9900 FAX (630) 393-9904

project:

**RIVERWALK  
JEFFERSON AVE.  
GATEWAY PLAZA**

Brethren Peace Plaza

NAPERVILLE, ILLINOIS

sheet description:

**Summary  
of Quantities  
and  
Construction Details**



6/04/2005	Per New Bike Parking Area
8/02/2005	Per RMC Review Comments
10/28/2005	Per IDOT Review
8/15/2005	Per Bollinger, Lutz & Associates Preliminary Plan Review Comments
7/19/2005	Per City Review Comments
8/18/2005	Per RMC Commission Review
	8/18/2005 Progress Prints

original issue date: **2 MAY 2005**

drawn by: [Signature]

checked by: [Signature]

project no: **25005**

sheet no: