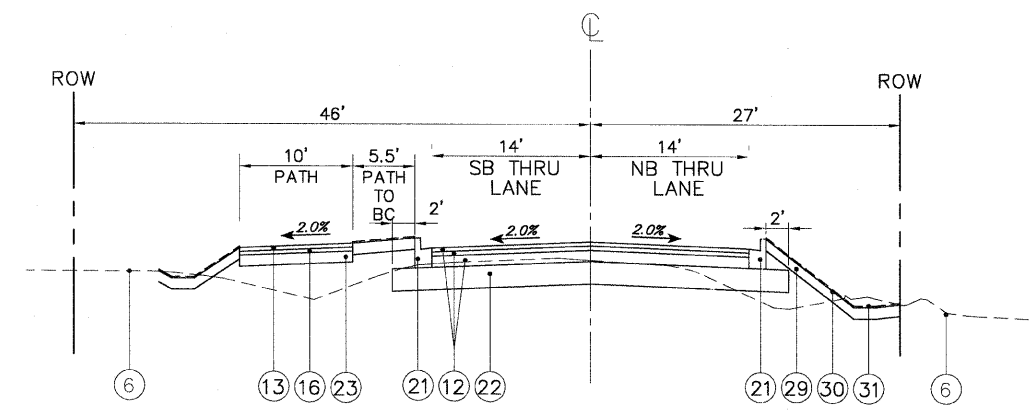
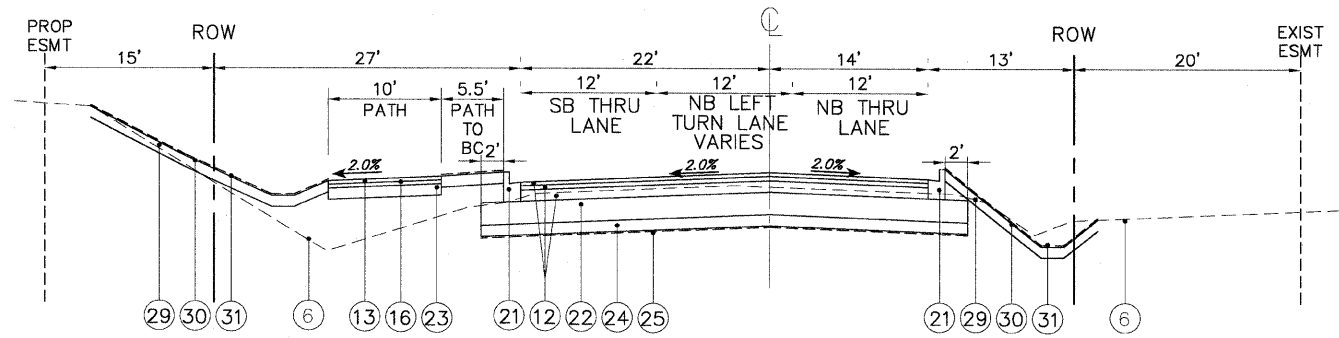


TYPICAL PROPOSED CROSS SECTION CEMETERY ROAD  
FROM STA. 198+49 STA. 210+00  
SHOWN AT STA. 202+00



TYPICAL PROPOSED CROSS SECTION CEMETERY ROAD  
FROM STA. 210+00 TO STA. 243+00  
SHOWN AT STA. 228+00



TYPICAL PROPOSED CROSS SECTION CEMETERY ROAD  
FROM STA. 243+00 TO STA. 251+00

TYPICAL CROSS SECTION LEGEND

- NO DESCRIPTION
- ① EXISTING BITUMINOUS PAVEMENT (VARIES 8" TO 16")
- ② EXISTING AGGREGATE BASE COURSE (VARIES 5" TO 16")
- ③ EXISTING AGGREGATE SHOULDER (VARIES 6" TO 10")
- ④ EXISTING BITUMINOUS SHOULDER (VARIES 6" TO 10")
- ⑤ EXISTING CONCRETE CURB & GUTTER
- ⑥ EXISTING GROUND
- ⑦ EXISTING LANDSCAPED MEDIAN
- ⑧ HOT-MIX SURFACE REMOVAL, 2-1/2"
- ⑨ REMOVAL AND DISPOSAL OF UNSUITABLE MATERIAL
- ⑩ EARTHWORK REMEDIAL TREATMENT - SEE SHEET 2
- ⑪ HOT-MIX ASPHALT PAVEMENT (FULL DEPTH), 12"
- ⑫ HOT-MIX ASPHALT PAVEMENT (FULL DEPTH), 8"
- ⑬ HOT-MIX ASPHALT SURFACE COURSE, MIX 'D' N50, 2"
- ⑭ HOT-MIX ASPHALT SURFACE COURSE, MIX 'D' N50, 2 1/2"
- ⑮ HOT-MIX ASPHALT SURFACE COURSE, MIX 'D' N70, 2"
- ⑯ HOT-MIX ASPHALT BINDER COURSE, IL-19.0, N50, 2"
- ⑰ HOT-MIX ASPHALT BINDER COURSE, IL-19.0, N70, 2"
- ⑱ HOT-MIX ASPHALT BINDER COURSE, IL-19.0, N50, 8"
- ⑲ POLYMERIZED LEVELING BINDER (MACHINE METHOD), IL 4.75, N50, (VARIES 3/4" TO 1 1/4")
- ⑳ COMBINATION CONCRETE CURB & GUTTER, TYPE B-6.24
- ㉑ COMBINATION CONCRETE CURB & GUTTER, TYPE B-6.12
- ㉒ AGGREGATE SUBGRADE, 12"
- ㉓ AGGREGATE BASE COURSE, TYPE 'B', 6"
- ㉔ POROUS GRANULAR EMBANKMENT SUBGRADE
- ㉕ GEOTECHNICAL FABRIC FOR GROUND STABILIZATION
- ㉖ PIPE UNDERDRAINS, 4"(MODIFIED)
- ㉗ P.C.C. SIDEWALK, 5"
- ㉘ CONCRETE MEDIAN SURFACE, 4"
- ㉙ TOPSOIL PLACEMENT, 6"
- ㉚ SEEDING, CLASS 2A
- ㉛ EROSION CONTROL BLANKET (SPECIAL)
- ⓧ ITEM TO BE REMOVED

NOTE:

ANY CONSTRUCTION WORK WITHIN IDOT'S R.O.W. WILL FOLLOW IDOT'S STANDARD SPECIFICATIONS FOR ROAD AND BRIDGE CONSTRUCTION, LATEST EDITION.

POROUS GRANULAR EMBANKMENT (PGE) SUBGRADE SHALL BE PROVIDED AT LOCATIONS INDICATED FOR SOILS WHICH ARE NOTED TO BE UNSTABLE WHEN WET. THE LIMITS OF THIS REMOVAL AND REPLACEMENT WITH PGE WILL BE DETERMINED IN THE FIELD BY THE ENGINEER, WITH THE USE OF A CONE PENETROMETER AND THE IDOT SUBGRADE STABILITY MANUAL. IF UNSTABLE SOILS ARE ENCOUNTERED, THE SOILS SHALL BE REMOVED AND REPLACED WITH PGE. THE WIDTH OF UNDERCUT SHOULD BE FROM THE EDGE OF THE EXISTING PAVEMENT TO TWO FEET BEHIND THE PROPOSED BACK OF CURB. PERFORATED 4" PVC SDR 35 TRANSVERSE UNDERDRAINS SHALL BE PLACED AT THE LOW POINTS OF ALL UNDERCUTS REPLACED WITH PGE. UNDERDRAINS SHALL BE INSTALLED 30" BELOW FINAL PAVEMENT GRADE AND CONNECT TO THE STORM SEWER WHERE POSSIBLE.

HOT-MIX ASPHALT REQUIREMENTS TABLE

PAY ITEM	AC TYPE	VOIDS	MAX RAP%
<b>HOT-MIX ASPHALT PAVEMENT (FULL DEPTH) 12"</b>			
POLYMERIZED HOT-MIX ASPHALT SURFACE COURSE, MIX 'F', N90, (IL 9.5mm) 2"	SBS/SBR PG 70 -22	4% @ 90 GYR	10 %
POLYMERIZED HOT-MIX ASPHALT BINDER COURSE, IL-19.0 N90, 2"	SBS/SBR PG 70 -22	4% @ 90 GYR	10 %
HOT-MIX ASPHALT BINDER COURSE, IL 19.0, N50, 8"	* PG 64 -22	4% @ 50 GYR	25 %

PAY ITEM	AC TYPE	VOIDS	MAX RAP%
<b>HOT-MIX ASPHALT PAVEMENT (FULL DEPTH) 8"</b>			
HOT-MIX ASPHALT SURFACE COURSE, MIX 'D', N50, (IL 9.5mm), 2"	PG 64 -22	4% @ 50 GYR	15 %
HOT-MIX ASPHALT BINDER COURSE, IL 19.0, N50, 2"	* PG 64 -22	4% @ 50 GYR	25 %
HOT-MIX ASPHALT BINDER COURSE, IL 19.0, N50, 4"	* PG 64 -22	4% @ 50 GYR	25 %

PAVING OPERATION	AC TYPE	VOIDS	MAX RAP%
<b>PAVEMENT WIDENING, TRI STATE PARKWAY</b>			
HOT-MIX ASPHALT SURFACE COURSE, MIX 'D', N70, (IL 9.5mm), 2"	PG 64 -22	4% @ 70 GYR	10 %
HOT-MIX ASPHALT BINDER COURSE, IL 19.0, N70, 2"	* PG 64 -22	4% @ 70 GYR	15 %
HOT-MIX ASPHALT BINDER COURSE, IL 19.0, N50, 8"	* PG 64 -22	4% @ 50 GYR	25 %

PAVING OPERATION	AC TYPE	VOIDS	MAX RAP%
<b>PAVEMENT RESURFACING, TRI STATE PARKWAY</b>			
HOT-MIX ASPHALT SURFACE COURSE, MIX 'D', N70, (IL 9.5mm) 2"	PG 64 -22	4% @ 70 GYR	10 %
POLYMERIZED LEVELING BINDER (MACHINE METHOD) IL 4.75 N50, 1"	SBS/SBR PG 76 -22	4% @ 50 GYR	15 %

PAVING OPERATION	AC TYPE	VOIDS	MAX RAP%
<b>PROPOSED SHARED USE PATH CEMETERY ROAD &amp; WASHINGTON STREET</b>			
HOT-MIX ASPHALT SURFACE COURSE, MIX 'C', N50, (IL 9.5mm), 2"	PG 64 -22	4% @ 50 GYR	15 %
HOT-MIX ASPHALT BINDER COURSE, IL 19.0, N50, 2"	* PG 64 -22	4% @ 50 GYR	25 %

PAVING OPERATION	AC TYPE	VOIDS	MAX RAP%
<b>PAVEMENT MINOR ACCESS DRIVEWAY</b>			
HOT-MIX ASPHALT SURFACE COURSE, MIX 'C', N50, (IL 9.5mm), 2 1/2"	PG 64 -22	4% @ 50 GYR	15 %

PAVING OPERATION	AC TYPE	VOIDS	MAX RAP%
<b>TEMPORARY BITUMINOUS PAVEMENT, WASHINGTON STREET</b>			
HOT-MIX ASPHALT BINDER COURSE, IL 19.0, N50, 2"	PG 64 -22	4% @ 50 GYR	15 %
HOT-MIX ASPHALT BINDER COURSE, IL 19.0, N50, 8"	* PG 64 -22	4% @ 50 GYR	25 %

\* NOTE: TEMPORARY PAVEMENT REFERENCE PROPOSED CONSTRUCTION STAGING.

PAVING OPERATION	AC TYPE	VOIDS	MAX RAP%
<b>PAVEMENT PATCHING</b>			
CLASS D PATCHES, TYPE I, II, III, IV	PG 64 -22	4% @ 70 GYR	15 %
HOT-MIX ASPHALT BINDER, IL 19.0, N70	PG 64 -22	4% @ 70 GYR	15 %
HOT-MIX ASPHALT REPLACEMENT OVER PATCHES	PG 64 -22	4% @ 70 GYR	15 %
HOT-MIX ASPHALT BINDER, IL 19.0, N70	PG 64 -22	4% @ 70 GYR	15 %

THE UNIT WEIGHT USED TO CALCULATE ALL HOT-MIX ASPHALT SURFACE MIX QUANTITIES IS 112 LBS / SQ YD / IN.

\* WHEN RAP EXCEEDS 20%, THE NEW ASPHALT BINDER IN THE MIX SHALL BE PG 58-22

PLANS PREPARED BY:  
**GEWALT HAMILTON ASSOCIATES, INC.**  
Consulting Engineers & Surveyors  
850 Forest Ridge Drive  
Vernon Hills, IL 60061  
(847) 478-9700  
(847) 478-9701 Fax

REVISIONS	
NAME	DATE
REV.-1 IDOT COMMENTS	02-03-06
REV.-2 PLANS STAGED	06-02-06
REV.-5 PRE-FINAL SUB	02-20-09
PS&E SUBMITTAL	04-10-09

ILLINOIS DEPARTMENT OF TRANSPORTATION  
**TYPICAL CROSS SECTIONS CEMETERY ROAD**  
PROPOSED ROADWAY WIDENING AND INTERSECTION IMPROVEMENTS WASHINGTON STREET & CEMETERY ROAD  
SCALE: NTS  
DATE: 11-12-04  
DRAWN BY: CGP  
DESIGNED BY:  
CHECKED BY: