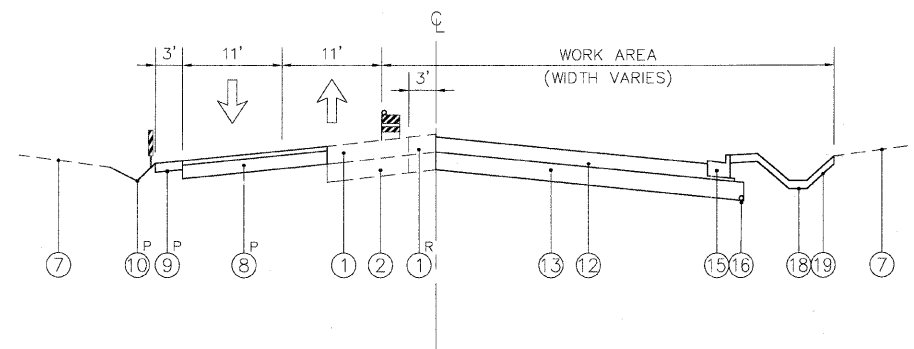
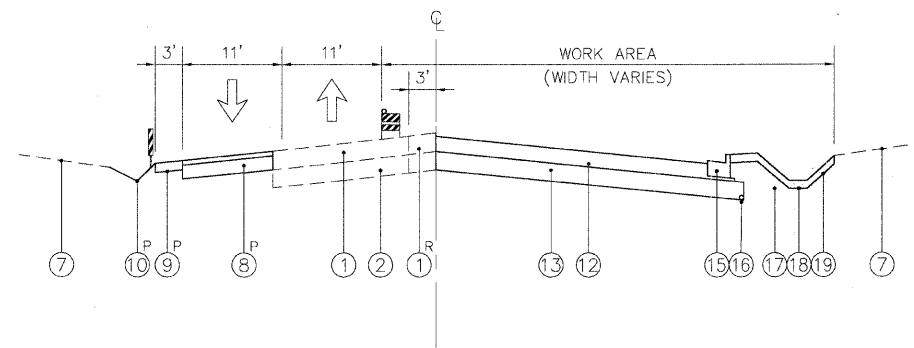


STAGE CONSTRUCTION SCHEDULE (SUGGESTED CONSTRUCTION)
STAGE II - WASHINGTON STREET

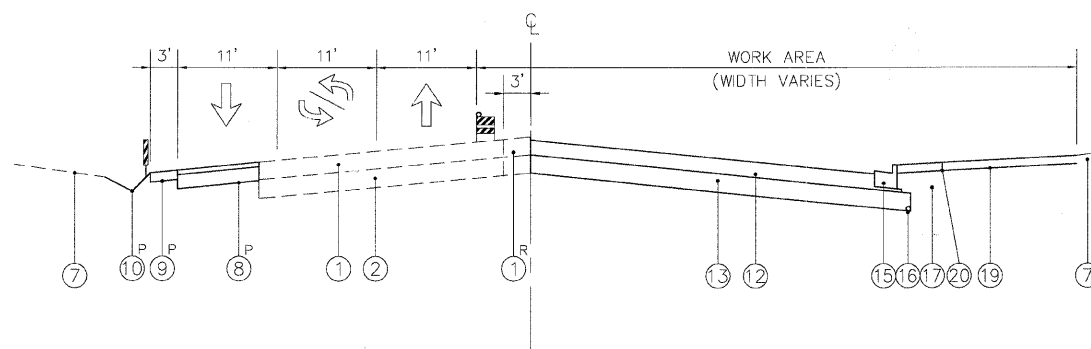
- A. STAGE II CONSISTS OF CONSTRUCTING THE SOUTHSIDE OF WASHINGTON STREET, THE TEMPORARY PAVEMENT ALONG WASHINGTON STREET NEAR CEMETERY ROAD AND THE SOUTH SIDE OF CEMETERY ROAD. CEMETERY ROAD NORTH OF WASHINGTON STREET SHALL BE CLOSED DURING STAGE II AND III OF THIS CONSTRUCTION STAGING PLAN.
- B. SET UP THE TRAFFIC CONTROL IN ACCORDANCE WITH DETAILS IN THE PLANS AND THE APPLICABLE PORTIONS OF STANDARDS 701606, 701331 AND 701701 AND IDOT DISTRICT ONE, SIDE ROAD DETAIL. THE CONTRACTOR SHALL REMOVE ANY CONFLICTING PAVEMENT MARKINGS.
- C. THE CONTRACTOR SHALL CONSTRUCT ALL DITCHES, STORM SEWERS, LATERALS AND DRAINAGE STRUCTURES ON THE SOUTH SIDE OF WASHINGTON STREET WITH APPROPRIATE EROSION CONTROL. THE CONTRACTOR SHALL CONSTRUCT THE PROPOSED TRAFFIC SIGNAL INTERCONNECT CONDUIT.
- D. THE CONTRACTOR SHALL CONSTRUCT ALL SUBGRADE, HOT-MIX ASPHALT BINDER COURSE AND CURB AND GUTTER ON WASHINGTON STREET.
- E. CONSTRUCT THE TEMPORARY PAVEMENT ALONG THE SOUTH SIDE OF WASHINGTON STREET, EAST OF CEMETERY ROAD AS SHOWN ON THE MAINTENANCE OF TRAFFIC PLANS.
- F. COMPLETE THE STORM SEWER, LATERALS, DRAINAGE STRUCTURES, SUBGRADE, HOT-MIX ASPHALT BINDER COURSE AND CURB AND GUTTER ON THE EAST SIDE OF CEMETERY ROAD PRIOR TO CONSTRUCTION ON THE WEST SIDE OF CEMETERY ROAD.
- G. COMPLETE THE DRAINAGE, MINOR WIDENING AND CURB AND GUTTER ON THE WEST SIDE OF CEMETERY ROAD.
- H. CONSTRUCT ALL SIDEWALKS AS SHOWN ON THE PLANS.
- I. COMPLETE ALL DITCHING AND LANDSCAPING SHOWN ON THE PLANS TO FINAL GRADE.



STAGE II CONSTRUCTION
WASHINGTON STREET
TYPICAL FOR EXISTING 2 LANE SECTION



STAGE II CONSTRUCTION
WASHINGTON STREET
TYPICAL FOR EXISTING 3 LANE SECTION



STAGE II CONSTRUCTION
WASHINGTON STREET
TYPICAL FOR EXISTING INTERSECTION

LEGEND

- ① EXISTING BITUMINOUS PAVEMENT (VARIES 8" TO 16")
- ② EXISTING AGGREGATE BASE COURSE (VARIES 5" TO 16")
- ③ EXISTING AGGREGATE SHOULDER
- ④ EXISTING BITUMINOUS SHOULDER
- ⑤ EXISTING CURB & GUTTER
- ⑥ EXISTING DITCH/SWALE
- ⑦ EXISTING GROUND
- ⑧ TEMPORARY BITUMINOUS PAVEMENT (10")
- ⑨ TEMPORARY AGGREGATE SHOULDER, TYPE B, 4"
- ⑩ TEMPORARY DITCH/SWALE
- ⑪ POLYMERIZED HOT-MIX ASPHALT SURFACE COURSE, MIX "F", N90, 2"
- ⑫ POLYMERIZED HOT-MIX ASPHALT BINDER COURSE, IL-19.0, N90, 2"
HOT-MIX ASPHALT BINDER COURSE, IL-19.0, N50, 8"
- ⑬ AGGREGATE SUBGRADE, 12"
- ⑭ COMBINATION CONC. CURB & GUTTER, TY. B-6.12
- ⑮ COMBINATION CONC. CURB & GUTTER, TY. B-6.24
- ⑯ PIPE UNDERDRAINS, 4"(MODIFIED)
- ⑰ FURNISHED EXCAVATION
- ⑱ DITCH/SWALE
- ⑲ TOPSOIL PLACEMENT, 6" & SEEDING CLASS 2A
- ⑳ SIDEWALK

- ^P ITEM FROM PREVIOUS STAGE
- ^R ITEM TO BE REMOVED

PLANS PREPARED BY:
GEWALT HAMILTON
ASSOCIATES, INC.
Consulting Engineers & Surveyors
850 Forest Edge Drive
Vernon Hills, IL 60061
(847) 476-9700
(847) 476-9701 Fax

REVISIONS	
NAME	DATE
REV.-1 IDOT COMMENTS	02-03-06
REV.-2 PLANS STAGED	06-02-06
REV.-5 PRE-FINAL SUB	02-20-09
PS&S SUBMITTAL	04-10-09

ILLINOIS DEPARTMENT OF TRANSPORTATION
WASHINGTON STREET
PROPOSED CONSTRUCTION STAGING,
TRAFFIC CONTROL, GENERAL NOTES AND
TYPICAL SECTIONS - STAGE II
SCALE: NONE
DATE: 11-02-04
DRAWN BY: CGP
DESIGNED BY: JRD
CHECKED BY: BLS