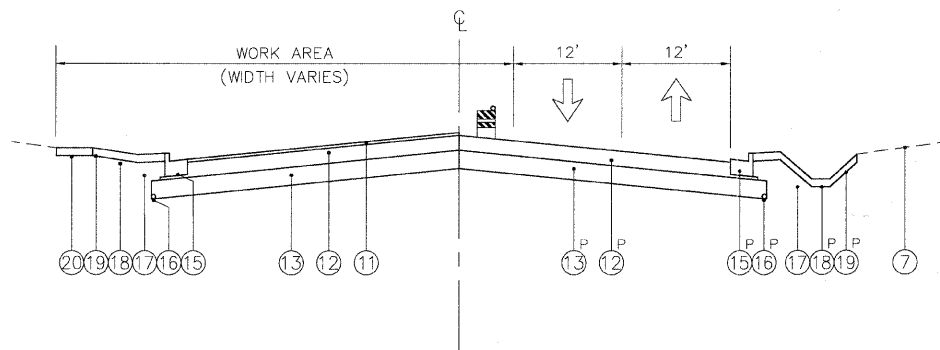


**STAGE CONSTRUCTION SCHEDULE (SUGGESTED CONSTRUCTION)**  
**STAGE III - WASHINGTON STREET**

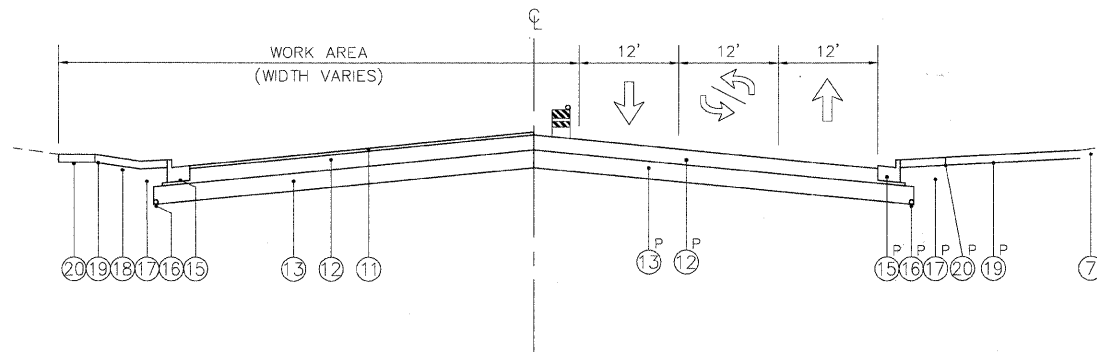
- A. STAGE III CONSISTS OF CONSTRUCTING THE NORTHSIDE OF WASHINGTON STREET.
- B. SET UP THE TRAFFIC CONTROL IN ACCORDANCE WITH THE DETAILS IN THE PLANS AND THE APPLICABLE PORTIONS OF STANDARD 701606 AND IDOT DISTRICT ONE SIDE ROAD DETAIL. THE CONTRACTOR SHALL REMOVE ANY CONFLICTING PAVEMENT MARKINGS.
- C. THE CONTRACTOR SHALL CONSTRUCT THE DRAINAGE STRUCTURES, LATERALS AND APPROPRIATE EROSION CONTROL, ALL SUBGRADE, HOT-MIX ASPHALT BINDER COURSE AND THE CURB AND GUTTER ON THE NORTHSIDE OF WASHINGTON STREET.
- D. CEMETERY ROAD NORTH OF WASHINGTON STREET SHALL BE CLOSED DURING STAGE II AND III OF THIS CONSTRUCTION STAGING PLAN.



**STAGE III CONSTRUCTION**  
WASHINGTON STREET  
TYPICAL FOR ALL SECTIONS

**STAGE CONSTRUCTION SCHEDULE (SUGGESTED CONSTRUCTION)**  
**STAGE IV - WASHINGTON STREET**

- A. STAGE IV CONSISTS OF REMOVING THE TEMPORARY PAVEMENT ALONG WASHINGTON STREET NEAR CEMETERY ROAD AND REPLACING IT WITH CURB AND GUTTER.
- B. USING THE DAYTIME CLOSURES AND FLAGMEN FOR MODIFIED STANDARD 701606, THE CONTRACTOR SHALL INSTALL THE ENTIRE HOT-MIX ASPHALT SURFACE COURSE AND ALL PERMANENT PAVEMENT MARKINGS.



**STAGE III CONSTRUCTION**  
WASHINGTON STREET  
TYPICAL AT INTERSECTION

**LEGEND**

- ① EXISTING BITUMINOUS PAVEMENT (VARIES 8" TO 16")
  - ② EXISTING AGGREGATE BASE COURSE (VARIES 5" TO 16")
  - ③ EXISTING AGGREGATE SHOULDER
  - ④ EXISTING BITUMINOUS SHOULDER
  - ⑤ EXISTING CURB & GUTTER
  - ⑥ EXISTING DITCH/SWALE
  - ⑦ EXISTING GROUND
  - ⑧ TEMPORARY BITUMINOUS PAVEMENT (10")
  - ⑨ TEMPORARY AGGREGATE SHOULDER, TYPE B, 4"
  - ⑩ TEMPORARY DITCH/SWALE
  - ⑪ POLYMERIZED HOT-MIX ASPHALT SURFACE COURSE, MIX "F", N90, 2"
  - ⑫ POLYMERIZED HOT-MIX ASPHALT BINDER COURSE, IL-19.0, N90, 2"  
HOT-MIX ASPHALT BINDER COURSE, IL-19.0, N50, 8"
  - ⑬ AGGREGATE SUBGRADE, 12"
  - ⑭ COMBINATION CONC. CURB & GUTTER, TY. B-6.12
  - ⑮ COMBINATION CONC. CURB & GUTTER, TY. B-6.24
  - ⑯ PIPE UNDERDRAINS, 4"(MODIFIED)
  - ⑰ FURNISHED EXCAVATION
  - ⑱ DITCH/SWALE
  - ⑲ TOPSOIL PLACEMENT, 6" & SEEDING CLASS 2A
  - ⑳ SIDEWALK
- <sup>P</sup> ITEM FROM PREVIOUS STAGE  
○<sup>R</sup> ITEM TO BE REMOVED

PLANS PREPARED BY:  
**GEWALT HAMILTON**  
ASSOCIATES, INC.  
Consulting Engineers & Surveyors  
850 Forest Edge Drive  
Vernon Hills, IL 60061  
(847) 476-9700  
(847) 476-9701 Fax

| REVISIONS            |          |
|----------------------|----------|
| NAME                 | DATE     |
| REV.-1 IDOT COMMENTS | 02-03-06 |
| REV.-2 PLANS STAGED  | 06-02-06 |
| REV.-5 PRE-FINAL SUB | 02-20-09 |
| PS&S SUBMITTAL       | 04-10-09 |

ILLINOIS DEPARTMENT OF TRANSPORTATION  
**WASHINGTON STREET**  
PROPOSED CONSTRUCTION STAGING,  
TRAFFIC CONTROL, GENERAL NOTES AND  
TYPICAL SECTIONS - STAGE III  
SCALE: NONE  
DATE: 11-02-04  
DRAWN BY: CGP  
DESIGNED BY: JRD  
CHECKED BY: BLS