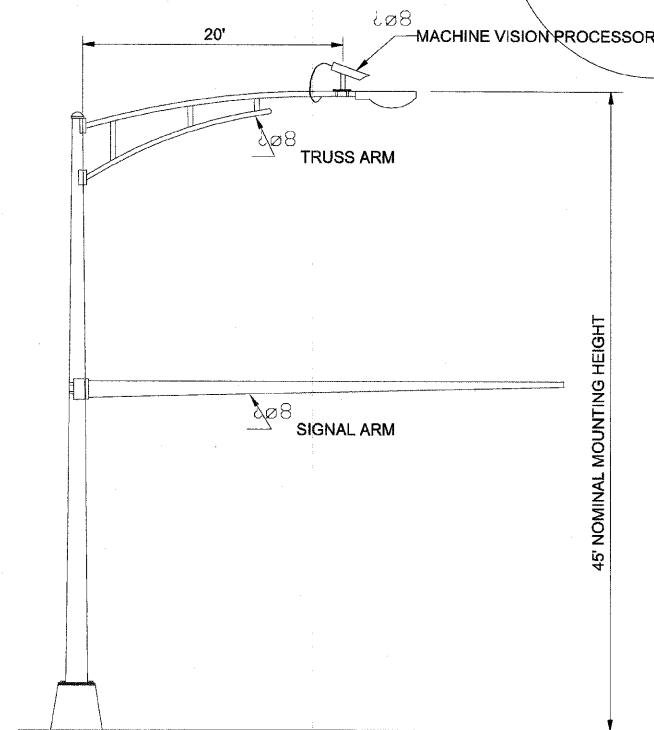


**TYPICAL VIDEO VEHICLE  
DETECTION SYSTEM**

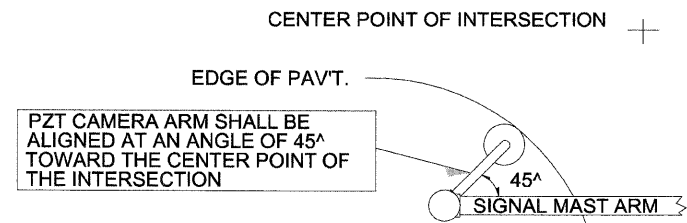
(NOT TO SCALE)

(4) MACHINE VISION PROCESSOR ASSEMBLIES AND BRACKETS  
POWER CABLE TO EACH MACHINE VISION PROCESSOR (24 VAC)



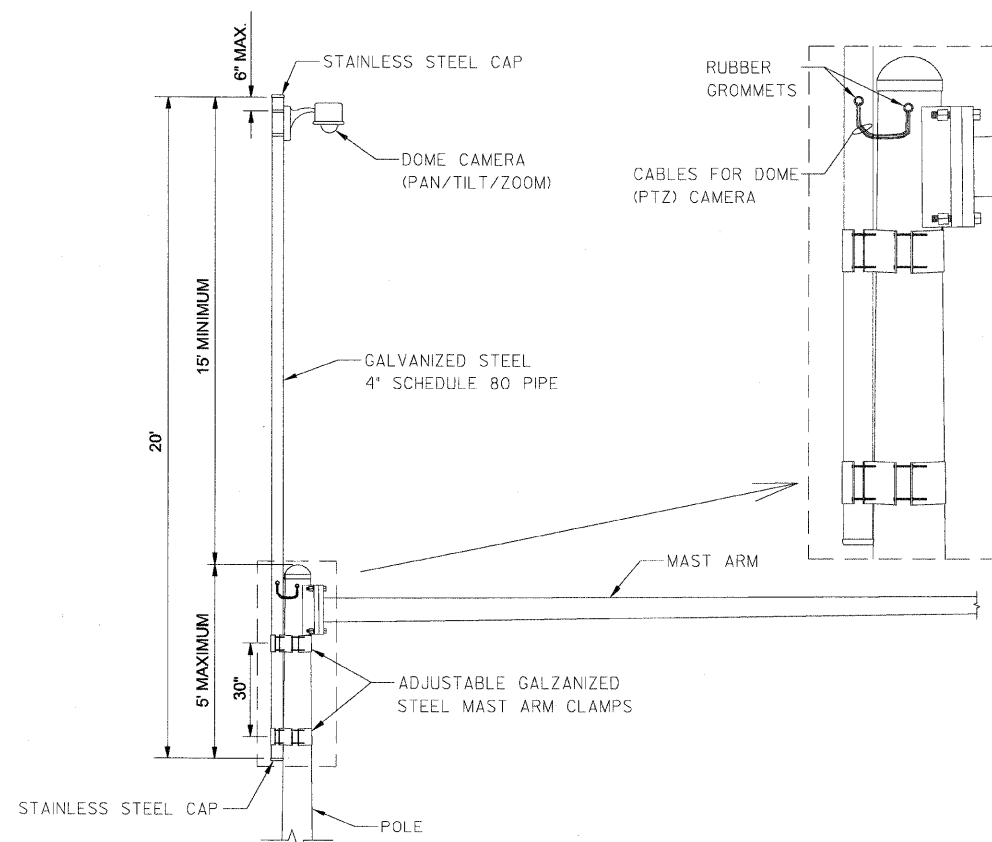
**COMBINATION MAST ARM ASSEMBLY  
AND POLE DIMENSIONS**

(NOT TO SCALE)



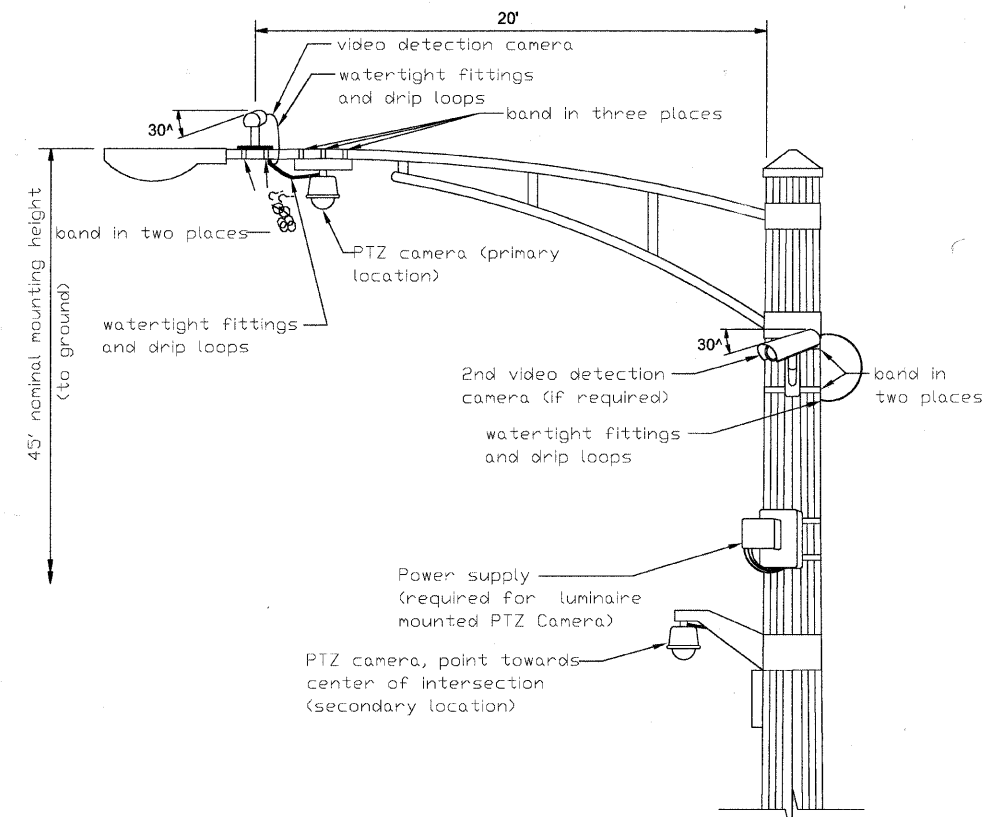
**IMAGE SENSOR MOUNTING DETAILS**

(NO SCALE)



**CAMERA MOUNTING ASSEMBLY DETAIL**

(NOT TO SCALE)



**VIDEO DETECTION CAMERA(S) AND  
DOME (PTZ) CAMERA MOUNTING DETAIL**

(NOT TO SCALE)

- NOTES FOR SINGLE, DUAL AND MULTIPLE MVP MOUNTING:
- MOUNT LUMINAIRE MOUNTING BRACKET AS HIGH AS POSSIBLE.
  - AIM BRACKET TOWARD DIRECTION OF TRAFFIC TO BE DETECTED.
  - MOUNT MACHINE VISION PROCESSOR AIMING DOWN AT 30 DEGREE ANGLE.

REVISIONS / REMARKS		DATE	BY	SURVEYOR:
NO.	DESCRIPTION	DATE	BY	/
		/ /		DSCNR/LIAISON:
		/ /		PLOTTED BY: @USRN# @DAT###



VIDEO DETECTION DETAILS

REVISIONS	DATE	Lake County Division of Transportation	APPROVED BY: A. KHAWAJA
Mounting Details Revised	5/1/08		DATE: APRIL 1, 2007
2nd Camera Locat. added	1/14/09		

ROUTE	SECTION	SECTION NUMBER	SHEET	SHEETS
CHXX	XXX	00-00047-00-FP	175	180

REVISION	DATE	REVISION	DATE
REV-5 FIRE-FINAL SUB	02-28-09		
REV-2 PLANS STAGED	06-02-06		
REV-1 IDOT COMMENTS	02-03-06	PS&E SUBMITTAL	4-10-09

LC0800

VIDEO DETECTION DETAILS