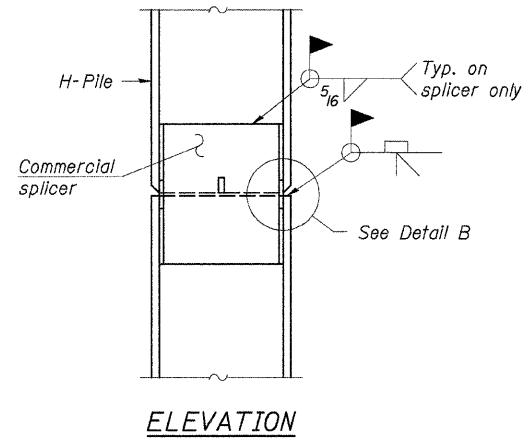
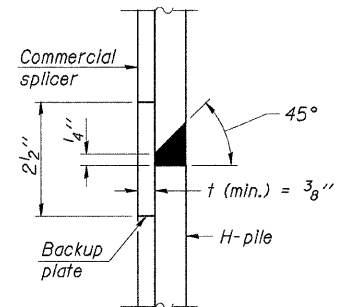


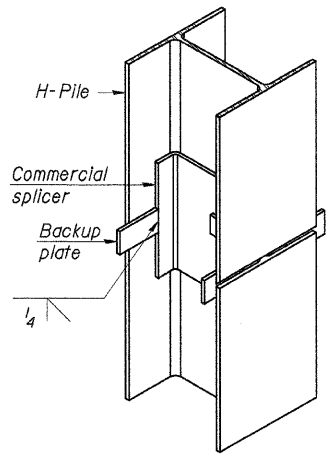
ROUTE NO.	SECTION	COUNTY	TOTAL SHEETS	SHEET NO.
FAS 1045 CH 11	07-00421 -00-BR	WINNEBAGO	18	11
ILLINOIS			CONTRACT NO. 85451	



ELEVATION

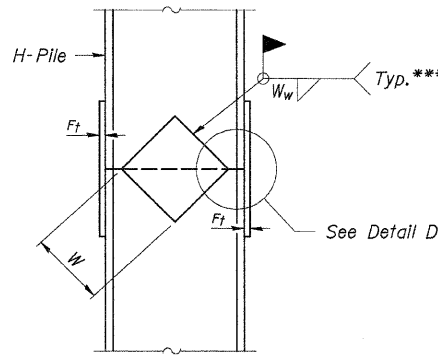


DETAIL "B"

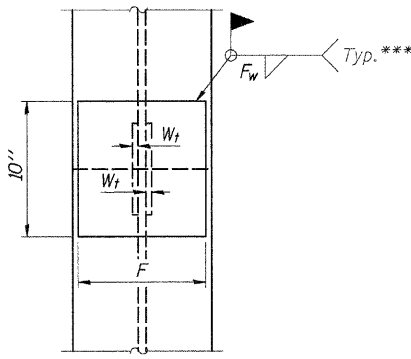


ISOMETRIC VIEW

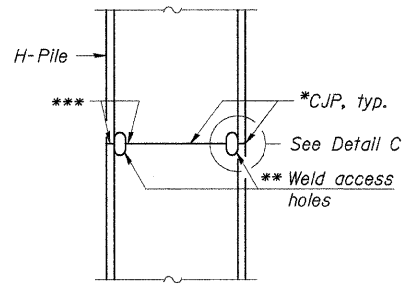
WELDED COMMERCIAL SPLICE



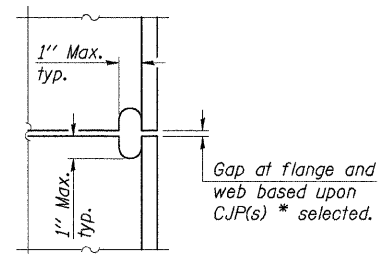
ELEVATION



END VIEW

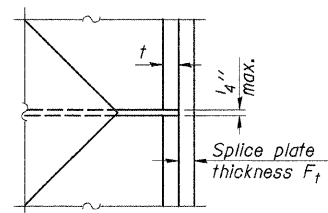


ELEVATION



DETAIL C

COMPLETE PENETRATION WELD SPLICE



DETAIL D

WELDED PLATE FIELD SPLICE

Designation	F	F _t	F _w	W	W _t	W _w
HP 14x117	12 1/2"	1"	7/8"	7 3/4"	5 8/8"	1/2"
x102	12 1/2"	7/8"	3/4"	7 3/4"	5 8/8"	1/2"
x89	12 1/2"	3/4"	1/16"	7 3/4"	5 8/8"	1/2"
x73	12 1/2"	5/8"	9/16"	7 3/4"	5 8/8"	1/2"
HP 12x84	10"	7/8"	1/16"	6 1/2"	5 8/8"	1/2"
x74	10"	7/8"	1/16"	6 1/2"	5 8/8"	1/2"
x63	10"	5/8"	1/2"	6 1/2"	1/2"	3/8"
x53	10"	5/8"	1/2"	6 1/2"	1/2"	3/8"
HP 10x57	8"	3/4"	9/16"	5 1/4"	1/2"	3/8"
x42	8"	5/8"	9/16"	5 1/4"	1/2"	3/8"
HP 8x36	7"	5/8"	7/16"	4 1/4"	1/2"	3/8"

DESIGNED	A.R.K.
CHECKED	J.A.M.
DRAWN	S.A.P.
CHECKED	J.A.M. & A.R.K.

F-HP 11-1-06

- * Use joint conforming to Figure 3.4 in AWS D1.1, Structure Welding Code - Steel.
- ** Preparation per Fig. 5.2 in AWS D1.1, Structure Welding Code - Steel.
- *** Interrupt welds 1/4" from end of each pile.

Note:
The steel H-piles shall be according to AASHTO M270 Grade 50.

**STEEL PILE
SPLICING DETAILS**
SECTION 07-00421-00-BR
F.A.S. ROUTE 1045 - C.H. 11
WINNEBAGO COUNTY
STA. 310+19.92

4440 ASH GROVE SPRINGFIELD, IL 62711 (217) 793-8600 www.fehr-graham.com	FEHR-GRAHAM & ASSOCIATES, LLC ENGINEERING AND SCIENCE CONSULTANTS REPORT, RECORD, & SOCIETY OF PROFESSIONAL ENGINEERS	JOB NO.: 46466 FILE: 46466PILES.DGN DATE: 01/30/09
--	--	--