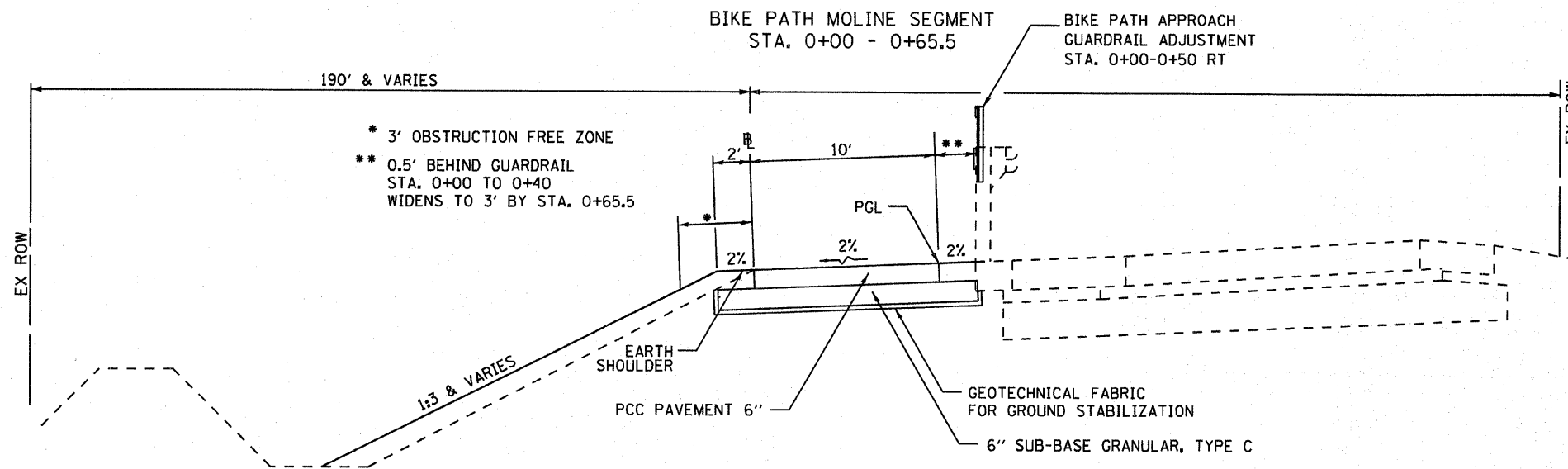


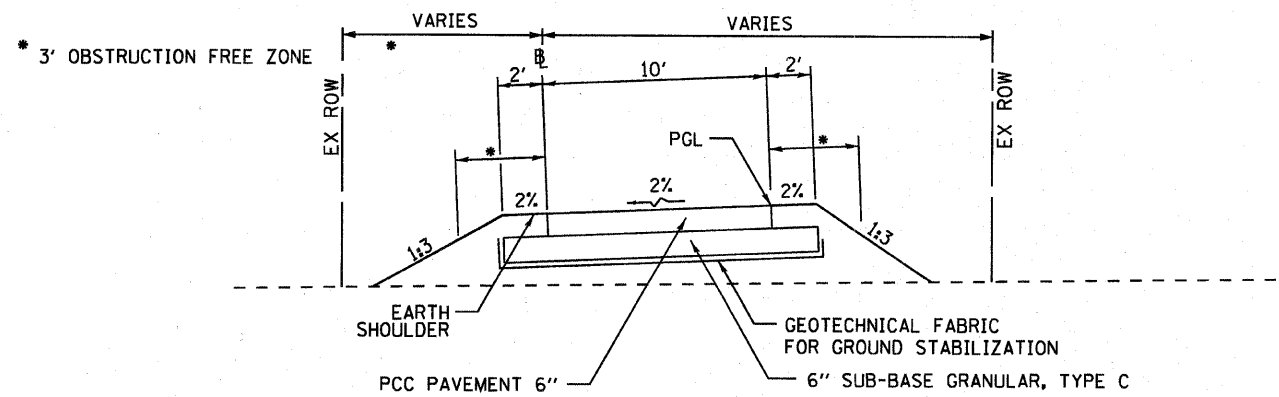
TYPICAL SECTIONS

CONTRACT NO.				
F.A. RTE.	SECTION	COUNTY	TOTAL SHEETS	SHEET NO.
	D6-00233-00-BT	ROCK ISLAND	75	5
STA.		TO STA.		
FED. ROAD DIST. NO.		ILLINOIS FED. AID PROJECT		



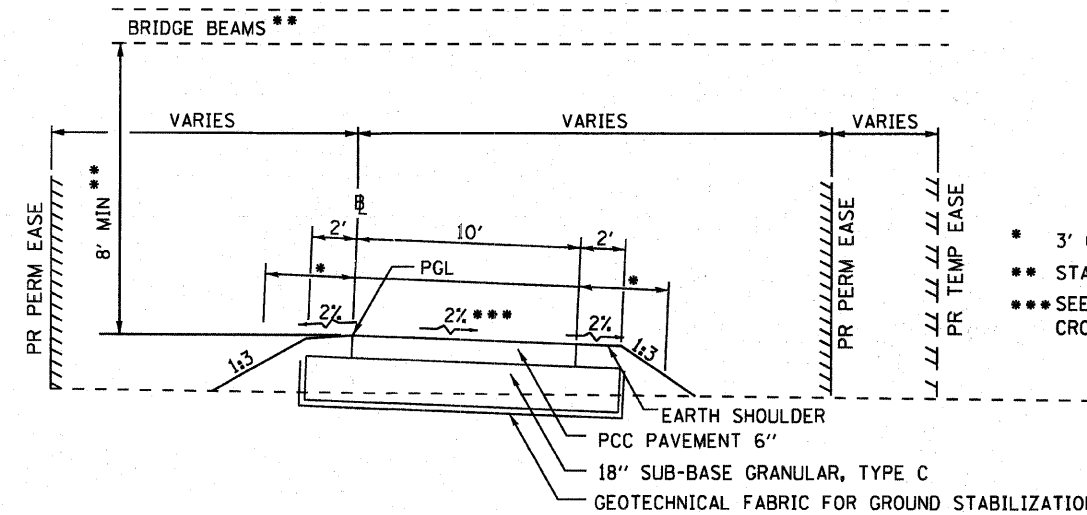
BIKE PATH MOLINE SEGMENT
STA. 0+65.5 - 6+13
OMISSIONS AT PIPE CULVERTS

BIKE PATH ROCK ISLAND SEGMENT
STA. 509+80 - 512+25



BIKE PATH ROCK ISLAND SEGMENT
STA. 500+00 - 509+80

BIKE PATH MOLINE SEGMENT
STA. 6+13 - 27+40
OMISSIONS AT BOX CULVERTS



* 3' OBSTRUCTION FREE ZONE

** STA. 6+15.75 - 7+32.69

*** SEE CROSS SECTIONS FOR CROSS SLOPE DIRECTION

PLOT DATE = #DAYS
FILE NAME = #FILE#
PLOT SCALE = #SCALE#
USER NAME = #USER#

REVISIONS	
NAME	DATE

ILLINOIS DEPARTMENT OF TRANSPORTATION

TYPICAL SECTIONS

SCALE: NTS
DATE 3/31/09

DRAWN BY WEF/PAR
CHECKED BY BAJ