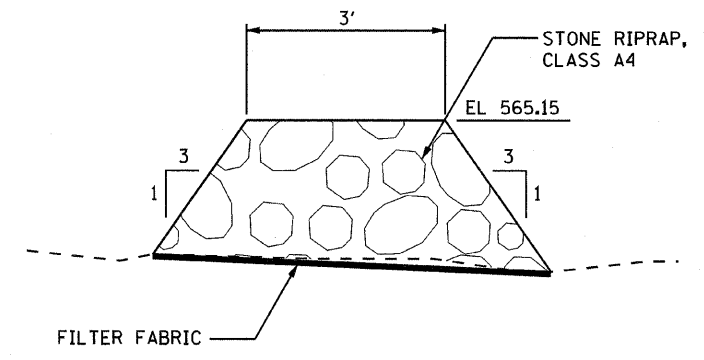
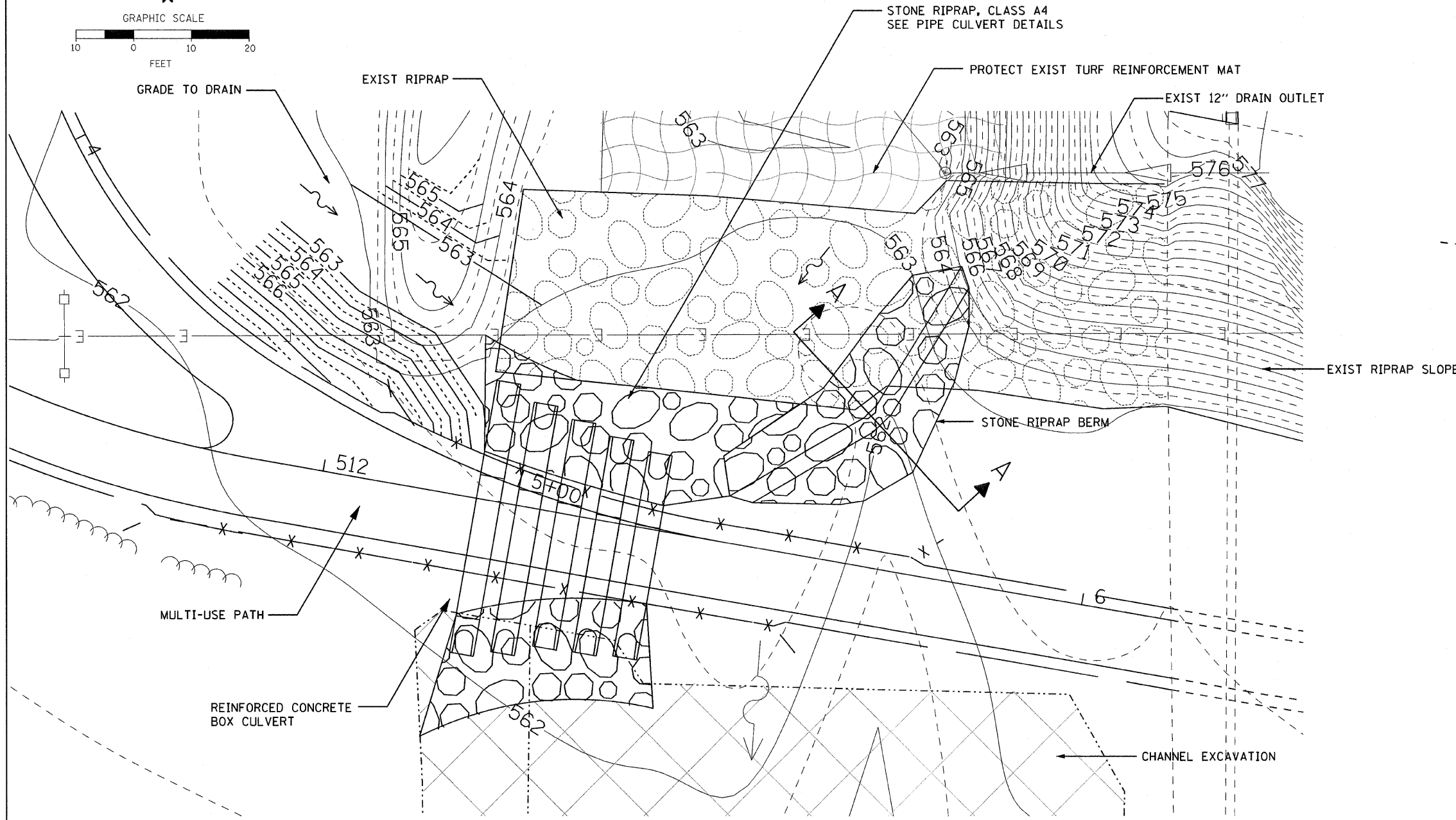
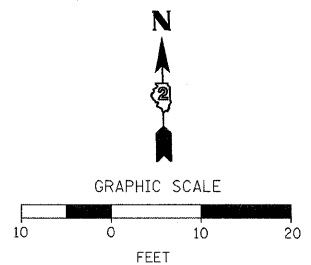


SPECIAL DETAILS

CONTRACT NO.			
F.A. RTE.	SECTION	COUNTY	TOTAL SHEET NO.
D6-00233-00-BT	ROCK ISLAND	75	31
STA.		TO STA.	
FED. ROAD DIST. NO.		ILLINOIS FED. AID PROJECT	



GRADING AND RIPRAP DETAIL

PLOT DATE * * * * *
 FILE NAME * * * * *
 PLOT SCALE * * * * *
 USER NAME * * * * *

REVISIONS	
NAME	DATE

ILLINOIS DEPARTMENT OF TRANSPORTATION

SPECIAL DETAILS

SCALE: 1"=10'
DATE 3/31/09

DRAWN BY PAR
CHECKED BY BAJ