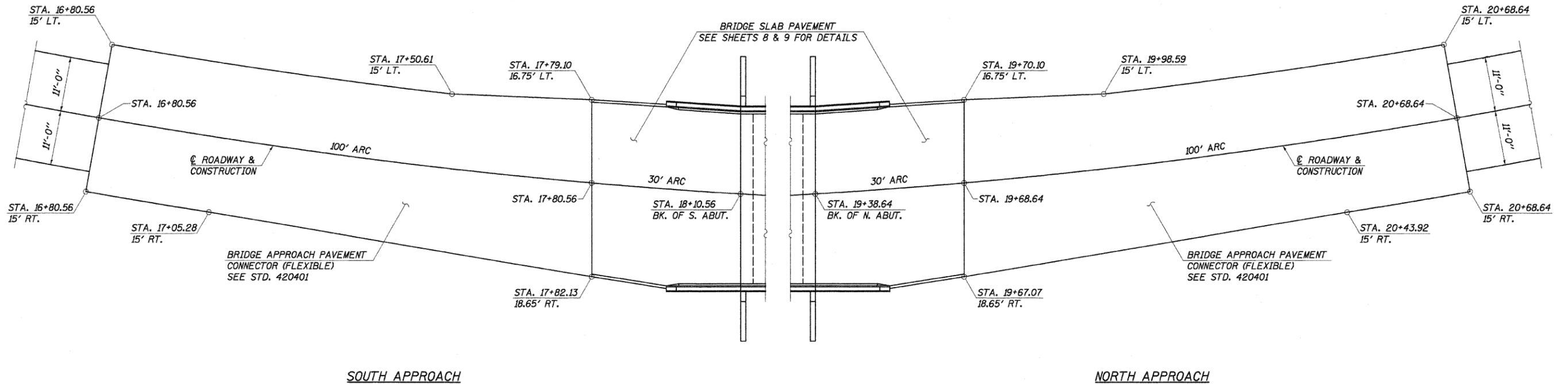


ROUTE NO.	SECTION	COUNTY	TOTAL SHEETS	SHEET NO.
C.H. 3	93-00112-00-BR	JoDAVISS	42	8
ILLINOIS				

CONTRACT NO. 85462



SOUTH APPROACH

NORTH APPROACH

APPROACH PAVEMENT CONNECTOR DETAILS
SEE SHEET 9 FOR SHOULDER AND GUARDRAIL DETAILS

PI STA. = 18+61.48
 $\Delta = 91^\circ 40' 46''$ (LT)
 $D = 5^\circ 12' 31''$
 $R = 1,100.00'$
 $T = 1,132.73'$
 $L = 1,760.12'$
 $E = 478.95'$
P.C. STA. = 7+28.75
P.T. STA. = 24+88.87
S.E. = 0.06 FT./FT.
TRANSITION
STA. 5+96.75 TO STA. 7+72.75
STA. 24+44.87 TO STA. 26+20.87

APPROACH PAVEMENT CONNECTOR SCHEDULE		
LOCATION		BRIDGE APPROACH PAVEMENT CONNECTOR (FLEXIBLE)
		SQ YD
SOUTH APPROACH		349.5
NORTH APPROACH		349.5
TOTAL		699

APPROACH PAVEMENT CONNECTOR DETAILS
SECTION 93-00112-00-BR
JoDAVISS COUNTY
COUNTY HIGHWAY 3
STATION 18+74.60

4440 ASH GROVE
SPRINGFIELD, IL. 62711
(217) 793-8600
www.fehr-graham.com

FEHR-GRAHAM & ASSOCIATES, LLC
ENGINEERING AND SCIENCE CONSULTANTS
PROFESSOR, R. SCOTT, R. BOYD, R. BOYD, R. BOYD, R. BOYD

DRAWN: S.A.P.
DATE: 02/14/07

CHECKED: G.J.C.
DATE: 05/05/08

JOB NO.: 46859
FILE: APPROACH.DGN
DATE: 03/24/09